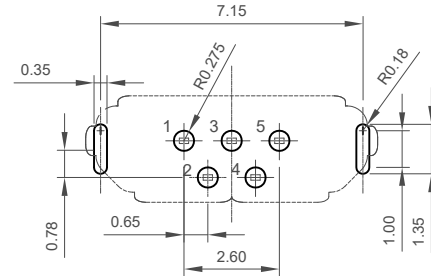
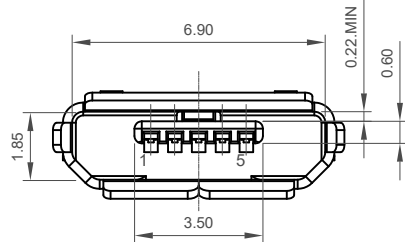
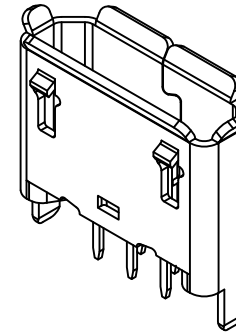
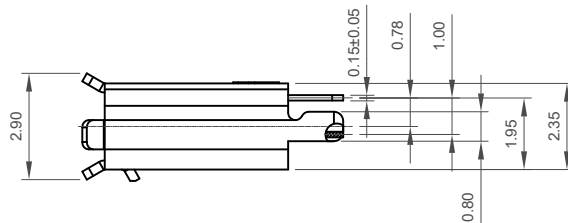
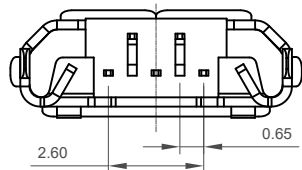
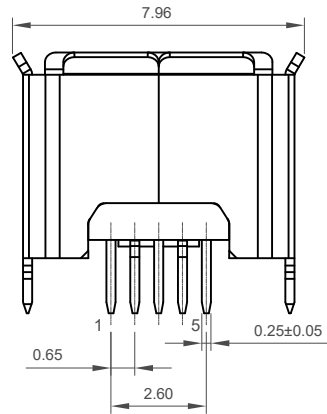


Designed to comply with physical, electrical and environmental requirements of Micro USB Standard (USB2.0), A/B types support USB On-The-Go (OTG) interface.

If you seek longer shell stakes for a thicker PCB (for example 1.60mm (.062")) Please see USB3140 (SMT with cap) or USB3131 / USB3145 (Through-hole)



**Recommended PCB Layout**  
As viewed from component side General Tolerance: ±0.05  
□ Component Outline



**Specifications 规格:**

**Materials 材料:**

Plastic Housing 塑胶外壳: LCP, UL94V-0, Black  
Contact Terminal 接触端子: Copper Alloy  
Metallic Shell 金属外壳: Stainless Steel, SUS304 T=0.25mm

**Plating 电镀:**

Underplating 底层电镀: Nickel 100µ" min.  
Contact Area 接触面积: 30µ" Gold plating  
Solder Tails 焊接末端: Gold Flash  
Metallic Shell 金属外壳: Nickel 80µ" min.

**Electrical 电气规格:**

Voltage Rating 电压额定值: 30 V  
Current Rating 电流额定值: Signal (Pins 2,3,4): 1.0 A  
Power (Pins 1,5): 1.8 A  
Operating Temperature 工作温度: -55°C to +85°C  
Contact Resistance 接触电阻值: 30 mΩ max.  
Insulating Resistance 绝缘电阻值: 1000 MΩ min.  
Dielectric Withstand Voltage 耐电压: 100 V AC/minute

**Mechanical & Environmental 机械 & 环境**

Mating Force 插入力: 35N max.  
Unmating Force 拨出力: Initial 10N min.  
Final 8N min after durability test.  
Durability 耐久性: 10,000 Cycles

**Ordering Grid**

**USB3130 - 30 - A** [Request Samples and Quotation](#)

**Contact Plating**  
30 = 30µ" Gold

**Packing Options**  
A = Tape & Reel  
(1.5K per Reel)

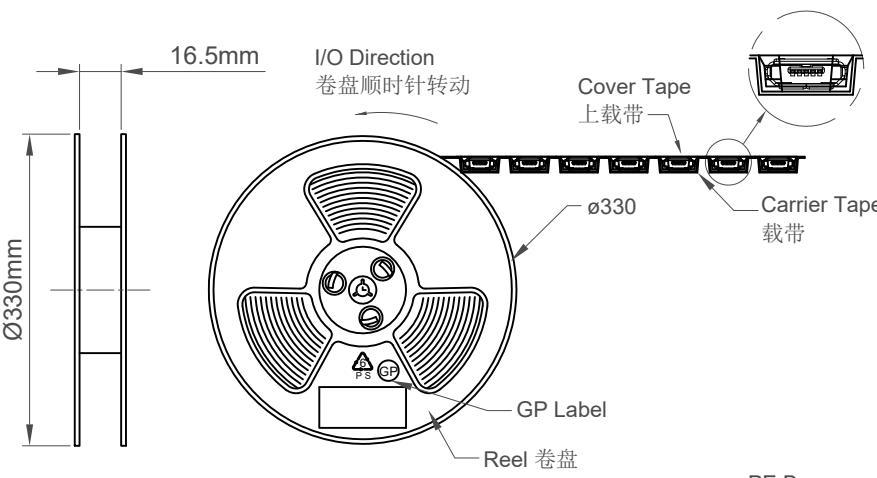
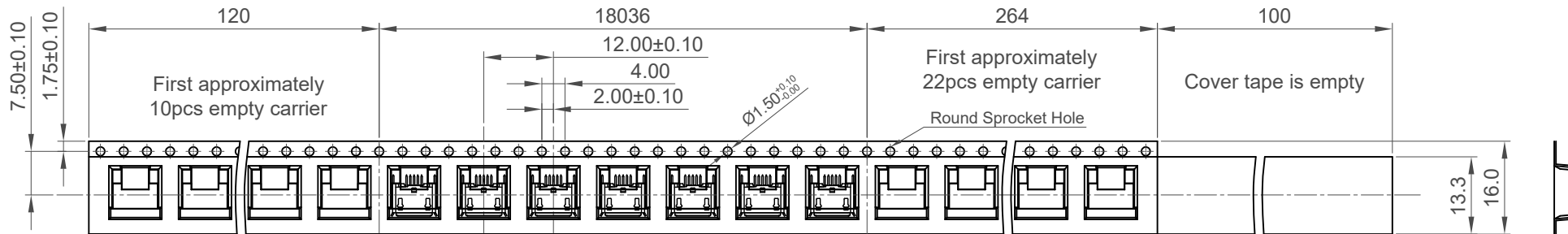
Part Number		Product Description	
USB3130		Micro USB Receptacle, Type B, Through-Hole, Vertical, With 1.5mm Through-Hole Shell Stakes	
Drawing Date		21st October 2011	
By	CC	Tolerances (Except as Noted)	Units:
Detail	USB3130 D PCN	Length	Metric (mm)
Revision	D3	X.X ± 0.35	
Date	23/03/17	X.XX ± 0.25	



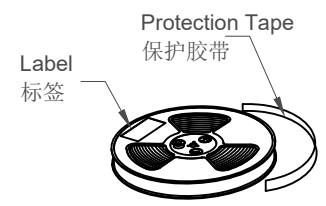
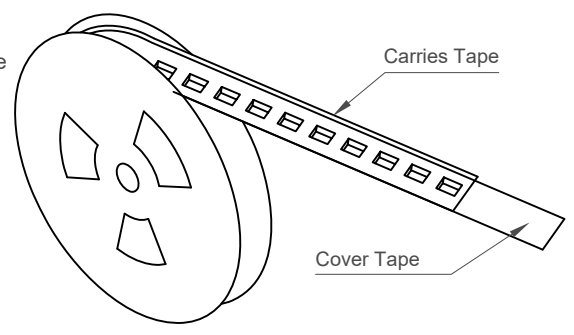
This drawing is confidential and copyright of Global Connector Technology, Ltd (GCT). This drawing must not be copied or disclosed without written consent. E & OE



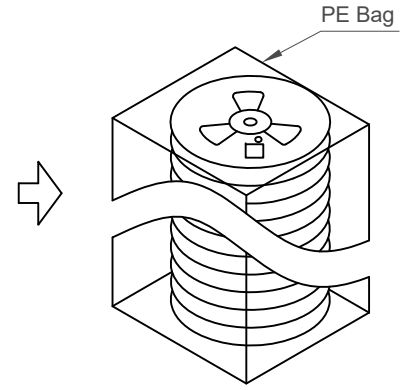
Not to Scale	Drawn By ASE	Sheet No. 1/2
--------------	--------------	---------------



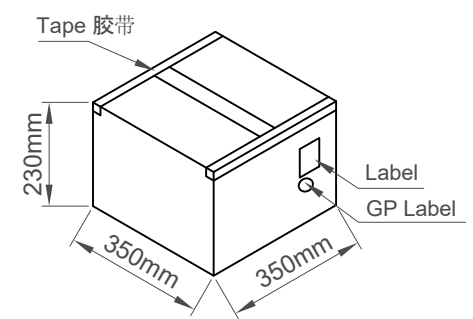
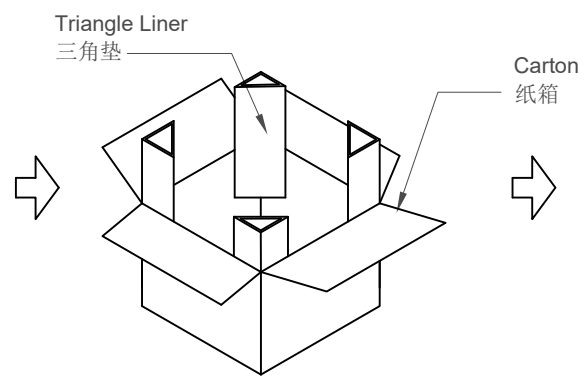
Products P/N	PCS/Reel	Reels/Carton	PCS/Carton
USB3130	1,500	10	15,000



1,500 Pieces/Reel  
1,500 件/卷



10 Reels  
10 卷



Part Number USB3130		Product Description Micro USB Receptacle, Type B, Through-Hole, Vertical, With 1.5mm Through-Hole Shell Stakes	
Drawing Date 21st October 2011			
By CC	Tolerances (Except as Noted) Length	Units: Metric (mm)	
Detail USB3130 D PCN	Angle		
Revision Date D3 23/03/17			This drawing is confidential and copyright of Global Connector Technology, Ltd (GCT). This drawing must not be copied or disclosed without written consent. E & OE



Not to Scale	Drawn By ASE	Sheet No. 2/2
--------------	-----------------	------------------