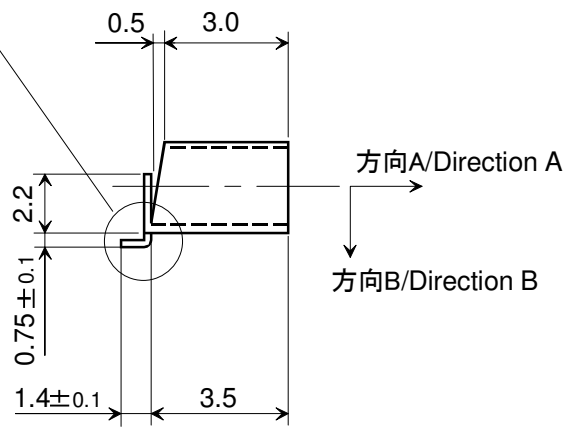
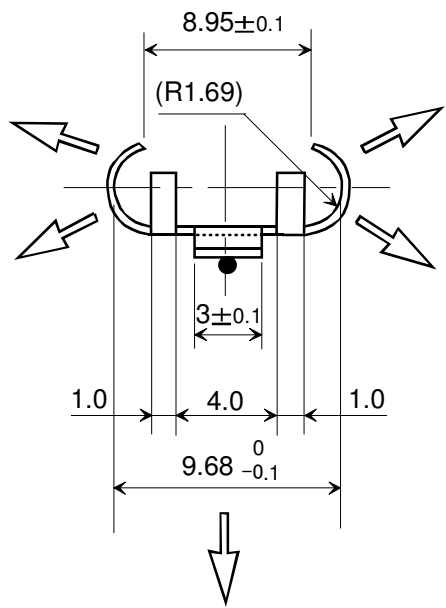
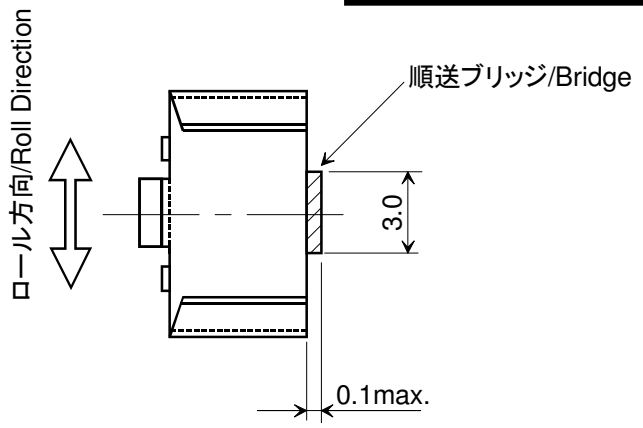
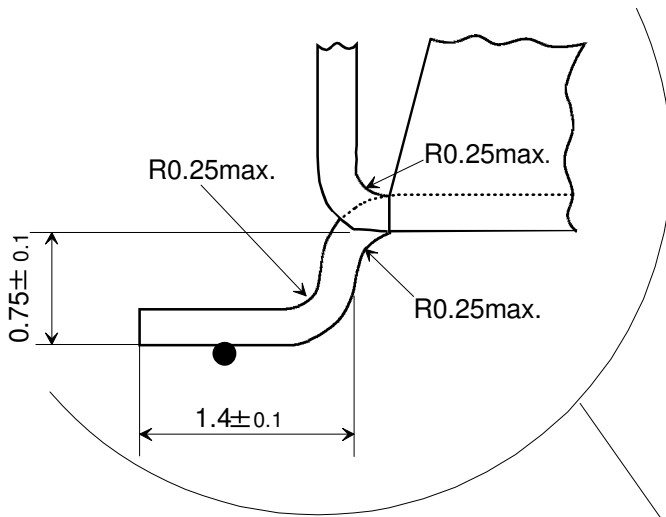


LEAD FREE



※ AT-51(SF2)にクランプ装着後、以下の条件でクランプが外れない事。

※ After attaching a clamp to AT-51(SF2) a clamp must not separate from a cover in the following condition.

方向A/Direction A : 50g min

方向B/Direction B : 100g min

〔注〕 図と現物の形状の比率は若干異なります。

〔Remark〕 The propurtion of scale is different slightly between The document and the actual thing.

← 打ち抜き方向
Press Direction

Dist.	No./Parts No.		No./Purchase Spec. No.		No./Incoming Inspection Spec. No.			
	No.	Parts	Material	Finish			Notes	
	1	Clamp	C7521R-H	Cu0.5~2.5µm (1.0µm) Sn-Cu (Cu 1~4 wt%:2wt%) 6~10 µm (7 µm)/ Cu preplating 0.5 to 2.5 µm, Semigloss(No additive for gloss) Sn-Cu plating finish (Cu 1~4 wt%) 6~10 µm			t = 0.2	
	Date of Revise		Charge	Approved		Reason		
	A							
	Third Angle Projection		Tolerance	±0.2	Scale	3/1	Dimension	mm
	Date	Name	Reference Drawing No.					
	Drawn		Old Drawing No.					
	Designed						Drawing No.	
	Checked						EPP09A-00013	
	Approved						Rev.	