

1 2 3 4 5 6 7 8

A

A

B

B

C

C

D

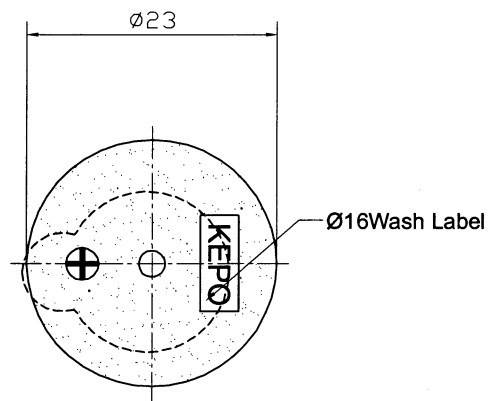
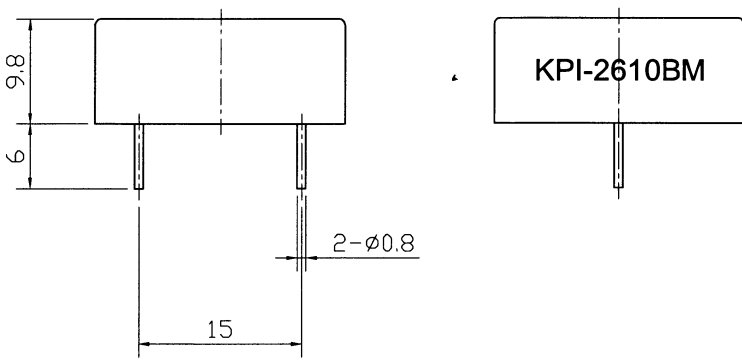
D

E

E

F

F



SPECIFICATION

- 1. Rated Voltage12 VDC
- 2. Operating Voltage5~15VDC
- 3. Max. Rated Current8mA at 12VDC
- 4. Resonant Frequency3.3±0.5KHz
- 5. Min. Sound Pressure Level.....80dB at 12VDC/30cm
- 6. Tone NatureSlow Pulse
- 7. Shell Material/ColorABS/Black
- 8. Operating Temperature-20~+60°C
- 9. Store Temperature-30~+70°C
- 10. Weight2.5g

				KEPO NINGBO KEPO ELECTRONIC CO.,LTD http://www.chinaacoustic.com	
No.	DESCRIPTION	APPROVED	DATE	Piezo Buzzer Quartz-1 KPI-2610BM	
TOLERANCES UNLESS NOTED OTHERWISE XX * XXX * Ø FORMED ±.1* ANGLES .1*		APPROVALS	DATE	UNIT	DWGNO.
FIRST ANGLE PROJECTION		CHECKED		mm	OEM2927
APPROVED			08.05.19	SCALE	NOT TO SCALE SHEET
				VER	1.0

1 2 3 4 5 6 7 8