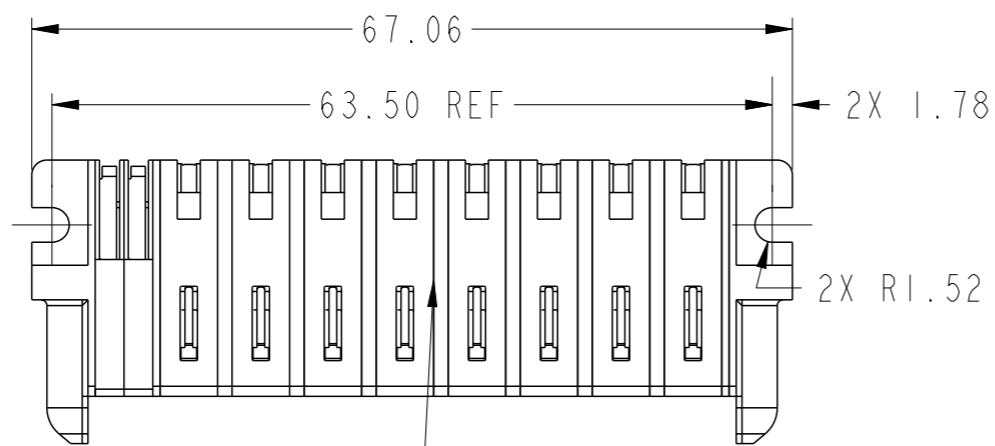
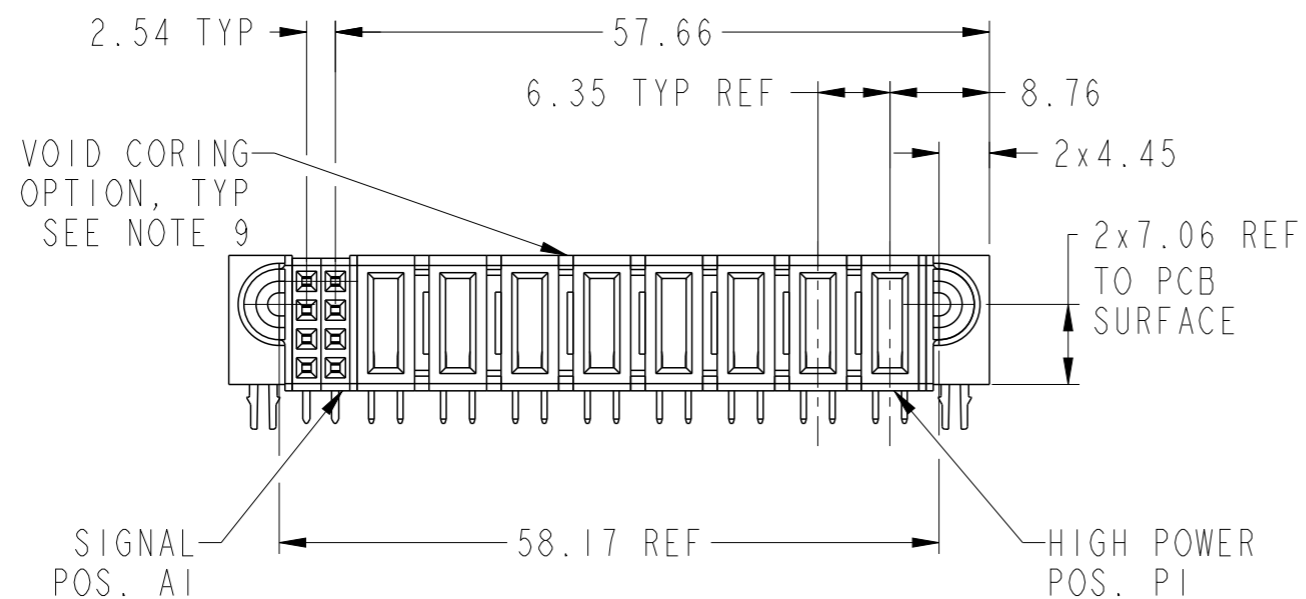


PRODUCT NUMBER SEE SHEET 2

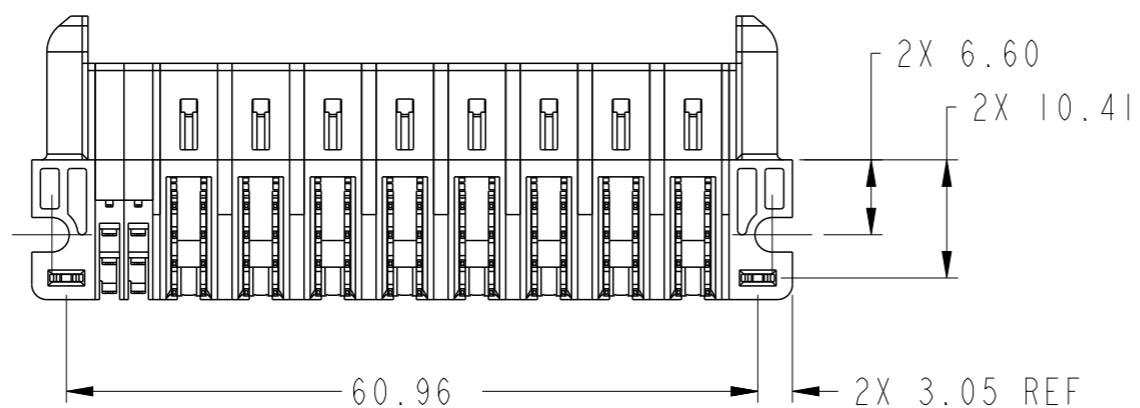
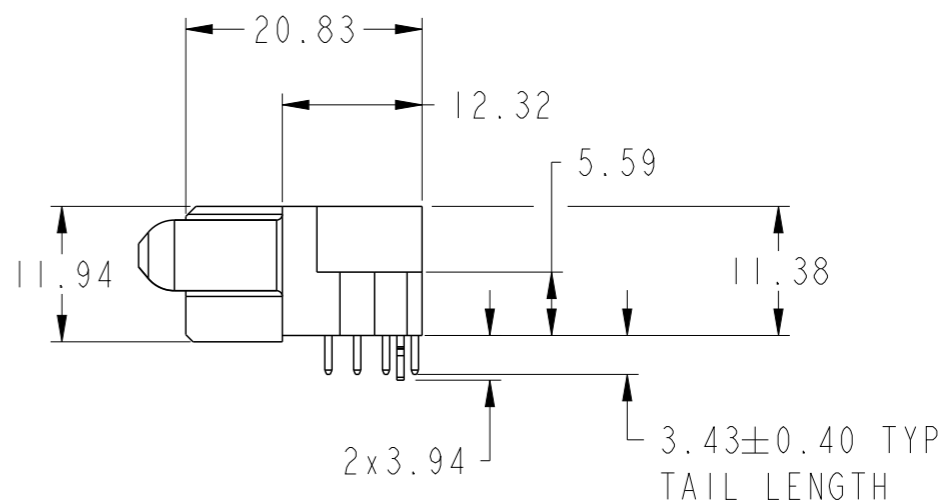


NOTE 1



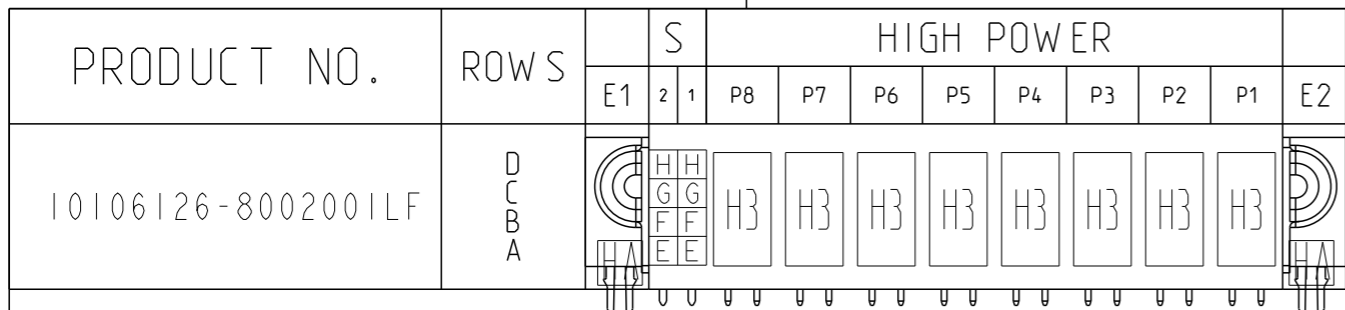
SIGNAL POS. AI

HIGH POWER POS. PI

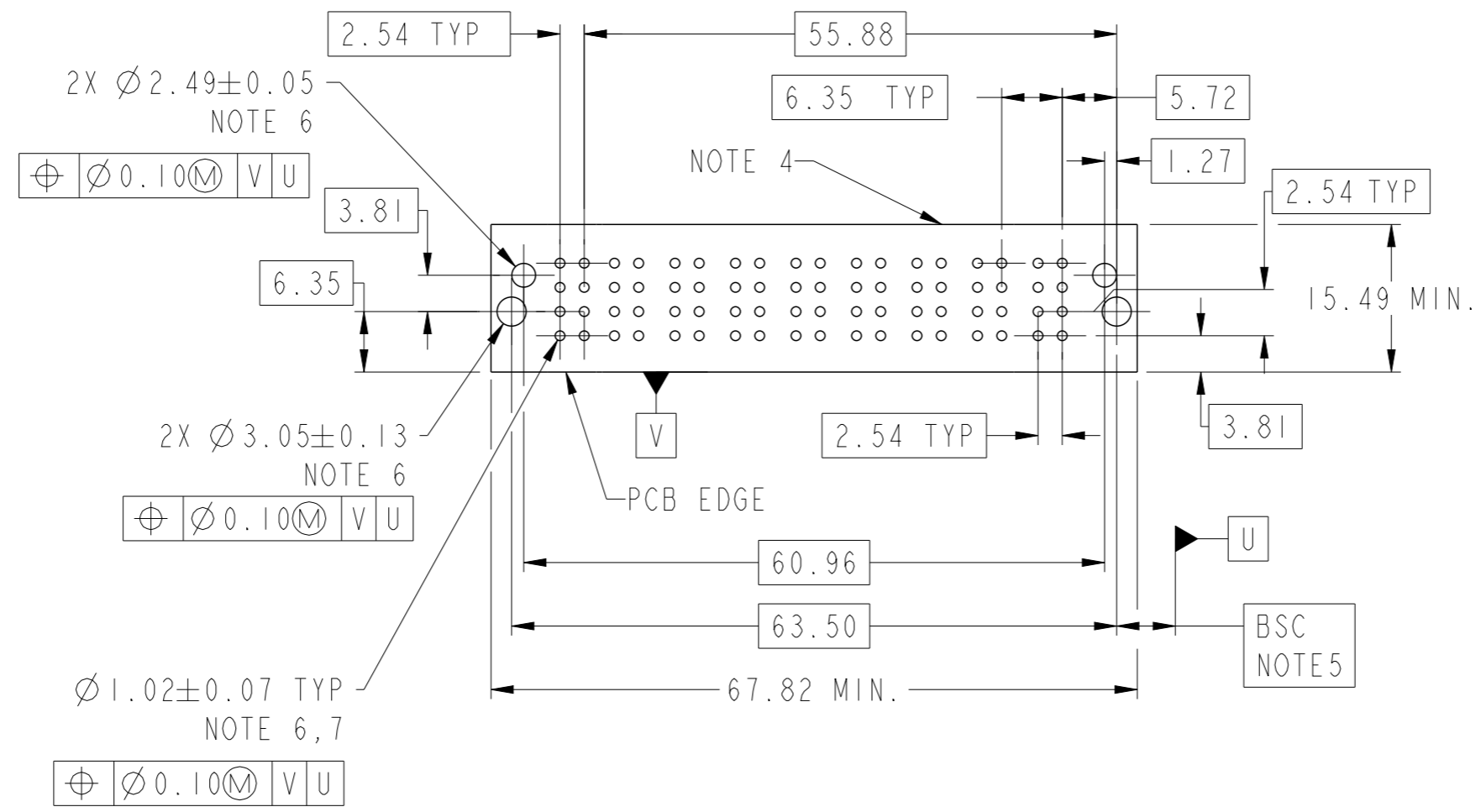


spec ref	*	dr	Zhen-Hua Liu	2015/07/09	projection	MM	size	A3	scale	3:2														
tolerance std	ASME Y14.5	eng	Zhen-Hua Liu	2015/07/17			ecn no	-	rel level	Released														
TOLERANCES UNLESS OTHERWISE SPECIFIED		chr	Fancy Zhang	2015/07/16							product family	PwrBlade+												
surface	<table border="1"> <tr> <td>linear</td> <td>0.X</td> <td>±0.5</td> </tr> <tr> <td></td> <td>0.XX</td> <td>±0.25</td> </tr> <tr> <td></td> <td>0.XXX</td> <td>±0.10</td> </tr> <tr> <td>angular</td> <td>0°</td> <td>±2°</td> </tr> </table>	linear	0.X	±0.5		0.XX	±0.25		0.XXX	±0.10	angular	0°	±2°	appr	Pei-Ming Zheng	2015/07/16			title	8HP + 8S RA STB RECEPTACLE	dwg no	10106126-8002001	rev	A
linear	0.X	±0.5																						
	0.XX	±0.25																						
	0.XXX	±0.10																						
angular	0°	±2°																						
ASME Y14.5		www.fci.com	cat. no.	Product - Customer Drw		sheet 1 of 3																		

Copyright FCI. FCI



CODE	DESCRIPTION
E	STD SIGNAL CONTACT, ROW A
F	STD SIGNAL CONTACT, ROW B
G	STD SIGNAL CONTACT, ROW C
H	STD SIGNAL CONTACT, ROW D
H3	STD HIGH POWER CONTACT(3.43)
HA	METAL HOLD DOWN

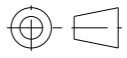
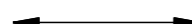



dr	Zhen-Hua Liu	2015/07/09	projection	MM	size	A3	scale	3:2			
eng	Zhen-Hua Liu	2015/07/17			ecn no	-	rel level	Released			
chr	Fancy Zhang	2015/07/16									
appr	Pei-Ming Zheng	2015/07/16	product family	PwrBlade+							
			title		8HP + 8S		dwg no		10106126-8002001	rev	A
www.fci.com			cat. no.		Product - Customer Drw			sheet 2 of 3			

Copyright FCI.

NOTES:

- 1) "FCI", PART NUMBER AND DATE CODE TO BE MARKED ON THIS SURFACE.  
THE MARK CAN BE OMITTED IF THERE IS NOT ENOUGH SPACE ON THIS SURFACE.
- 2) MATERIALS:  
-HOUSING - GLASS FILLED WITH HIGH TEMP THERMOPLASTIC, UL94V-0.  
-SIGNAL CONTACT - COPPER ALLOY.  
-POWER CONTACT - HIGH CONDUCTIVITY COPPER ALLOY.
- 3) PLATING SPECIFICATION :10116351
- 4) DENOTES CONNECTOR KEEP OUT ZONE.
- 5) DATUM AND BASIC DIMENIONS WERE ESTABLISHED BY CUSTOMER.
- 6) ALL HOLE DIAMETERS ARE FINISHED HOLE SIZES.
- 7)  $1.15 \pm 0.025$ MM DRILLED HOLE PLATED WITH 0.00762MM MIN Sn  
OVER 0.0254-0.0762MM Cu PLATING TO ACHIEVE A  $1.02 \pm 0.07$ MM HOLE.
- 8) PRODUCT SPECIFICATION : GS-12-658.  
APPLICATION SPECIFICATION : GS-20-141.  
PRODUCT PACKAGE SPECIFICATION : GS-14-1502.
- 9) THE VOID CORING IN BETWEEN POWER MODULES, SIGNAL  
MODULES AND END MODULES ARE OPTIONAL AND THE SHAPE  
MAY BE DIFFERENT FOR OPTIMIZE THE MOLDING PROCESS. THE  
VOID CORING WILL NOT EFFECT TO PRODUCT FUNCTION.

dr	Zhen-Hua Liu	2015/07/09	projection 	MM 	size	A3	scale	3:2
eng	Zhen-Hua Liu	2015/07/17			ecn no	-		
chr	Fancy Zhang	2015/07/16			product family	PwrBlade+	rel level	Released
appr	Pei-Ming Zheng	2015/07/16						
		title 8HP + 8S RA STB RECEPTACLE	cat. no. Product - Customer Drw	dwg no 10106126-8002001	rev A	sheet 3 of 3		



Copyright FCI.