

C3M0045065K

Silicon Carbide Power MOSFET

C3M™ MOSFET Technology

N-Channel Enhancement Mode

Features

- C3M™ SiC MOSFET technology
- Optimized package with separate driver source pin
- 8mm of creepage distance between drain and source
- High blocking voltage with low on-resistance
- High-speed switching with low capacitances
- Fast intrinsic diode with low reverse recovery (Q_{rr})
- Halogen free, RoHS compliant

Benefits

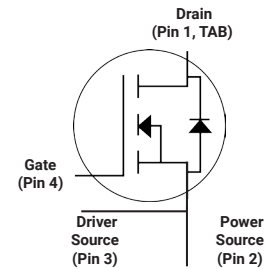
- Reduce switching losses and minimize gate ringing
- Higher system efficiency
- Reduce cooling requirements
- Increase power density
- Increase system switching frequency

Applications

- EV chargers
- Server & Telecom PSU
- UPS
- Solar inverters
- SMPS
- DC/DC converters

| | |
|--------------------------|-------|
| V_{DS} | 650 V |
| $I_D @ 25^\circ\text{C}$ | 49 A |
| $R_{DS(on)}$ | 45 mΩ |

Package



| Part Number | Package | Marking |
|-------------|----------|-------------|
| C3M0045065K | TO 247-4 | C3M0045065K |

Maximum Ratings

| Symbol | Parameter | Value | Unit | Note |
|----------------|--|-------------|------------------|---------|
| V_{DSS} | Drain - Source Voltage, $T_C = 25^\circ\text{C}$ | 650 | V | |
| V_{GS} | Gate - Source voltage (Under transient events < 100 ns) | -8/+19 | V | Fig. 29 |
| I_D | Continuous Drain Current, $V_{GS} = 15\text{ V}$, $T_C = 25^\circ\text{C}$ | 49 | A | Fig. 19 |
| | Continuous Drain Current, $V_{GS} = 15\text{ V}$, $T_C = 100^\circ\text{C}$ | 35 | | |
| $I_{D(pulse)}$ | Pulsed Drain Current, Pulse width t_p limited by T_{jmax} | 132 | A | |
| P_D | Power Dissipation, $T_C = 25^\circ\text{C}$, $T_J = 175^\circ\text{C}$ | 176 | W | Fig. 20 |
| T_J, T_{stg} | Operating Junction and Storage Temperature | -40 to +175 | $^\circ\text{C}$ | |
| T_L | Solder Temperature, 1.6mm (0.063") from case for 10s | 260 | $^\circ\text{C}$ | |
| M_d | Mounting Torque, (M3 or 6-32 screw) | 1 | Nm | |
| | | 8.8 | | |

| Symbol | Parameter | Min. | Typ. | Max. | Unit | Test Conditions | Note |
|---------------|---|------|------|------|---------------|--|--------------|
| $V_{(BR)DSS}$ | Drain-Source Breakdown Voltage | 650 | | | V | $V_{GS} = 0\text{ V}, I_D = 100\ \mu\text{A}$ | |
| V_{GSon} | Gate-Source Recommended Turn-On Voltage | | 15 | | V | Static | Fig. 29 |
| V_{GSoff} | Gate-Source Recommended Turn-Off Voltage | | -4 | | V | | |
| $V_{GS(th)}$ | Gate Threshold Voltage | 1.8 | 2.6 | 3.6 | V | $V_{DS} = V_{GS}, I_D = 4.84\ \text{mA}$ | Fig. 11 |
| | | | 2.2 | | V | $V_{DS} = V_{GS}, I_D = 4.84\ \text{mA}, T_J = 175^\circ\text{C}$ | |
| I_{DSS} | Zero Gate Voltage Drain Current | | 1 | 50 | μA | $V_{DS} = 650\ \text{V}, V_{GS} = 0\ \text{V}$ | |
| I_{GSS} | Gate-Source Leakage Current | | 10 | 250 | nA | $V_{GS} = 15\ \text{V}, V_{DS} = 0\ \text{V}$ | |
| $R_{DS(on)}$ | Drain-Source On-State Resistance | | 45 | 60 | m Ω | $V_{GS} = 15\ \text{V}, I_D = 17.6\ \text{A}$ | Fig. 4, 5, 6 |
| | | | 61 | | | $V_{GS} = 15\ \text{V}, I_D = 17.6\ \text{A}, T_J = 175^\circ\text{C}$ | |
| g_{fs} | Transconductance | | 12 | | S | $V_{DS} = 20\ \text{V}, I_{DS} = 17.6\ \text{A}$ | Fig. 7 |
| | | | 11 | | | $V_{DS} = 20\ \text{V}, I_{DS} = 17.6\ \text{A}, T_J = 175^\circ\text{C}$ | |
| C_{iss} | Input Capacitance | | 1621 | | pF | $V_{GS} = 0\ \text{V}, V_{DS} = 0\ \text{V to } 600\ \text{V}$ $F = 1\ \text{MHz}$ $V_{AC} = 25\ \text{mV}$ | Fig. 17, 18 |
| C_{oss} | Output Capacitance | | 101 | | | | |
| C_{rss} | Reverse Transfer Capacitance | | 8 | | | | |
| $C_{o(er)}$ | Effective Output Capacitance (Energy Related) | | 126 | | | $V_{GS} = 0\ \text{V}, V_{DS} = 0\ \text{V to } 400\ \text{V}$ | Note: 1 |
| $C_{o(tr)}$ | Effective Output Capacitance (Time Related) | | 178 | | | | Note: 1 |
| E_{oss} | C_{oss} Stored Energy | | 20 | | μJ | $V_{DS} = 600\ \text{V}, F = 1\ \text{MHz}$ | Fig. 16 |
| E_{ON} | Turn-On Switching Energy (Body Diode) | | 57 | | μJ | $V_{DS} = 400\ \text{V}, V_{GS} = -4\ \text{V}/15\ \text{V}, I_D = 17.6\ \text{A},$ $R_{G(ext)} = 2.5\ \Omega, L = 99\ \mu\text{H}, T_J = 175^\circ\text{C}$ FWD = Internal Body Diode of MOSFET | Fig. 25 |
| E_{OFF} | Turn Off Switching Energy (Body Diode) | | 14 | | | | |
| E_{ON} | Turn-On Switching Energy (External Diode) | | 44 | | μJ | $V_{DS} = 400\ \text{V}, V_{GS} = -4\ \text{V}/15\ \text{V}, I_D = 17.6\ \text{A},$ $R_{G(ext)} = 2.5\ \Omega, L = 99\ \mu\text{H}, T_J = 175^\circ\text{C}$ FWD = External SiC DIODE | Fig. 25 |
| E_{OFF} | Turn Off Switching Energy (External Diode) | | 14 | | | | |
| $t_{d(on)}$ | Turn-On Delay Time | | 9 | | ns | $V_{DD} = 400\ \text{V}, V_{GS} = -4\ \text{V}/15\ \text{V}$ $I_D = 17.6\ \text{A}, R_{G(ext)} = 2.5\ \Omega, L = 99\ \mu\text{H}$ Timing relative to V_{DS} Inductive load | Fig. 26 |
| t_r | Rise Time | | 12 | | | | |
| $t_{d(off)}$ | Turn-Off Delay Time | | 18 | | | | |
| t_f | Fall Time | | 6 | | | | |
| $R_{G(int)}$ | Internal Gate Resistance | | 3 | | Ω | $f = 1\ \text{MHz}, V_{AC} = 25\ \text{mV}$ | |
| Q_{gs} | Gate to Source Charge | | 21 | | nC | $V_{DS} = 400\ \text{V}, V_{GS} = -4\ \text{V}/15\ \text{V}$ $I_D = 17.6\ \text{A}$ Per IEC60747-8-4 pg 21 | Fig. 12 |
| Q_{gd} | Gate to Drain Charge | | 18 | | | | |
| Q_g | Total Gate Charge | | 63 | | | | |

Note (1): $C_{o(er)}$, a lumped capacitance that gives same stored energy as C_{oss} while V_{ds} is rising from 0 to 400V

$C_{o(tr)}$, a lumped capacitance that gives same charging time as C_{oss} while V_{ds} is rising from 0 to 400V

Reverse Diode Characteristics ($T_c = 25^\circ\text{C}$ unless otherwise specified)

| Symbol | Parameter | Typ. | Max. | Unit | Test Conditions | Note |
|----------------|----------------------------------|------|------|------|---|---------------|
| V_{SD} | Diode Forward Voltage | 4.8 | | V | $V_{GS} = -4\text{ V}, I_{SD} = 8.8\text{ A}, T_J = 25^\circ\text{C}$ | Fig. 8, 9, 10 |
| | | 4.2 | | V | $V_{GS} = -4\text{ V}, I_{SD} = 8.8\text{ A}, T_J = 175^\circ\text{C}$ | |
| I_S | Continuous Diode Forward Current | | 29 | A | $V_{GS} = -4\text{ V}, T_c = 25^\circ\text{C}$ | |
| $I_{S, pulse}$ | Diode pulse Current | | 132 | A | $V_{GS} = -4\text{ V}$, pulse width t_p limited by T_{jmax} | |
| t_{rr} | Reverse Recover time | 13 | | ns | $V_{GS} = -4\text{ V}, I_{SD} = 17.6\text{ A}, V_R = 400\text{ V}$ $dif/dt = 5215\text{ A}/\mu\text{s}, T_J = 175^\circ\text{C}$ | |
| Q_{rr} | Reverse Recovery Charge | 247 | | nC | | |
| I_{rrm} | Peak Reverse Recovery Current | 36 | | A | | |
| t_{rr} | Reverse Recover time | 18 | | ns | $V_{GS} = -4\text{ V}, I_{SD} = 17.6\text{ A}, V_R = 400\text{ V}$ $dif/dt = 1775\text{ A}/\mu\text{s}, T_J = 175^\circ\text{C}$ | |
| Q_{rr} | Reverse Recovery Charge | 171 | | nC | | |
| I_{rrm} | Peak Reverse Recovery Current | 16 | | A | | |

Thermal Characteristics

| Symbol | Parameter | Typ. | Unit | Test Conditions | Note |
|-----------------|---|------|---------------------------|-----------------|---------|
| $R_{\theta JC}$ | Thermal Resistance from Junction to Case | 0.85 | $^\circ\text{C}/\text{W}$ | | Fig. 21 |
| $R_{\theta JA}$ | Thermal Resistance From Junction to Ambient | 40 | | | |

Typical Performance

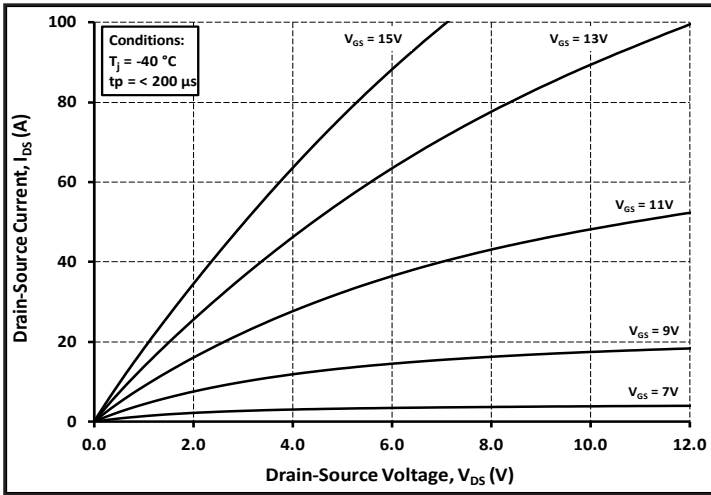


Figure 1. Output Characteristics $T_J = -40\text{ }^\circ\text{C}$

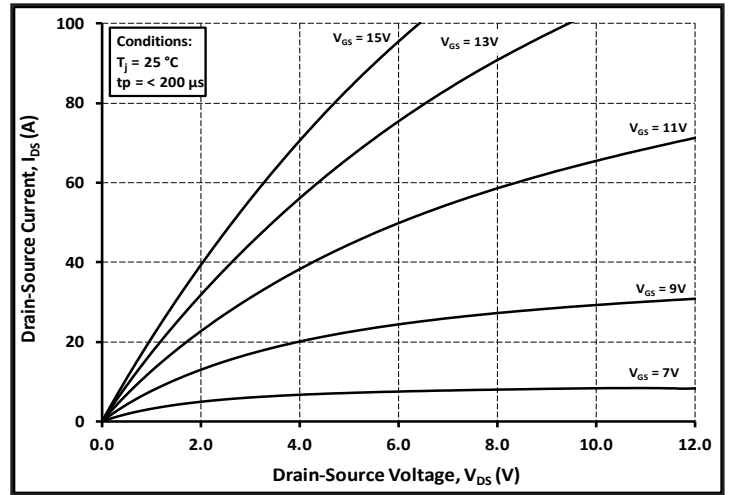


Figure 2. Output Characteristics $T_J = 25\text{ }^\circ\text{C}$

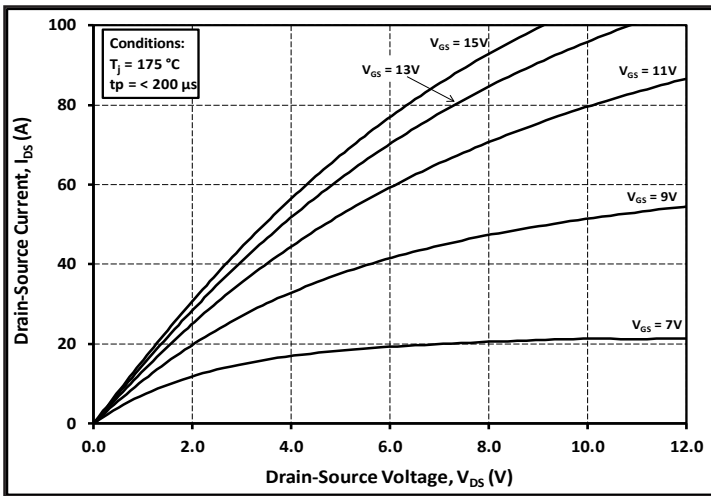


Figure 3. Output Characteristics $T_J = 175\text{ }^\circ\text{C}$

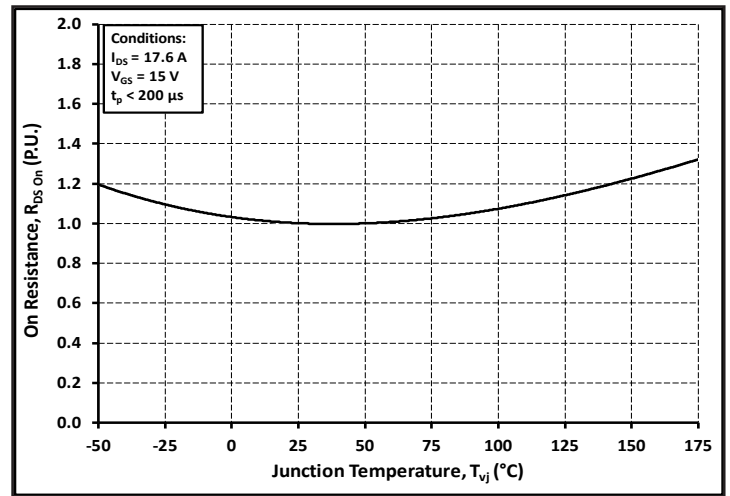


Figure 4. Normalized On-Resistance vs. Temperature

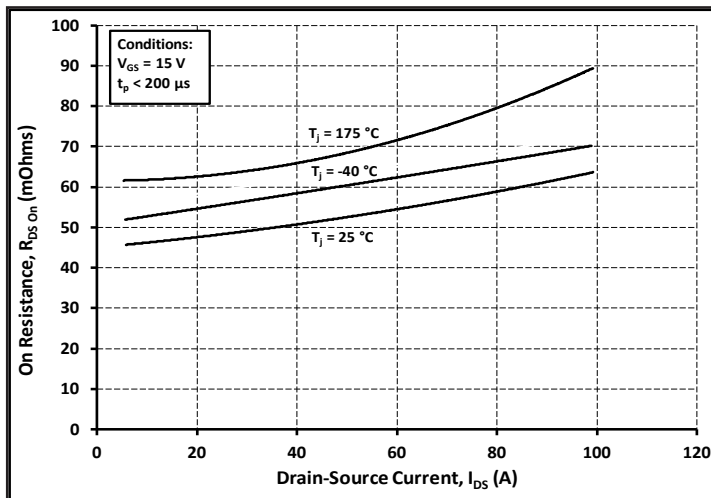


Figure 5. On-Resistance vs. Drain Current For Various Temperatures

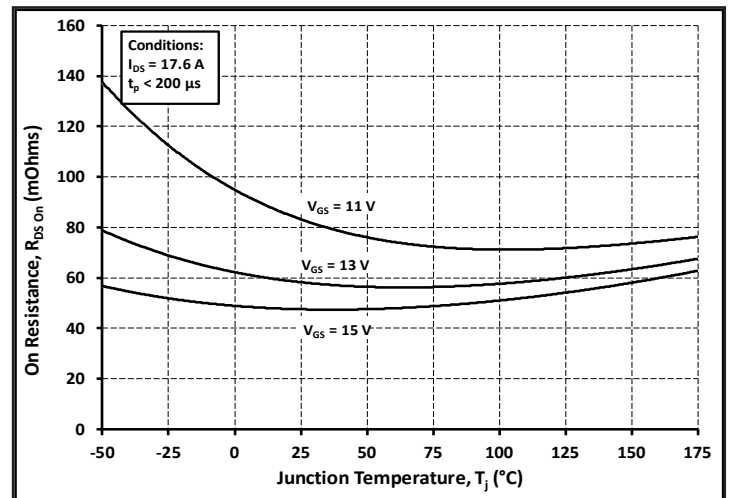


Figure 6. On-Resistance vs. Temperature For Various Gate Voltage

Typical Performance

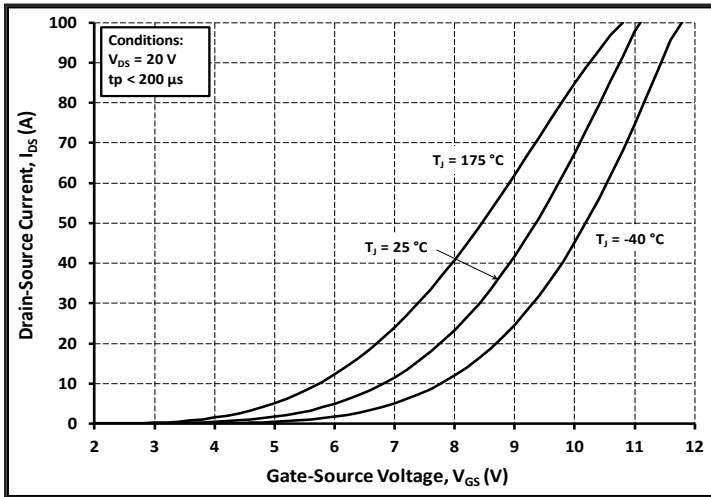


Figure 7. Transfer Characteristic for Various Junction Temperatures

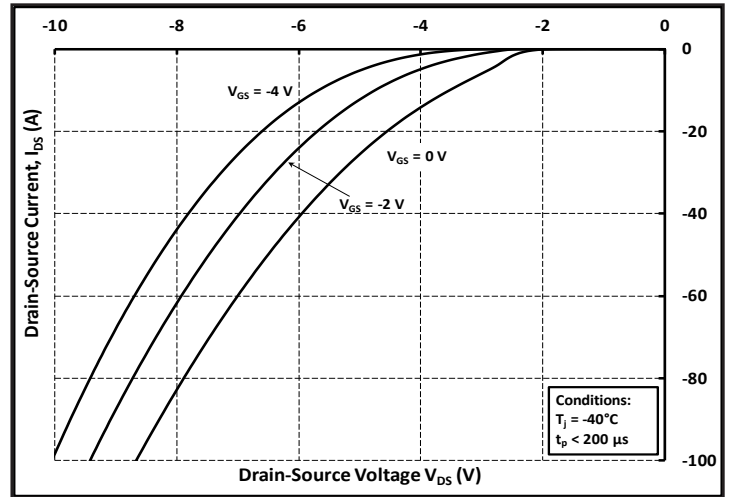


Figure 8. Body Diode Characteristic at -40 °C

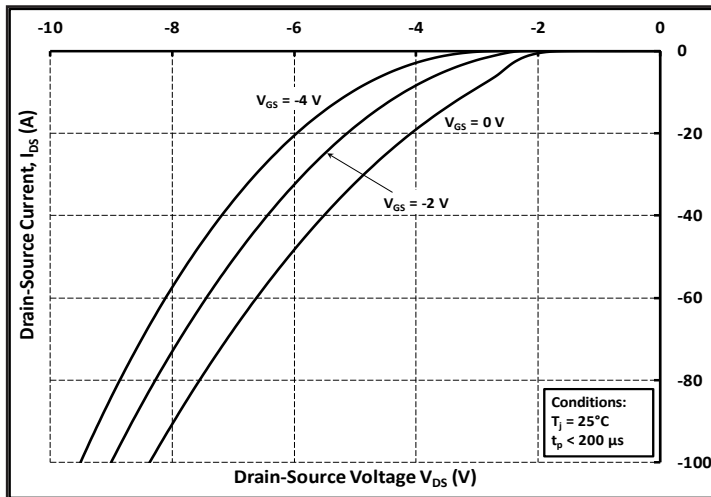


Figure 9. Body Diode Characteristic at 25 °C

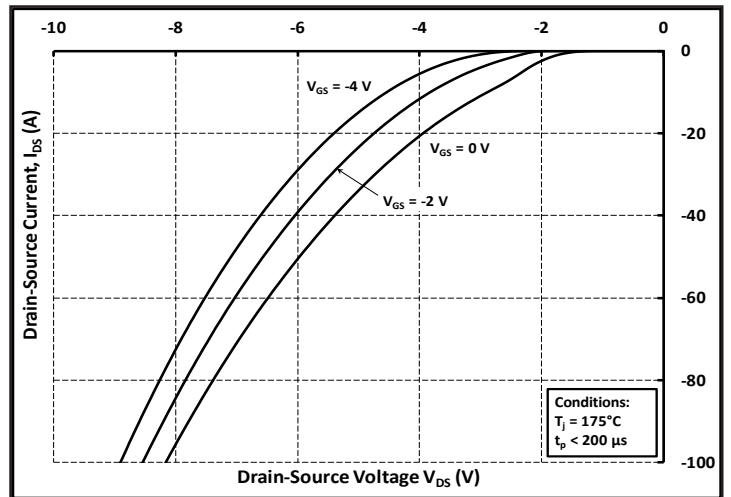


Figure 10. Body Diode Characteristic at 175 °C

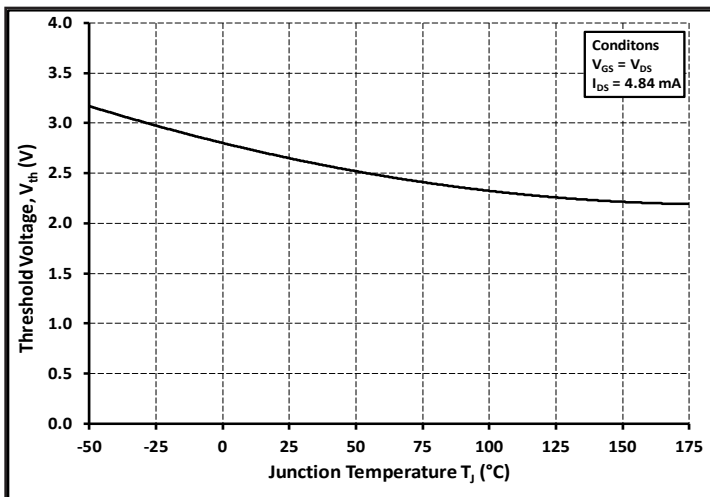


Figure 11. Threshold Voltage vs. Temperature

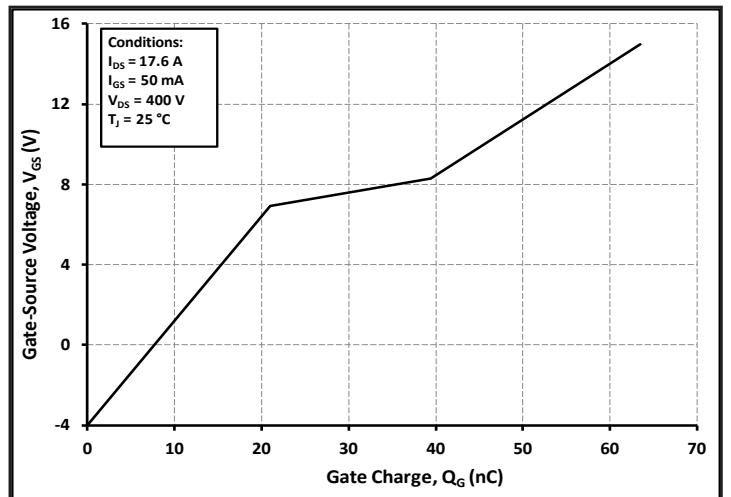


Figure 12. Gate Charge Characteristics

Typical Performance

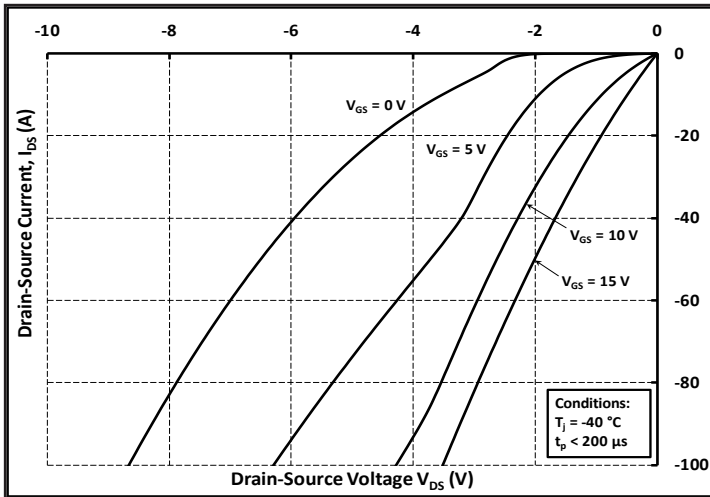


Figure 13. 3rd Quadrant Characteristic at $-40\text{ }^\circ\text{C}$

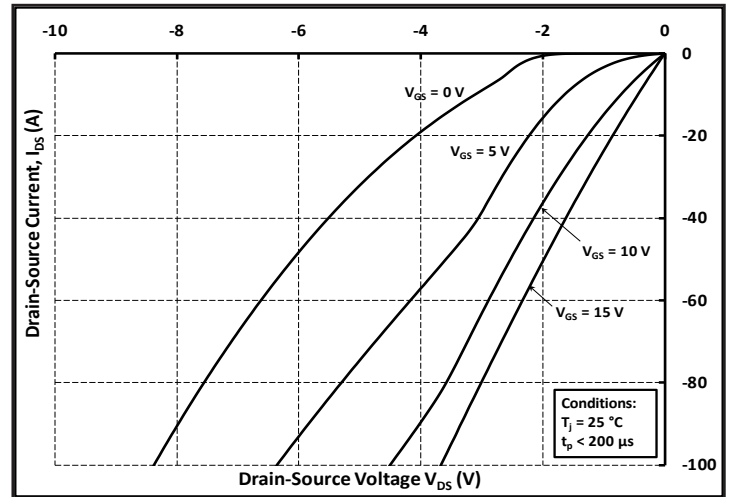


Figure 14. 3rd Quadrant Characteristic at $25\text{ }^\circ\text{C}$

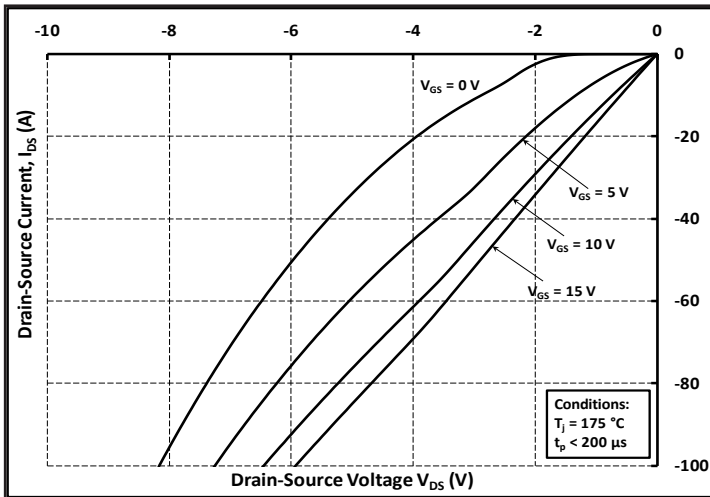


Figure 15. 3rd Quadrant Characteristic at $175\text{ }^\circ\text{C}$

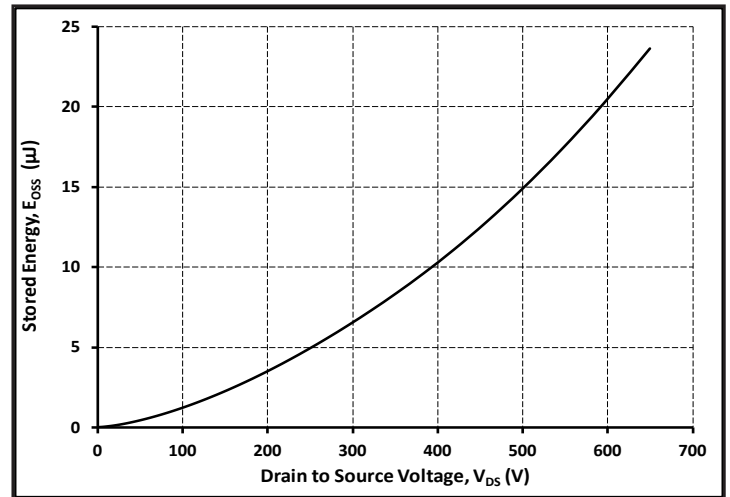


Figure 16. Output Capacitor Stored Energy

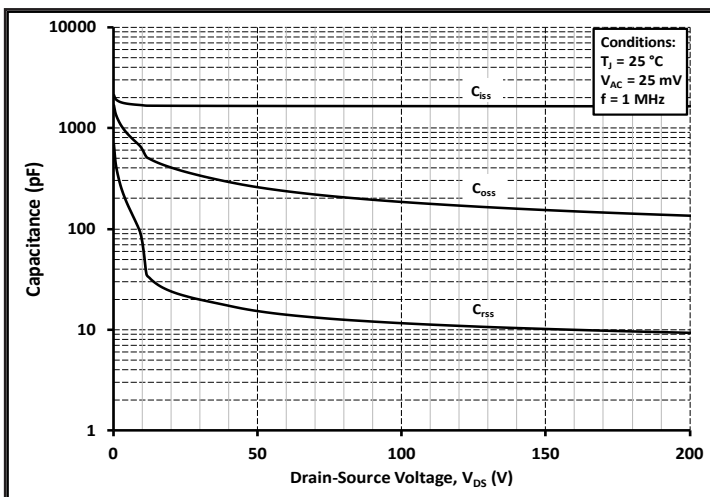


Figure 17. Capacitances vs. Drain-Source Voltage (0 - 200V)

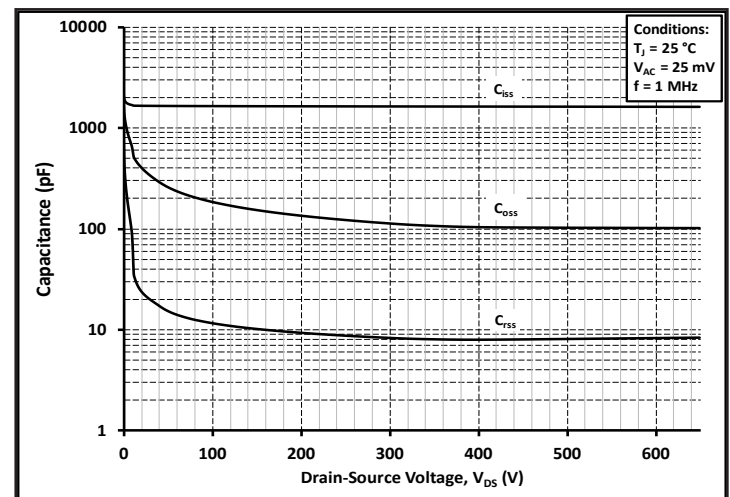


Figure 18. Capacitances vs. Drain-Source Voltage (0 - 650V)

Typical Performance

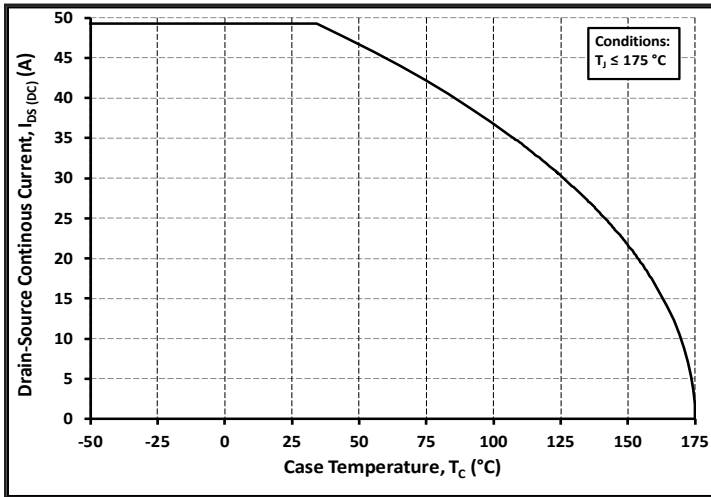


Figure 19. Continuous Drain Current Derating vs. Case Temperature

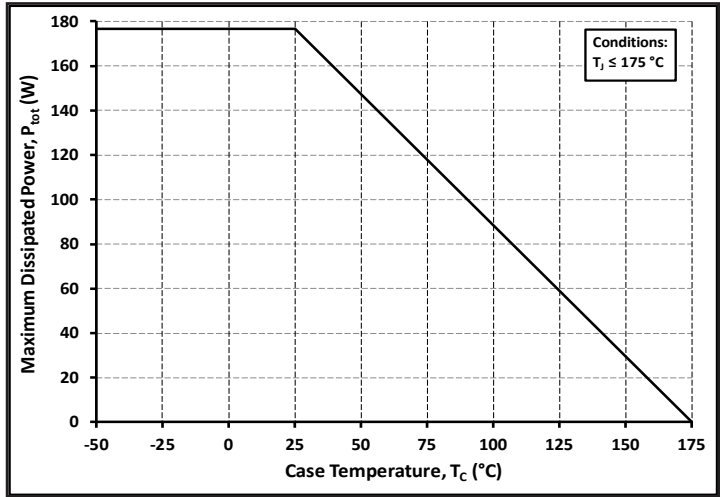


Figure 20. Maximum Power Dissipation Derating vs. Case Temperature

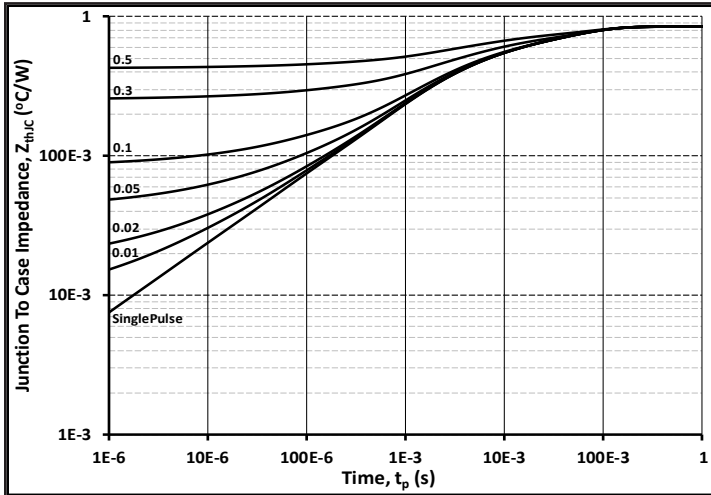


Figure 21. Transient Thermal Impedance (Junction - Case)

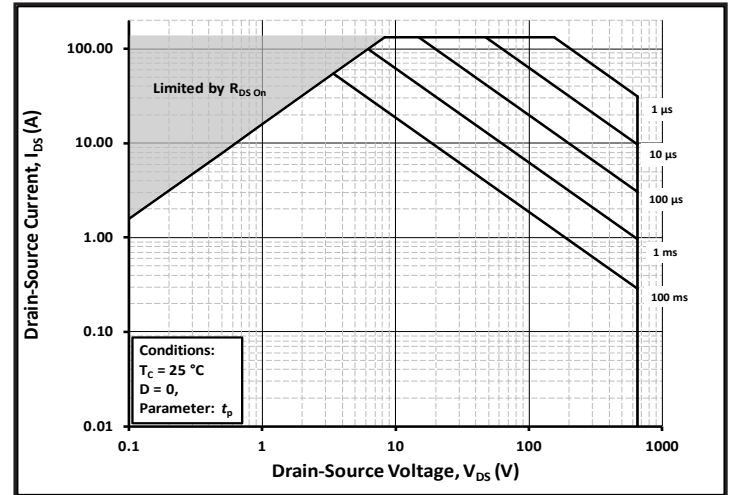


Figure 22. Safe Operating Area

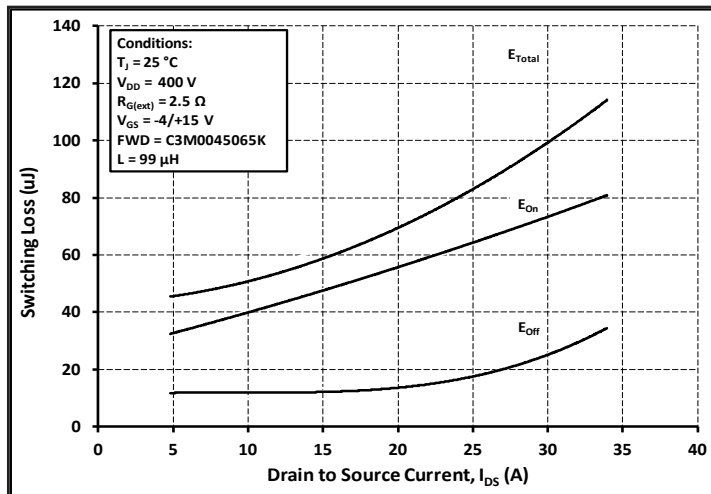


Figure 23. Clamped Inductive Switching Energy vs. Drain Current ($V_{DD} = 400V$)

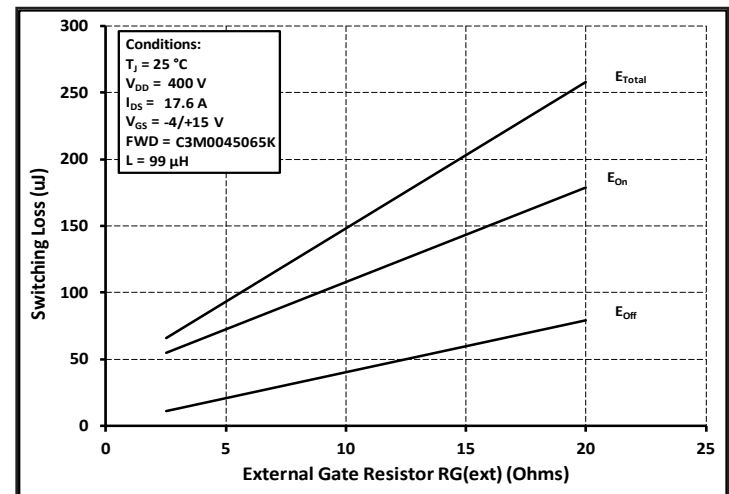


Figure 24. Clamped Inductive Switching Energy vs. $R_{G(ext)}$

Typical Performance

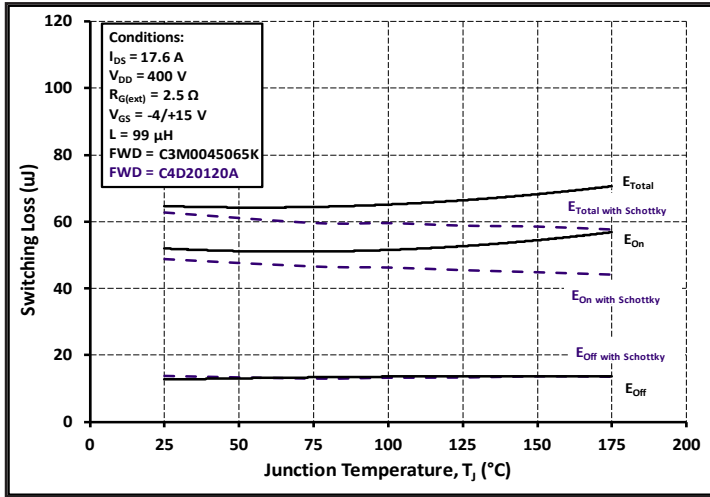


Figure 25. Clamped Inductive Switching Energy vs. Temperature

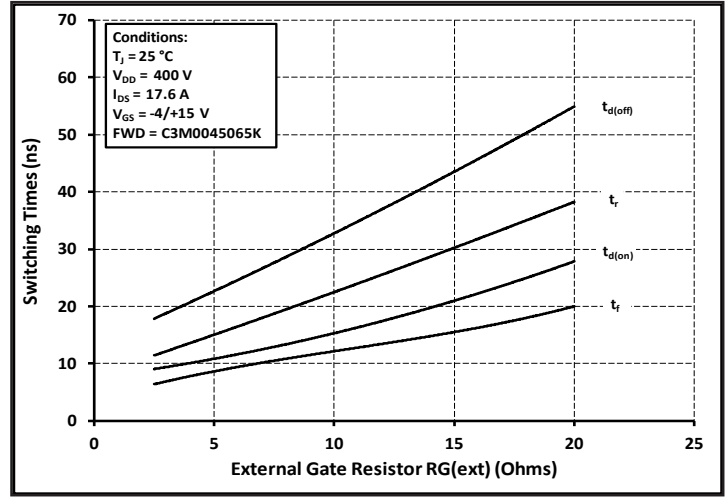


Figure 26. Switching Times vs. $R_{G(ext)}$

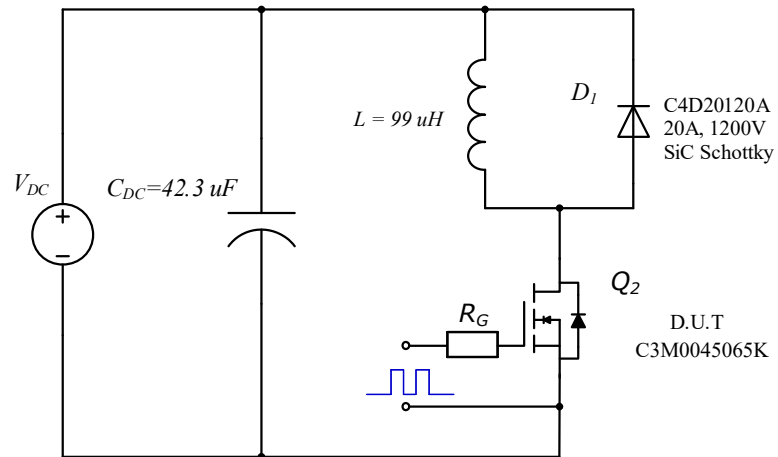


Figure 27. Clamped Inductive Switching Waveform Test Circuit

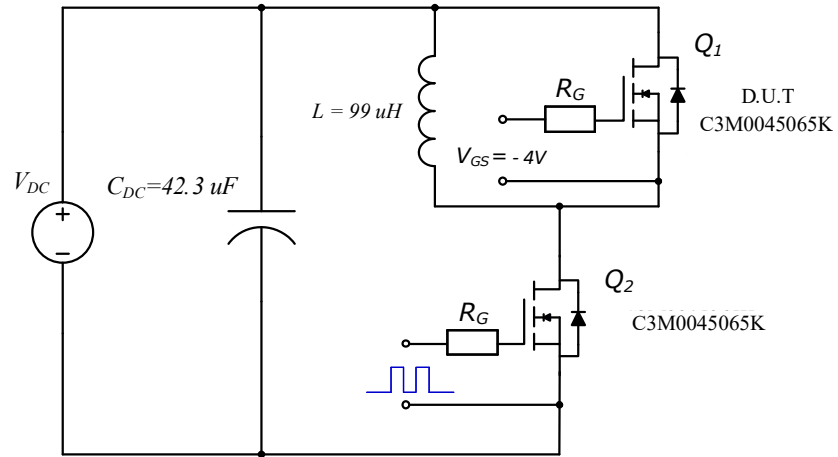


Figure 28. Body Diode Recovery Test Circuit

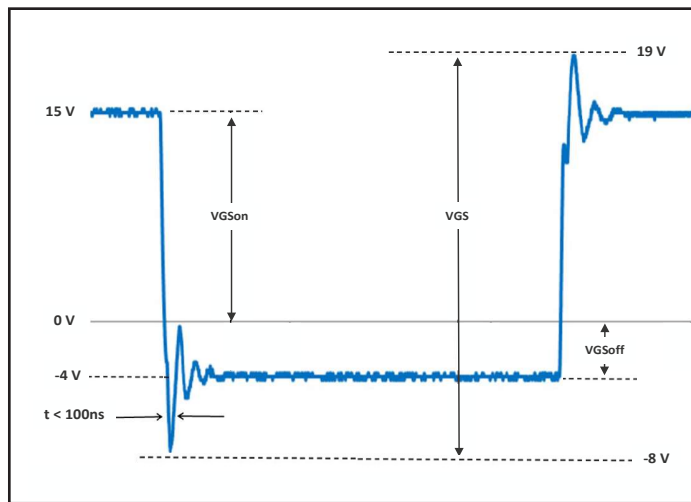
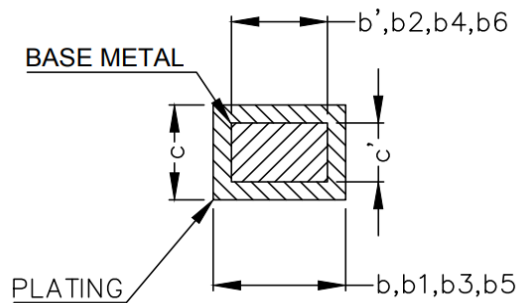
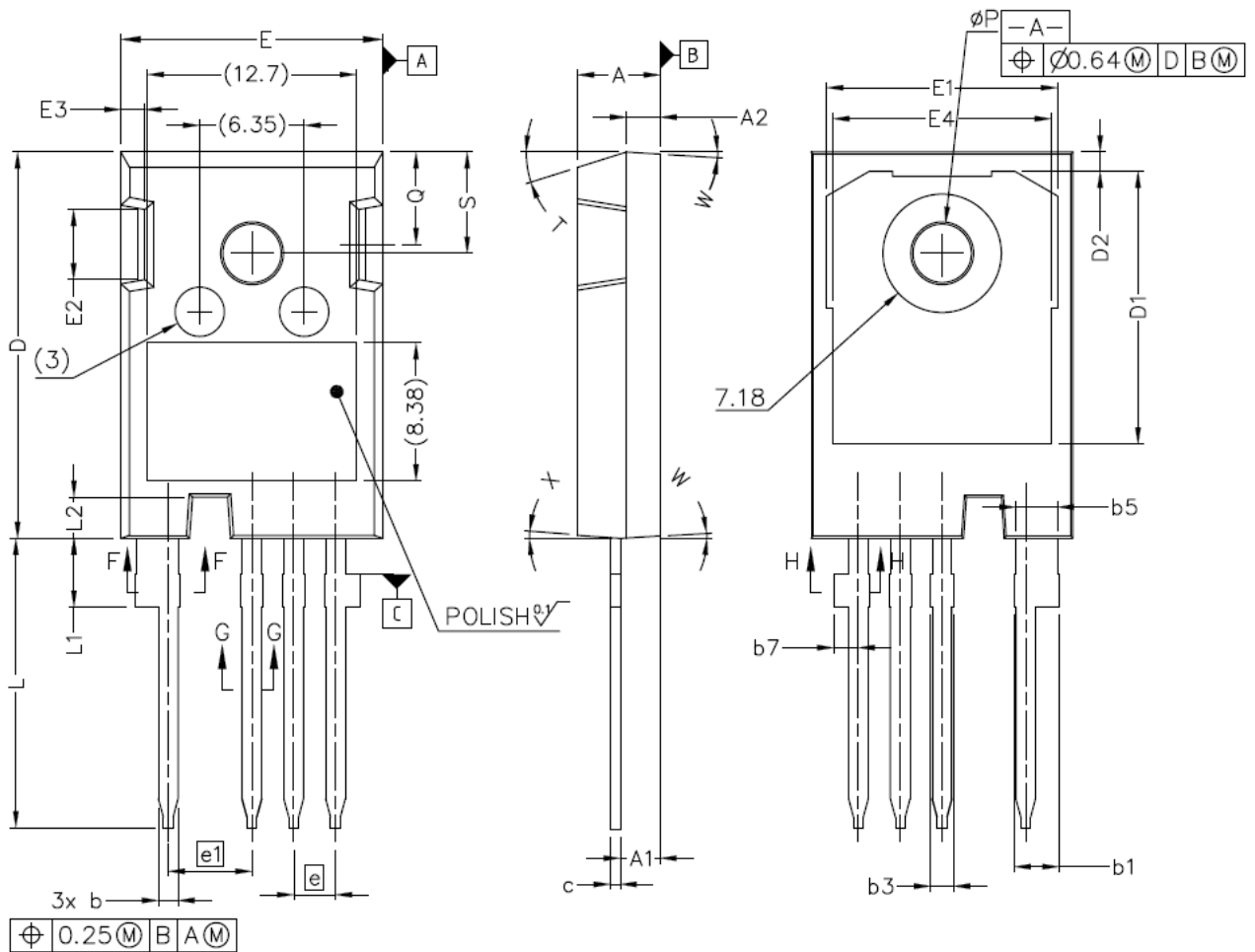


Figure 29. V_{GS} Waveform Example

Package Dimensions

Package TO-247-4L



SECTION "F-F", "G-G" AND "H-H"
SCALE: NONE

Package Dimensions

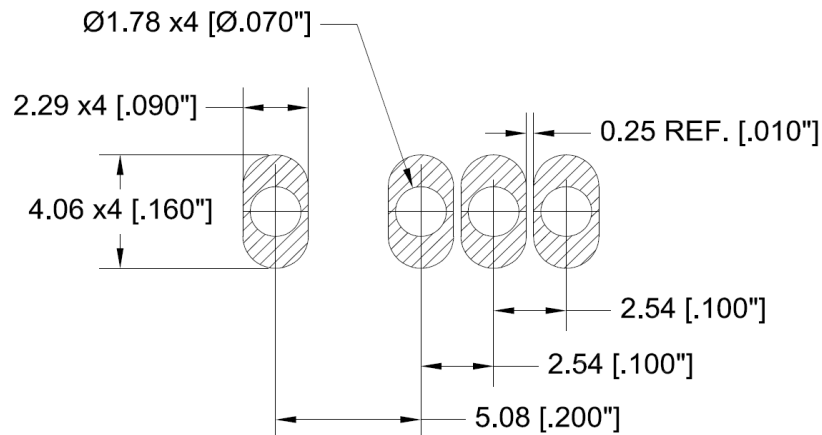
Package TO-247-4L

NOTE ;

1. ALL METAL SURFACES: TIN PLATED, EXCEPT AREA OF CUT
2. DIMENSIONING & TOLERANCEING CONFIRM TO ASME Y14.5M-1994.
3. ALL DIMENSIONS ARE IN MILLIMETERS. ANGLES ARE IN DEGREES.
4. 'N' IS THE NUMBER OF TERMINAL POSITIONS

| SYM | MILLIMETERS | |
|-----|-------------|-------|
| | MIN | MAX |
| A | 4.83 | 5.21 |
| A1 | 2.29 | 2.54 |
| A2 | 1.91 | 2.16 |
| b` | 1.07 | 1.28 |
| b | 1.07 | 1.33 |
| b1 | 2.39 | 2.94 |
| b2 | 2.39 | 2.84 |
| b3 | 1.07 | 1.60 |
| b4 | 1.07 | 1.50 |
| b5 | 2.39 | 2.69 |
| b6 | 2.39 | 2.64 |
| b7 | 1.30 | 1.70 |
| c` | 0.55 | 0.65 |
| c | 0.55 | 0.68 |
| D | 23.30 | 23.60 |
| D1 | 16.25 | 17.65 |
| D2 | 0.95 | 1.25 |
| E | 15.75 | 16.13 |

| SYM | MILLIMETERS | |
|-----|-------------|-------|
| | MIN | MAX |
| E1 | 13.10 | 14.15 |
| E2 | 3.68 | 5.10 |
| E3 | 1.00 | 1.90 |
| E4 | 12.38 | 13.43 |
| e | 2.54 BSC | |
| e1 | 5.08 BSC | |
| N* | 4 | |
| L | 17.31 | 17.82 |
| L1 | 3.97 | 4.37 |
| L2 | 2.35 | 2.65 |
| Ø P | 3.51 | 3.65 |
| Q | 5.49 | 6.00 |
| S | 6.04 | 6.30 |
| T | 17.5° REF. | |
| W | 3.5° REF. | |
| X | 4° REF. | |



Notes

- **RoHS Compliance**
The levels of RoHS restricted materials in this product are below the maximum concentration values (also referred to as the threshold limits) permitted for such substances, or are used in an exempted application, in accordance with EU Directive 2011/65/EC (RoHS2), as implemented January 2, 2013. RoHS Declarations for this product can be obtained from your Cree representative or from the Product Documentation sections of www.cree.com.
- **REACH Compliance**
REACH substances of high concern (SVHCs) information is available for this product. Since the European Chemical Agency (ECHA) has published notice of their intent to frequently revise the SVHC listing for the foreseeable future, please contact a Cree representative to insure you get the most up-to-date REACH SVHC Declaration. REACH banned substance information (REACH Article 67) is also available upon request.
- This product has not been designed or tested for use in, and is not intended for use in, applications implanted into the human body nor in applications in which failure of the product could lead to death, personal injury or property damage, including but not limited to equipment used in the operation of nuclear facilities, life-support machines, cardiac defibrillators or similar emergency medical equipment, aircraft navigation or communication or control systems, air traffic control systems.

Related Links

- **SPICE Models:** <http://wolfspeed.com/power/tools-and-support>
- **SiC MOSFET Isolated Gate Driver reference design:** <http://wolfspeed.com/power/tools-and-support>
- **SiC MOSFET Evaluation Board:** <http://wolfspeed.com/power/tools-and-support>