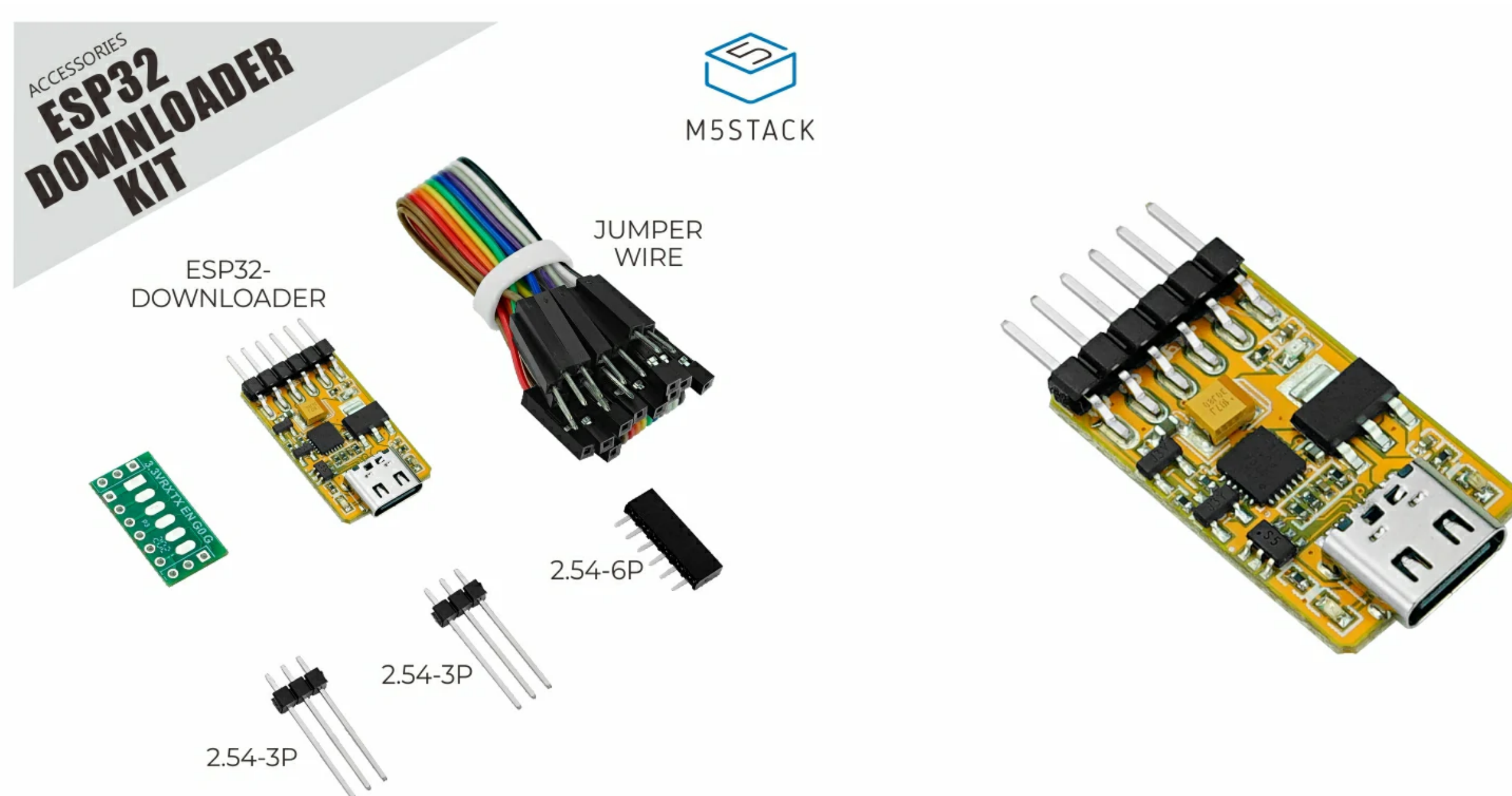


ESP32 Downloader Kit

SKU:A105



Description

ESP32 Downloader Kit is a USB-TTL adapter board for ESP32/ESP8266, This item contains CP2104/CH9102 chip. It supports one-touch download without chip and pin down resetting manual . Plug-in board and row of pins parts from the set can be so convenient for ESP32/ESP8266 series development board or M5Stack series products for program burning or serial debugging.



Note: We may ship The CP2104 chip or CH9102F chip. Both are high quality.

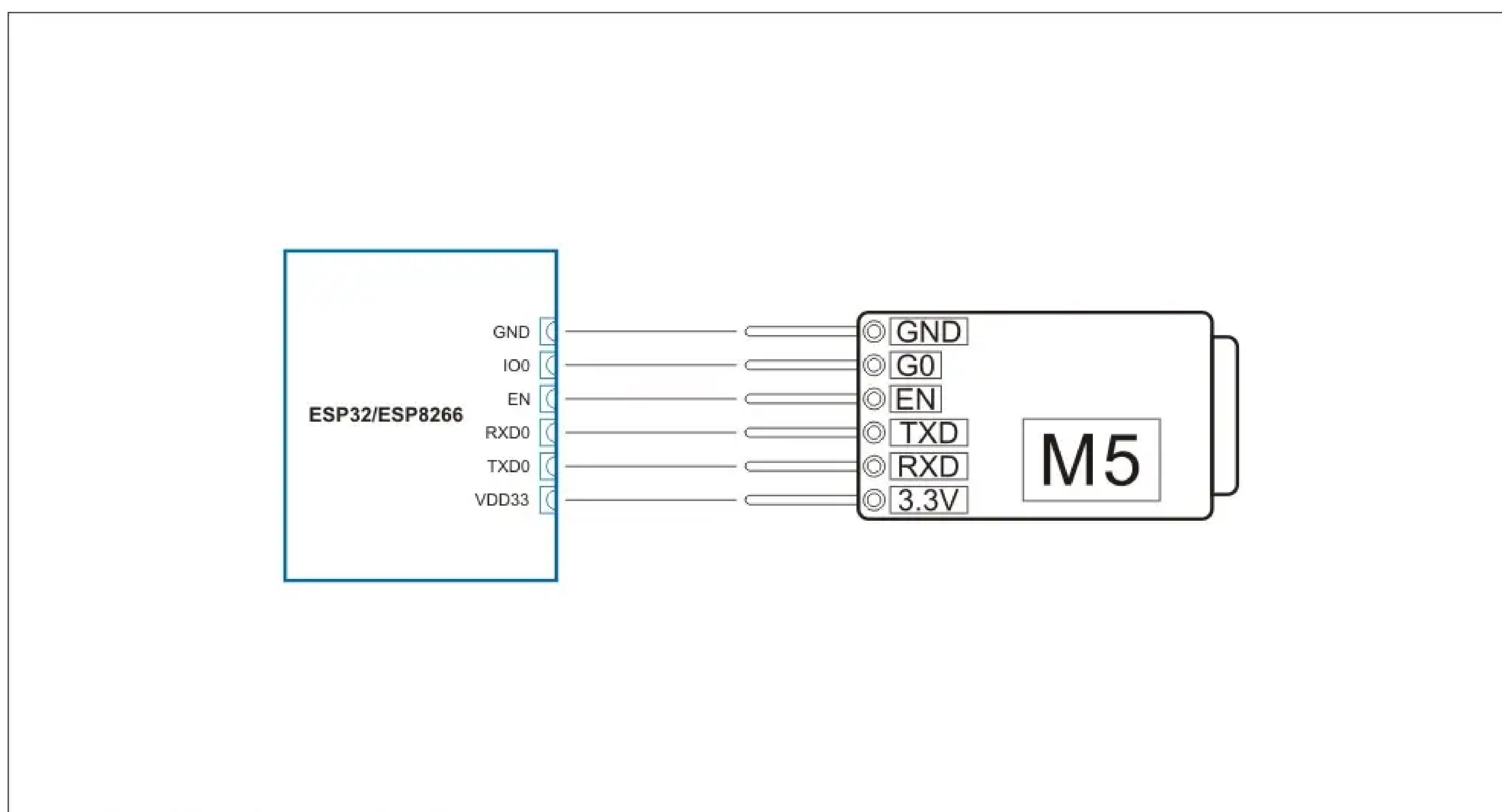
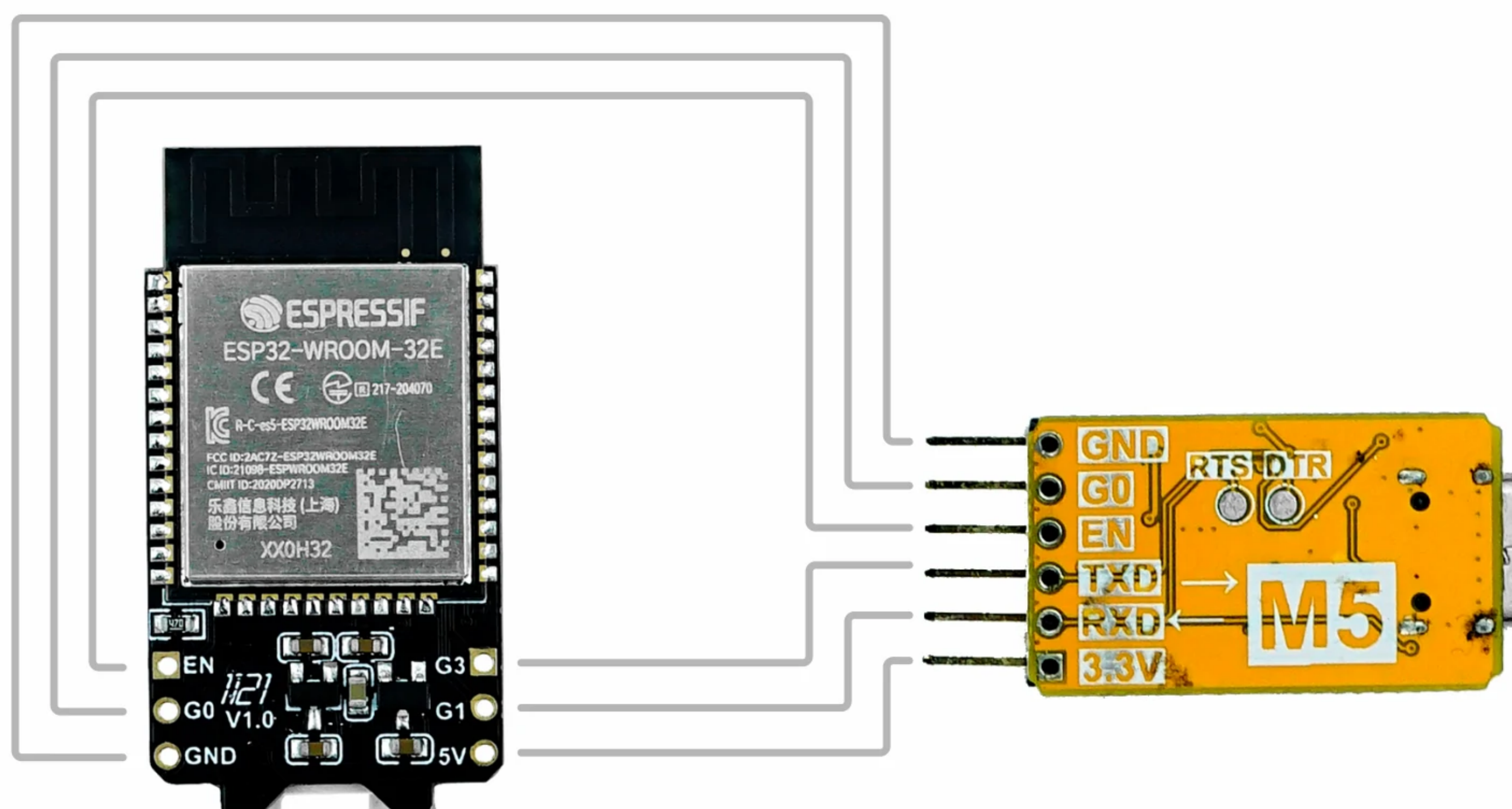
Product Features

- TypeC interface
- ESP32/ESP8266 program downloader
- Matching the IO sequence of various M5Stack products, direct plug and burn, no wiring

required (UNIT CAM/STAMP series, etc.)

- Receive/send buffer
- Compliant with USB2.0 specification

Usage diagram:



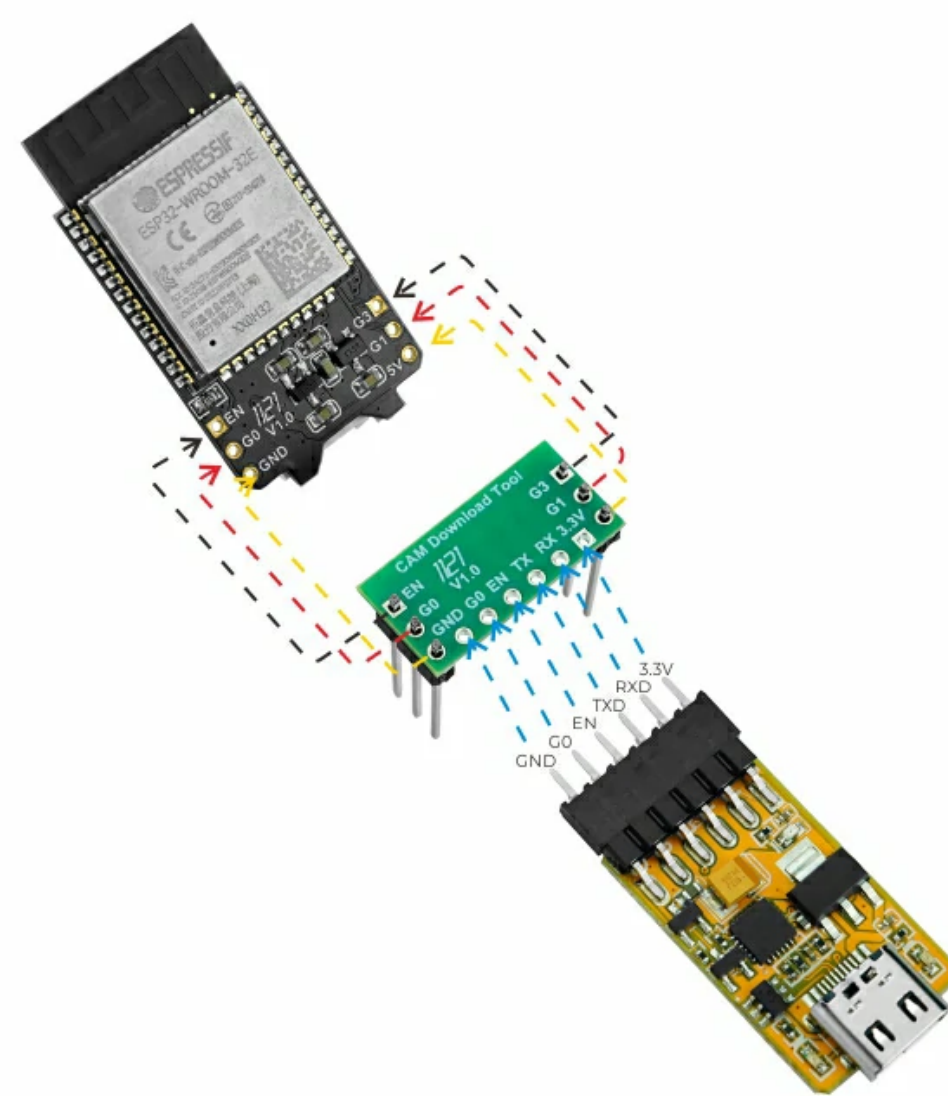
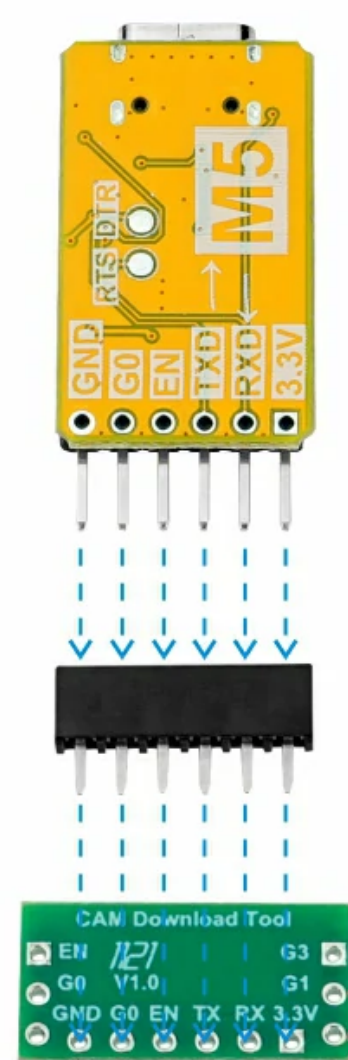
Included

- 1x ESP32 CAM Downloader
- 1x ESP32 CAM Pinout Board

- 1x 2.54-6P female header
- 2x 2.54-3P row of pins

Specification

| Specifications | Parameters |
|------------------------|---|
| USB-TTL IC | CP2104/CH9102F |
| USB Interface Type | TypeC |
| Baud Rate | 300bps to 2Mbps |
| Supported data formats | Data bits: 5, 6, 7, and 8 |
| | Stop bits: 1, 1.5, and 2 |
| | Parity: odd, even, mark, space, no parity |
| Buffer | 576-byte receive buffer, 576-byte send buffer |
| Net weight | 10g |
| Gross Weight | 11g |
| Product Dimensions | 33 * 16 * 3mm |
| Package Size | 90 * 60mm(static bag) |



Related Link

CP210X Driver:

Windows 10

MacOS

Linux

Schematic

