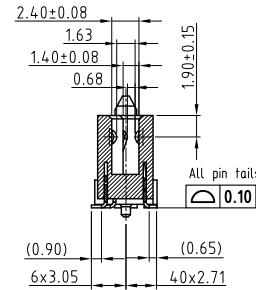
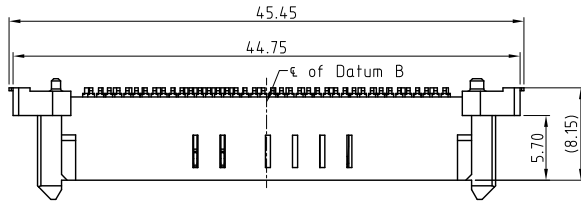


This document is the property of Amphenol Corporation and is delivered on the express condition that it is not to be disclosed, reproduced or used, in whole or in part, for manufacture or sale by anyone other than Amphenol Corporation without its prior consent, & that no right is granted to disclose or to use any information in this document.

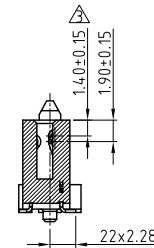
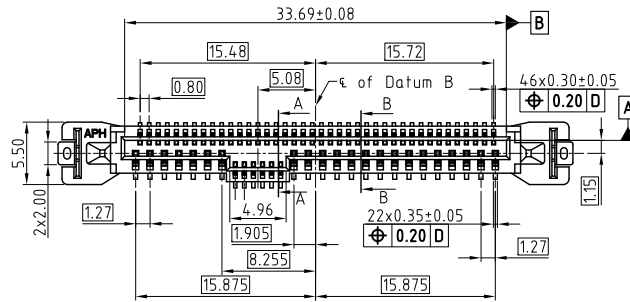
CUSTOMER DRAWING

REVISIONS

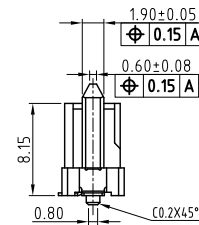
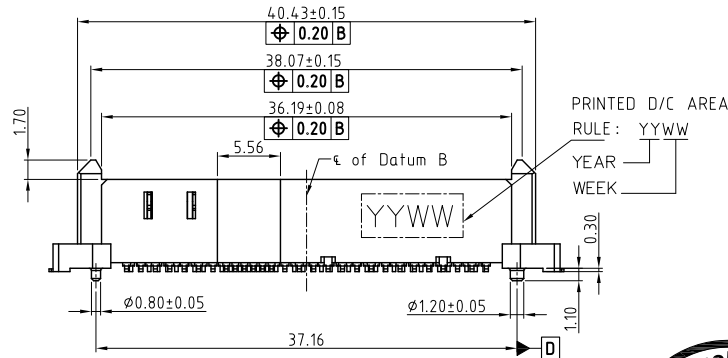
| SYM | ECN | DESCRIPTION | DATE | APPROVED |
|-----|-----|---|----------|----------|
| 1 | N/A | FIRST RELEASE | 6/23/14 | IP |
| 2 | N/A | ADD TERMINAL DISTANCE AND D/C MARK. | 05/18/15 | IP |
| 3 | N/A | UPDATE NOTES | 12/28/15 | IP |
| 4 | N/A | UPDATE | 02/18/16 | IP |
| 5 | N/A | ADD PACKING SPEC | 03/16/16 | IP |
| 6 | N/A | ADD DIMS CONTROL BY CUSTOMER REQUEST | 09/08/16 | IP |
| 7 | N/A | UPDATE NOTES | 06/20/17 | IP |
| 8 | N/A | MODIFIED DIMS TOLERANCE BY CUSTOMER REQUEST | 01/18/18 | IP |
| 9 | N/A | ADDED WITH CAP VIEW BY CUSTOMER REQUEST | 08/29/18 | IP |
| 10 | N/A | ADDED PACKING STYLE BY CUSTOMER REQUEST | 11/06/18 | IP |
| 11 | N/A | UPDATE DRAWING | 01/22/19 | IP |



SECTION A-A



SECTION B-B



NOTES

- MATERIAL
 - HOUSING: HIGH TEMPERATURE THERMOPLASTIC, UL94V-0, COLOR:BLACK.
 - CONTACTS : PHOSPHOR BRONZE
PLATING: REFER TO P/N SYSTEM ON MATING AREA.
1.27um MIN NICKEL UNDER PLATED OVERALL.
2.54um MIN PURE MATTE TIN ON SOLDER TAILS.
 - SOLDER CLIPS: COPPER ALLOY
2.54um MIN PURE MATTE TIN OVER 1.27um MIN NICKEL.
- GENERAL SPECIFICATION
 - CURRENT RATING: 1.5A/PER PIN (POWER SECTION).
 - CONTACT RESISTANCE: 30mΩ MAX (INITIAL).
 - INSULATOR RESISTANCE: 1000MΩ MIN.
 - DIELECTRIC WITHSTANDING VOLTAGE: 500 VAC
 - OPERATION TEMPERATURE: 0°C~+55°C
- PREMATING AT P4 & P12
- SUPPORT PCIe GEN3 AND SAS3.0
- DIMENSIONING SHALL BE INTERPRETED PER ASME Y14.5M 1994.
- MATERIAL SHOULD BE FULFILLED AMPHENOL SPEC.# S-SN-002, FOR HALOGEN FREE PRODUCTS, ALSO NEED TO MEET S-SN-004.
- ORDER P/N SYSTEM: PN WITH OR W/O "-" IS THE SAME
PSASF313020XXX

MATING AREA PLATING
 1- 0.76um MIN Au.
 2- 0.38um MIN Au.
 3- Gold FLASH

PACKING STYLE
 NIL- TRAY
 TR- TAPE AND REEL
 (WITH PICK-UP CAP)
 NT- TAPE AND REEL
 (WITHOUT PICK-UP CAP)



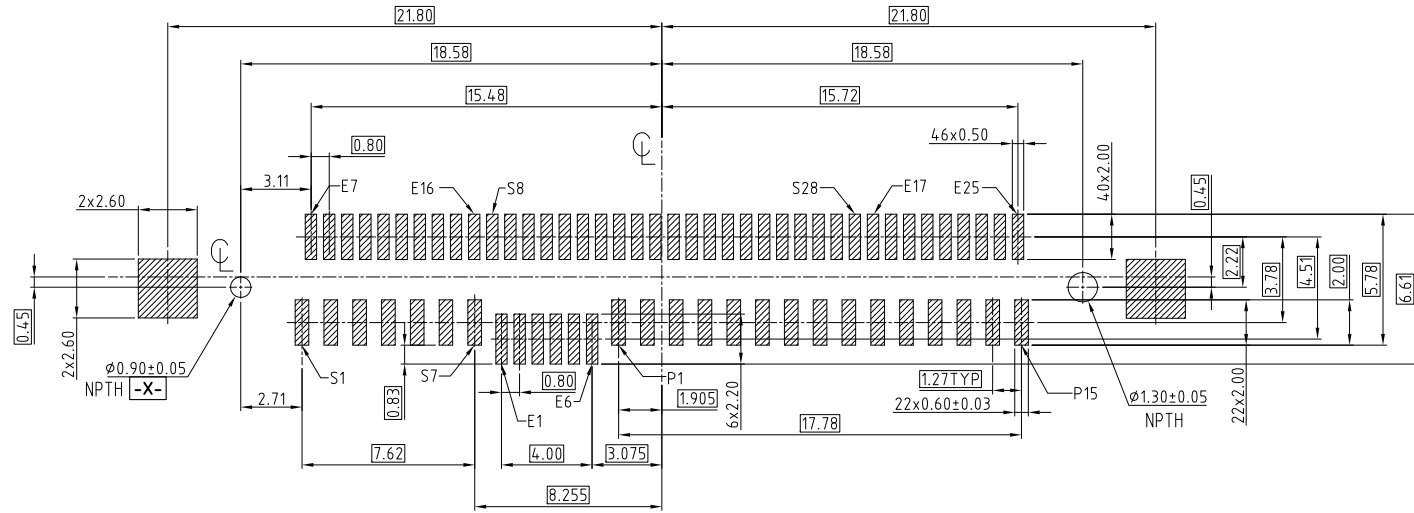
| | | | | |
|---|---|---------------------|--|---|
| UNLESS OTHERWISE SPECIFIED TOLERANCES U.S. METRIC .X +/- 0.50 .XX +/- 0.25 .XXX +/- 0.15 FRACTIONS +/- 3° ANGLES +/- 3° FOR MATERIALS AND FINISHES SEE NOTES REMOVE SHARP EDGES DIMENSIONS U.S. INCHES (METRIC) (MM) | APPROVAL | DATE | Amphenol Amphenol East Asia Limited | |
| | DRAWN Jackie.Tan | 01/22/19 | | |
| | CHECKED Xiang.Wang | 01/22/19 | | |
| | DRAWING FILE : DRAWING\PSAS1\PSAS1\PSASF313020XXX-11 | ANGLE OF PROJECTION | | TITLE PCIe/SAS VERTICAL SMT RECEPTACLE |
| DRAWING NO. A3 PSASF313020XXX | | SCALE NONE | | SHEET 1 OF 3 |

This document is the property of Amphenol Corporation and is delivered on the express condition that it is not to be disclosed, reproduced or used, in whole or in part, for manufacture or sale by anyone other than Amphenol Corporation without its prior consent, & that no right is granted to disclose or to use any information in this document.

CUSTOMER DRAWING

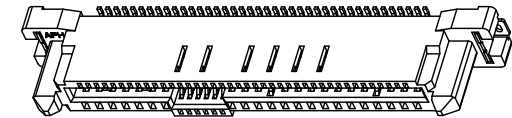
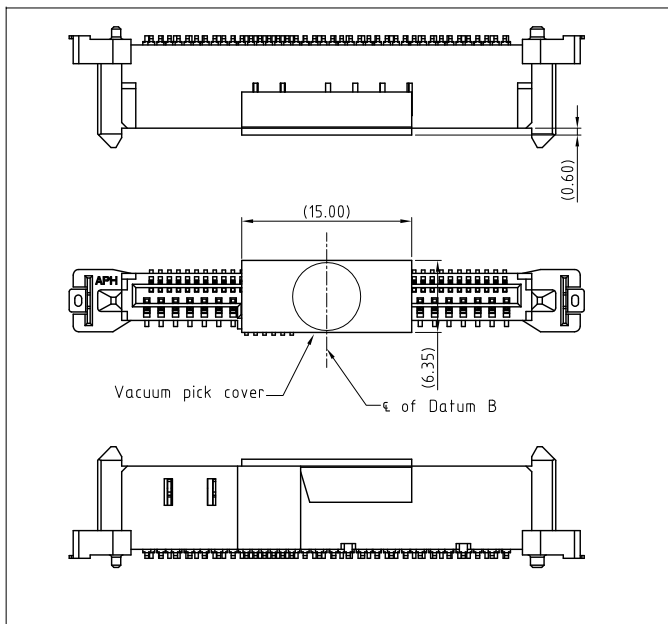
REVISIONS

| SYM | ECN | DESCRIPTION | DATE | APPROVED |
|-----|-----|------------------|------|----------|
| | | REFER TO SHEET 1 | | |



With Pick-up Cover

RECOMMENDED PCB LAYOUT
GENERAL TOLERANCE ±0.05



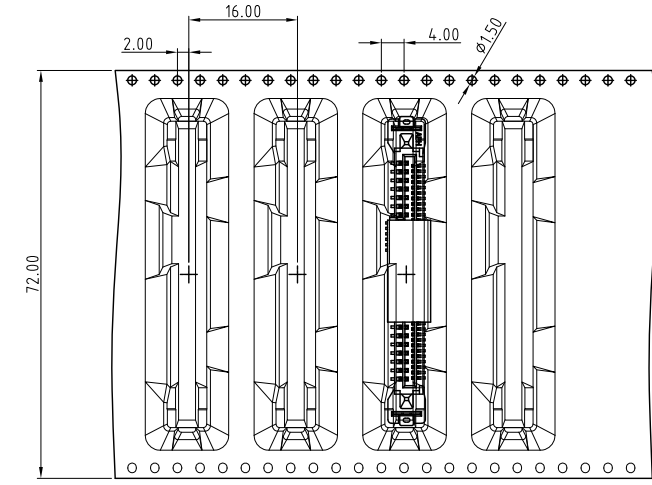
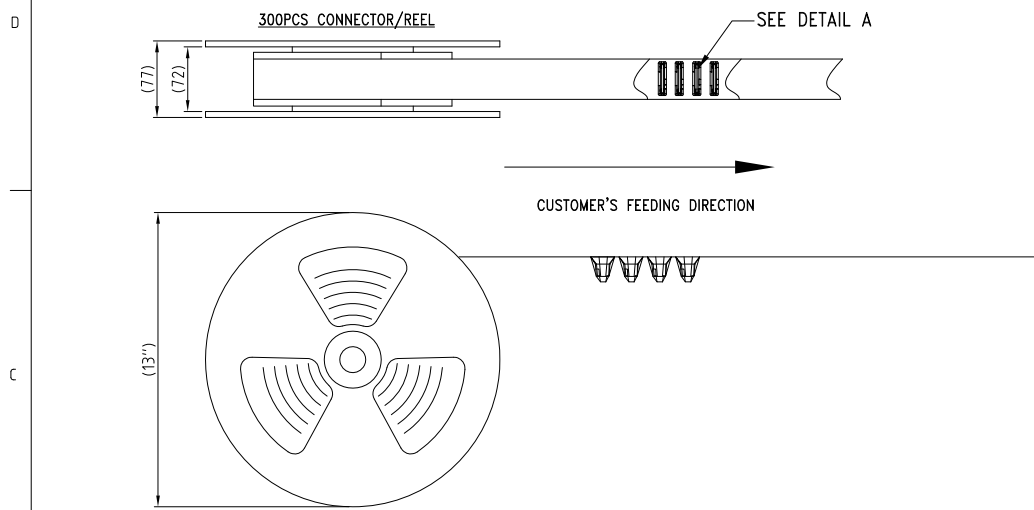
| | | | |
|---------------------------------------|----------|-------------------------------------|------------|
| UNLESS OTHERWISE SPECIFIED TOLERANCES | | APPROVAL | DATE |
| .X | +/- 0.50 | DRAWN | Jackie.Tan |
| .XX | +/- 0.25 | CHECKED | Xiang.Wang |
| .XXX | +/- 0.15 | CHECKED | |
| FRACTIONS | +/- 3° | DRAWING FILE : | |
| ANGLES +/- | | DRAWING\PSAS\PSAS\PSASF313020XXX-11 | |
| FOR MATERIALS AND FINISHES SEE NOTES | | ANGLE OF PROJECTION | |
| REMOVE SHARP EDGES | | | |
| DIMENSIONS | | | |
| U.S. | INCHES | | |
| (METRIC) | (MM) | | |

| | |
|---|----------------|
| Amphenol | |
| Amphenol East Asia Limited | |
| TITLE PCIe/SAS VERTICAL SMT RECEPTACLE | |
| SIZE | DRAWING NO. |
| A3 | PSASF313020XXX |
| SCALE | NONE |
| SHEET | 2 OF 3 |
| REV. | 11 |

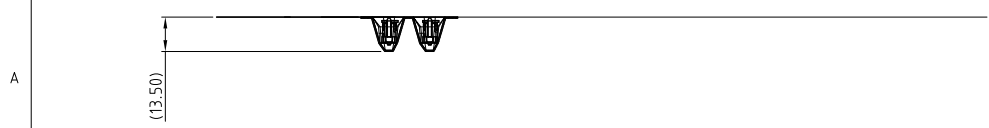
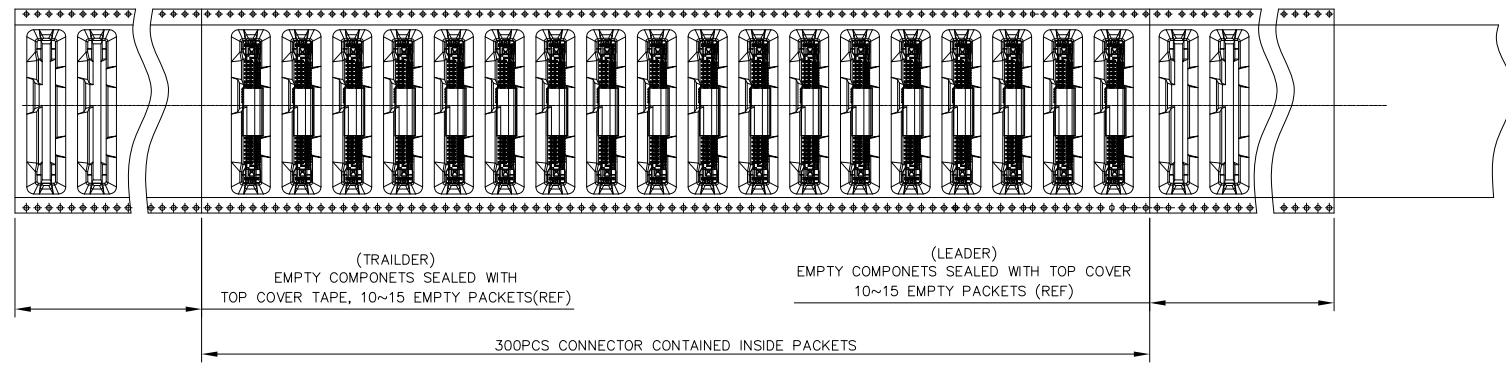
This document is the property of Amphenol Corporation and is delivered on the express condition that it is not to be disclosed, reproduced or used, in whole or in part, for manufacture or sale by anyone other than Amphenol Corporation without its prior consent, & that no right is granted to disclose or to use any information in this document.

CUSTOMER DRAWING

| REVISIONS | | | | |
|------------------|-----|-------------|------|----------|
| SYM | ECN | DESCRIPTION | DATE | APPROVED |
| REFER TO SHEET 1 | | | | |



DETAIL A
SCALE 2:1



| | |
|---------------------------------------|--------|
| UNLESS OTHERWISE SPECIFIED TOLERANCES | |
| U.S. | METRIC |
| .X +/- | 0.50 |
| .XX +/- | 0.25 |
| .XXX +/- | 0.15 |
| FRACTIONS +/- | |
| ANGLES +/- | 3° |
| FOR MATERIALS AND FINISHES SEE NOTES | |
| REMOVE SHARP EDGES | |
| DIMENSIONS | |
| U.S. | INCHES |
| (METRIC) | (MM) |

| | |
|-------------------------------------|----------|
| APPROVAL | DATE |
| DRAWN Jackie.Tan | 01/22/19 |
| CHECKED Xiang.Wang | 01/22/19 |
| CHECKED | |
| DRAWING FILE : | |
| DRAWING\PSAS\PSAS\PSASF313020XXX-11 | |
| ANGLE OF PROJECTION | |
| | |

| | |
|----------------------------------|----------------|
| Amphenol | |
| Amphenol East Asia Limited | |
| TITLE | |
| PCIe/SAS VERTICAL SMT RECEPTACLE | |
| SIZE | DRAWING NO. |
| A3 | PSASF313020XXX |
| SCALE | NONE |
| SHEET | 3 OF 3 |
| REV. | 11 |