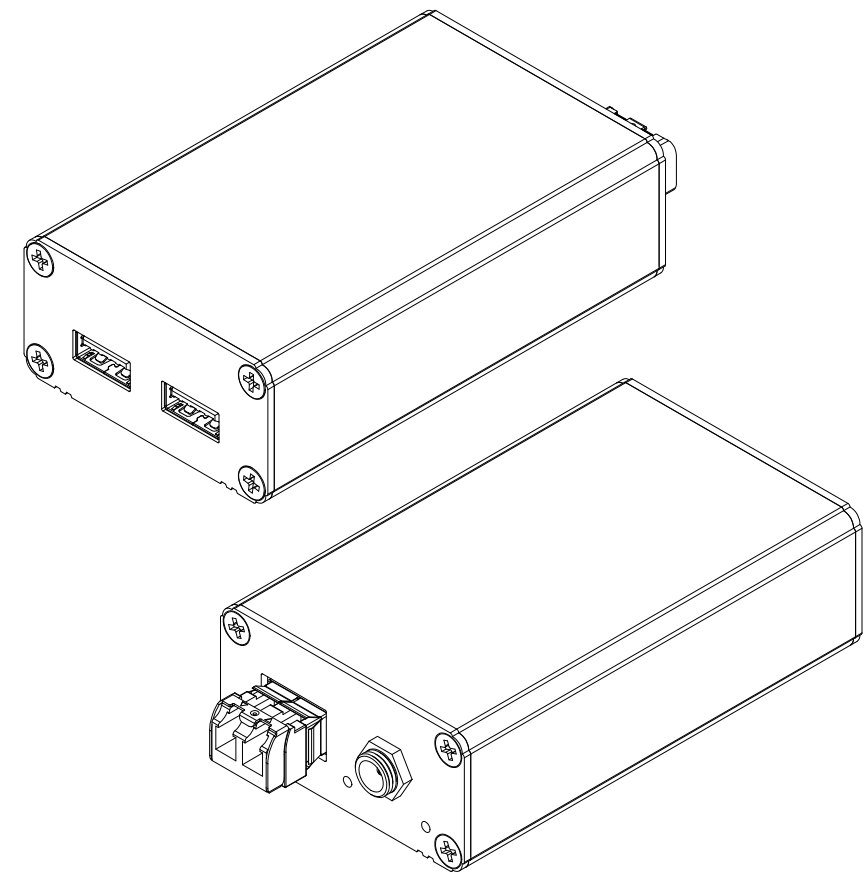
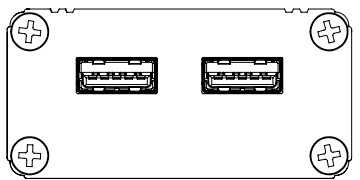
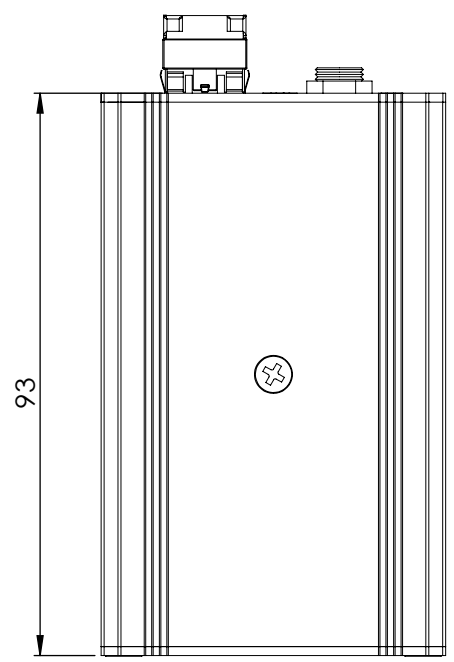
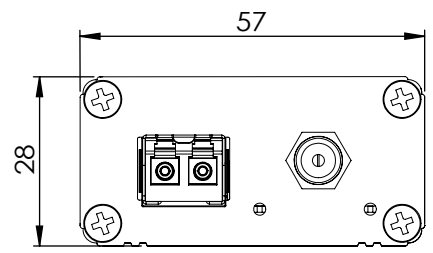
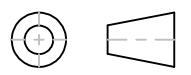


8 7 6 5 4 3 2 1

F
E
D
C
B
A



THIRD ANGLE PROJECTION



GENERAL NOTES

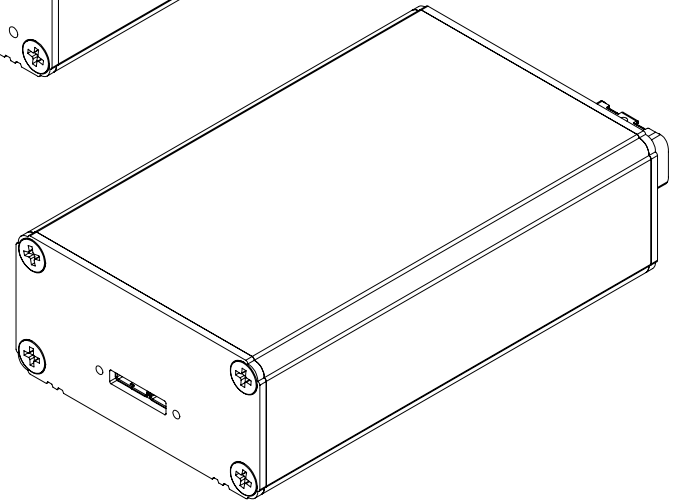
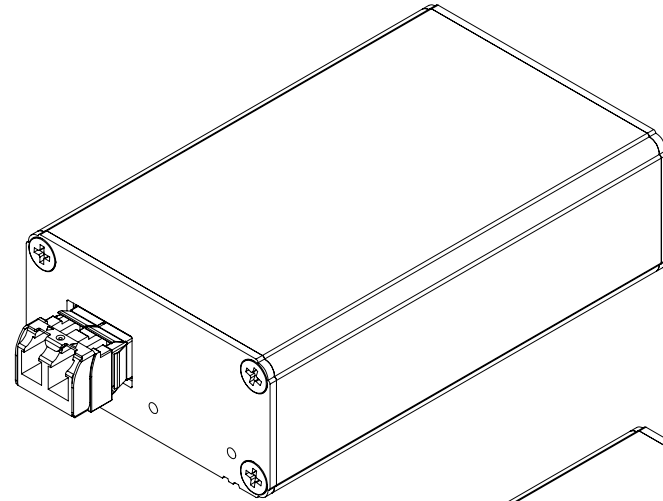
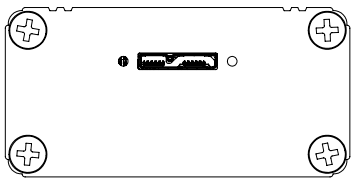
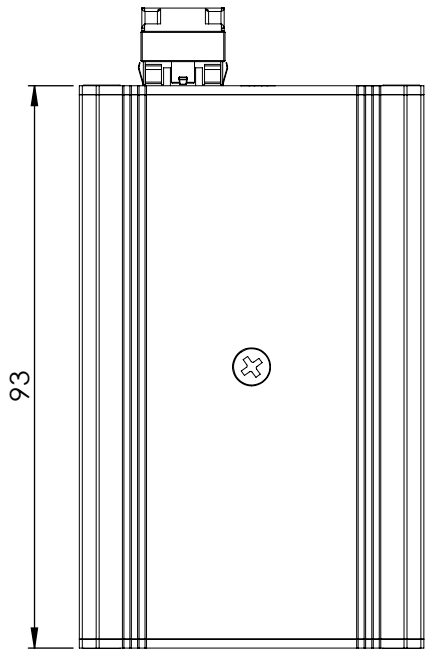
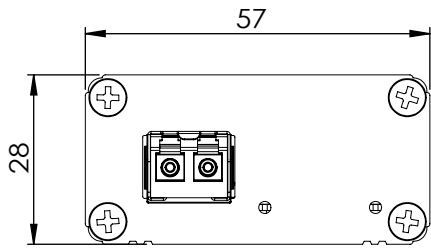
DIMENSIONS ARE IN MM - DO NOT SCALE

THIS DOCUMENT CONTAINS CONFIDENTIAL, PROPRIETARY INFORMATION THAT IS PROPERTY OF STARTECH.COM

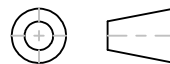


PRODUCT ID	F35023-USB-EXTENDER (receiver)		
DESCRIPTION	2-Port USB 3.0 Extender over OM3 Multimode Fiber - LC/LC		
DO NOT SCALE	SHEET: 1 OF 2	UPLOAD DATE: 6/29/2023	

8 7 6 5 4 3 2 1



THIRD ANGLE PROJECTION



GENERAL NOTES

DIMENSIONS ARE IN MM - DO NOT SCALE
 THIS DOCUMENT CONTAINS CONFIDENTIAL,
 PROPRIETARY INFORMATION THAT IS
 PROPERTY OF STARTECH.COM

StarTech.com

PRODUCT ID	F35023-USB-EXTENDER (transmitter)		
DESCRIPTION	2-Port USB 3.0 Extender over OM3 Multimode Fiber - LC/LC		
DO NOT SCALE	SHEET: 2 OF 2	UPLOAD DATE: 6/29/2023	