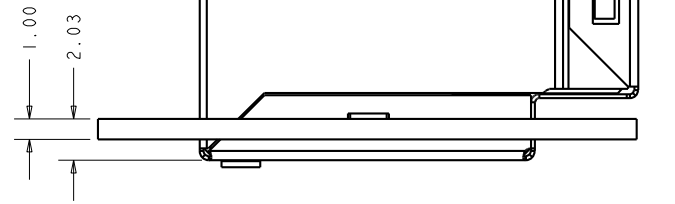
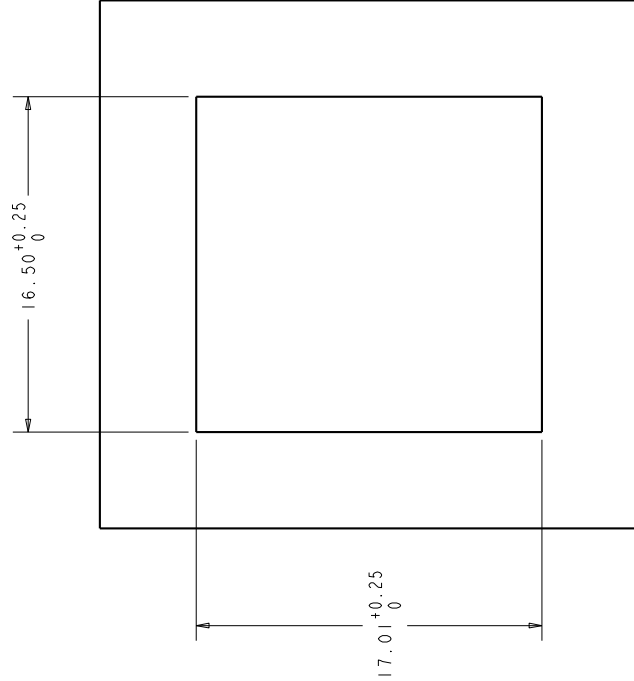
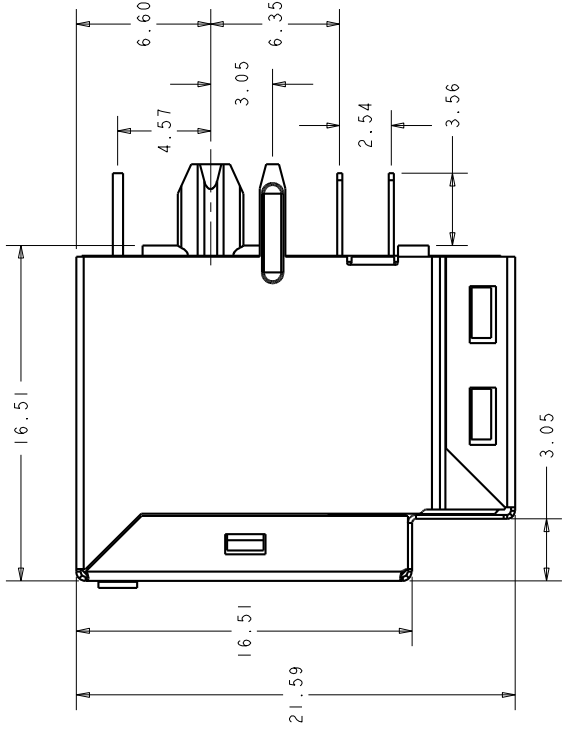
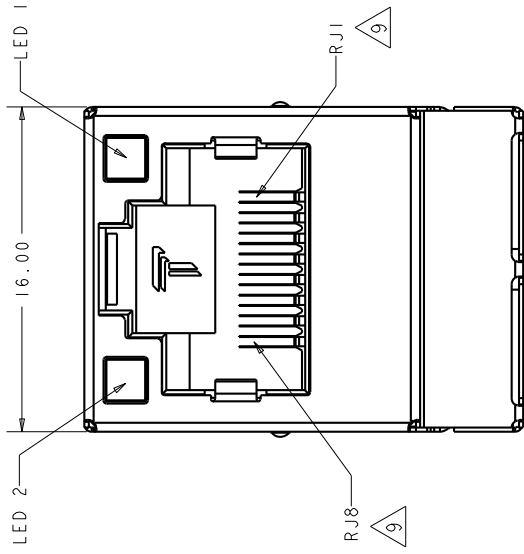
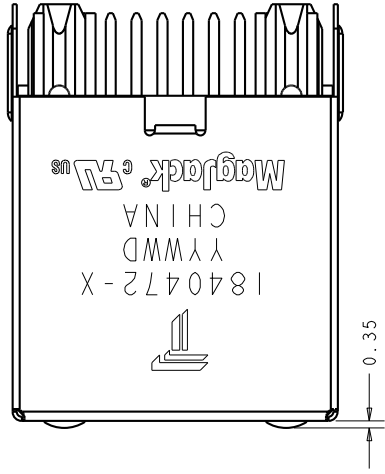
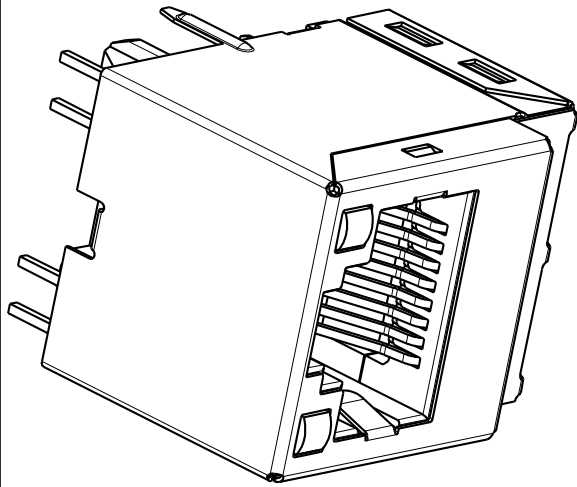


THIS DRAWING AND THE SUBJECT MATTER SHOWN THEREON ARE CONFIDENTIAL AND THE PROPERTY OF BEL/STEWART/TRP CONNECTOR AND SHALL NOT BE REPRODUCED, COPIED, OR USED IN ANY MANNER WITHOUT THE WRITTEN CONSENT OF TRP CONNECTOR.

PRODUCT MAY BE PROTECTED BY ONE OR MORE OF THE FOLLOWING US PATENTS:
 5736910 5939955 6425781 6428361 6554638 6840817 7123117
 7429195 7717749 7808751 6217391 6149050 7924130

REVISIONS		DATE	OWN	APVD
P	LR	DESCRIPTION		
G		EC-1411035, LOGO CHANGE	19JAN2015	JC
				TY



- MATERIALS: THERMOPLASTIC, BLACK, FLAMMABILITY RATED UL 94V-0
 HOUSING: BRASS, 0.20mm THICK, SHIELD:
 PREPLATED WITH MIN 0.76um SEMI-BRIGHT NICKEL
 POST DIPPED WITH 2.54um MIN SAC SOLDER AT GROUND PINS.
 CONTACT: PHOSPHOR BRONZE,
 SELECTIVE 1.27um MIN OVERALL NICKEL UNDERPLATE AND
 SOLDER TAIL: PHOSPHOR BRONZE,
 WITH 1.27um MIN OVERALL NICKEL UNDERPLATE AND
 PLATED WITH 2.54um MIN TIN
 LED: DIFFUSED EPOXY LENS, 0.50mm SQUARE CARBON STEEL WIREFRAME LEADS
 PREPLATED WITH 2.03um MIN SILVER OVER 1.02um MIN NICKEL
 OVER 1.02um MIN COPPER UNDERPLATE POST PLATED WITH 2.54um MIN TIN

- MAGNETICS
 -APPLICATION: 10/100/1000 BASE-T, EXTENDED TEMPERATURE
 -IMPEDANCE: 100 OHMS
 -TURNS RATIO (CHIP:CABLE): 1:1 ALL FOUR PAIRS
 -OPEN CIRCUIT INDUCTANCE (OCL): 350uH MIN @100kHz, 0.1VRMS,
 8mADC BIAS FROM -40°C TO +85°C, ALL FOUR PAIRS
 -ALL FOUR PAIRS BJ-DIRECTIONAL
 -PERFORMANCE @ 25°C:
 INSERTION LOSS (IL): 1.1dB MAX FROM 0.5MHz TO 100MHz
 RETURN LOSS (RL): 18dB MIN FROM 0.5MHz TO 40MHz
 12-20LOG(f/80)dB MIN FROM 40.1MHz TO 100MHz
 CROSSTALK ATTENUATION: 35dB MIN FROM 0.5MHz TO 40MHz
 33-20LOG(f/50)dB MIN FROM 40.1MHz TO 100MHz
 COMMON MODE REJECTION RATIO (CMRR): 30dB MIN FROM 0.5MHz TO 100MHz
 -ISOLATION VOLTAGE: 2250VDC FOR 60 SECONDS DURATION.
- THE MAGNETIC ARE SYMMETRICAL AND SUPPORT AUTO-MDIX OPERATION.
- OPERATING TEMPERATURE: -40°C TO +85°C
- LED IS DRIVEN WITH CONSTANT CURRENT AT APPROX 20mA.
 DOMINANT WAVELENGTH(λD)
 GREEN 568nm TYP.at IF=20mA
 YELLOW 588nm TYP.at IF=20mA
 FORWARD VOLTAGE(VF):
 GREEN 2.2V TYP.at IF=20mA
 YELLOW 2.1V TYP.at IF=20mA
- ALL DIMENSIONS TO BE NOMINAL UNLESS OTHERWISE NOTED
- RJ45 CAVITY CONFORMS TO FCC RULES AND REGULATION PART 68 SUBPART F.
- THESE PARTS ARE RECOMMENDED FOR WAVE SOLDERING PROCESS, PREHEAT TEMPERATURE IS 120°C TO 160°C, 120 SECONDS TO 180 SECONDS, PEAK WAVE SOLDERING TEMPERATURE IS 260°C MAX, 10 SECONDS MAX.
- CONTACT LUBRICANT IN MATING AREA FOR I-1840472-4 ONLY.

YES	GREEN/YELLOW	GREEN/YELLOW	GREEN/YELLOW	I-1840472-4
NO	GREEN	GREEN/YELLOW	GREEN/YELLOW	1840472-5
NO	YELLOW	GREEN	GREEN	1840472-8
NO	GREEN	GREEN	GREEN	1840472-1
△9 LUBE	LED 1	LED 2	LED 2	PART NUMBER

THIS DRAWING IS A CONTROLLED DOCUMENT.

DWN	YKIN LEE	09JAN2009
CHK	QUENTIN LIU	09JAN2009
APVD	LI JIUN RAO	09JAN2009

TRP CONNECTOR
 a bel group
 DONGGUAN CHINA

MODEL NAME	MAGJACK	DESC	1X1,MAGJACK, VERTICAL
SIZE	SINGLE NON-PoE	CAGE CODE	4G46ETPI, GIGABIT CIRCUIT, W/ LEDS
DRAINING NO	A2	RESTRICTED TO	
CUSTOMER DRAWING	G-1840472		

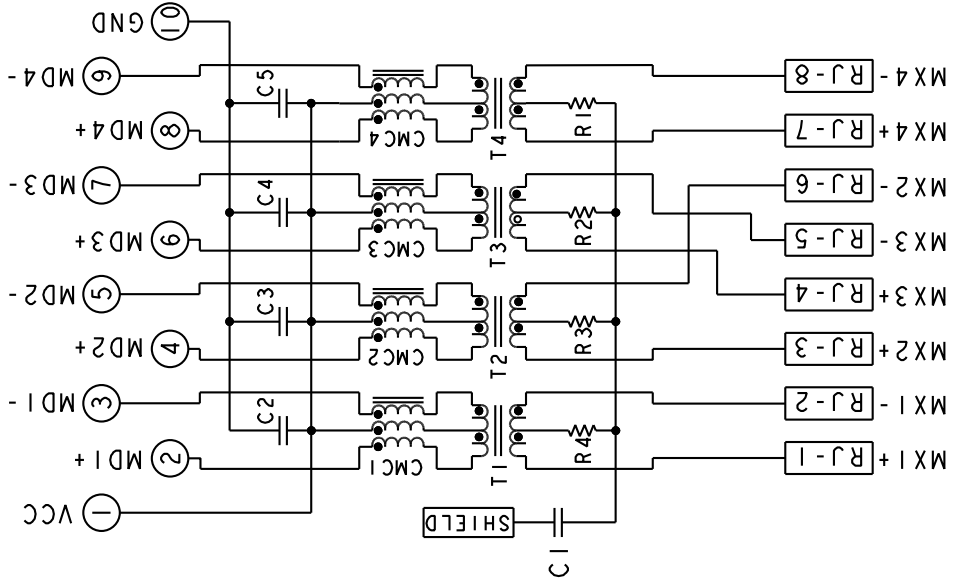
TOLERANCES UNLESS OTHERWISE SPECIFIED:
 0 PLC ±0.25
 1 PLC ±0.25
 2 PLC ±0.25
 3 PLC ±0.25
 4 PLC ±0.25
 APPLIC. APPLICATION SPEC ±

DIMENSIONS: mm

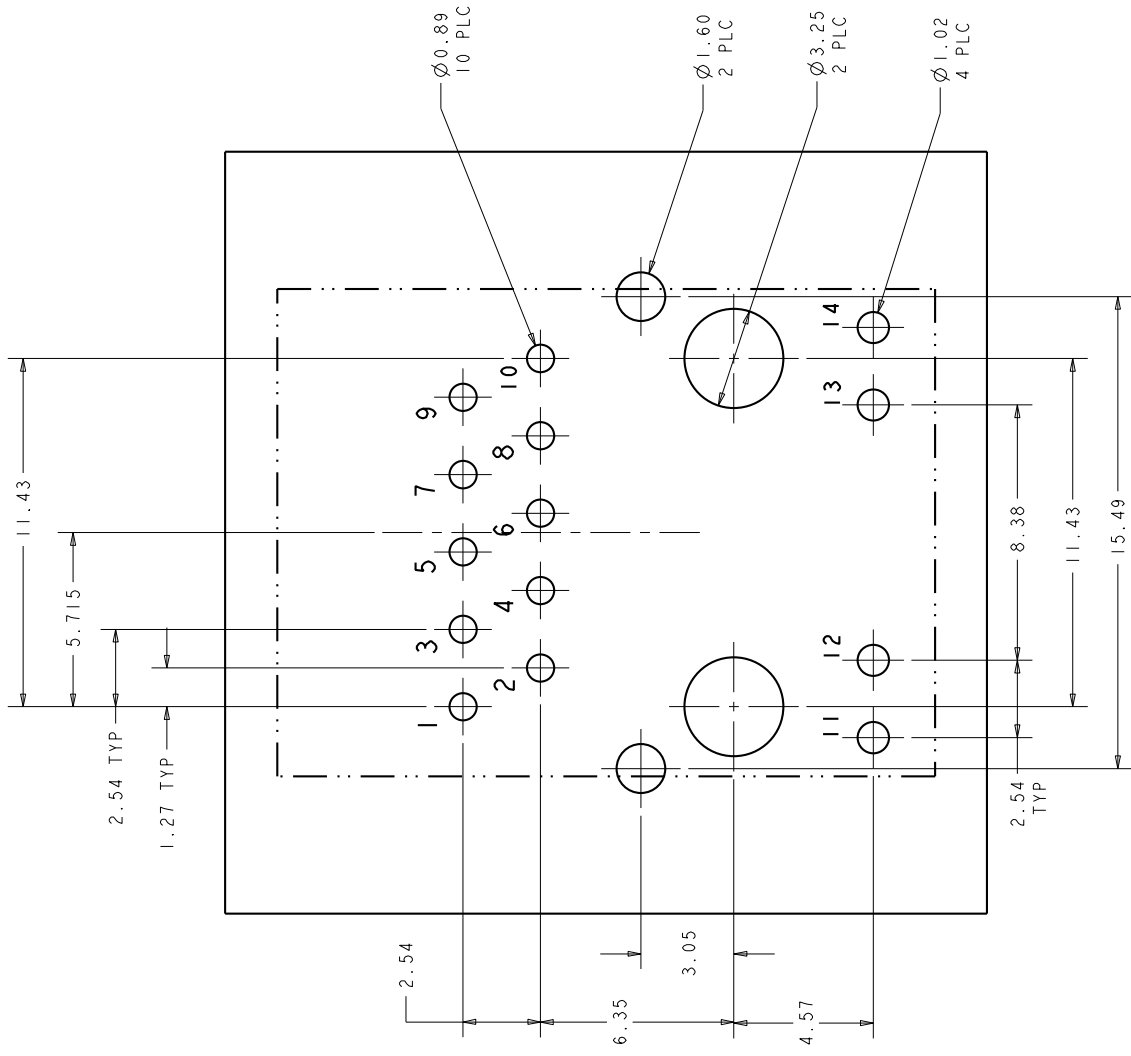
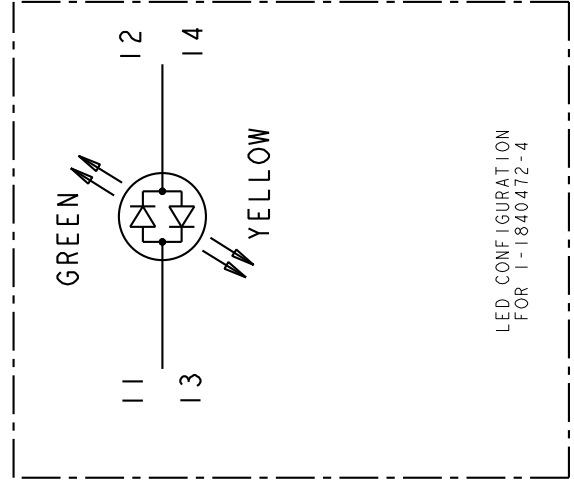
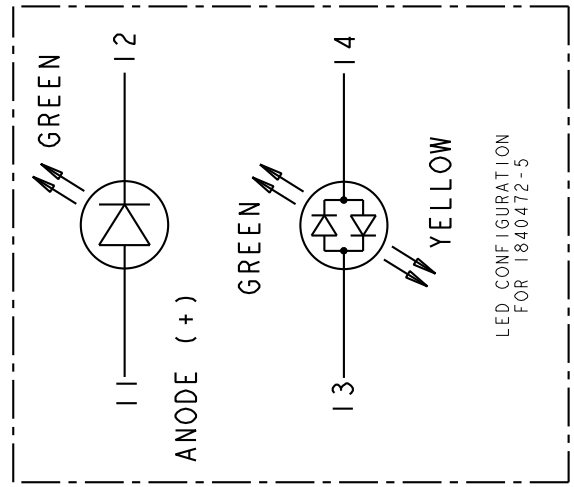
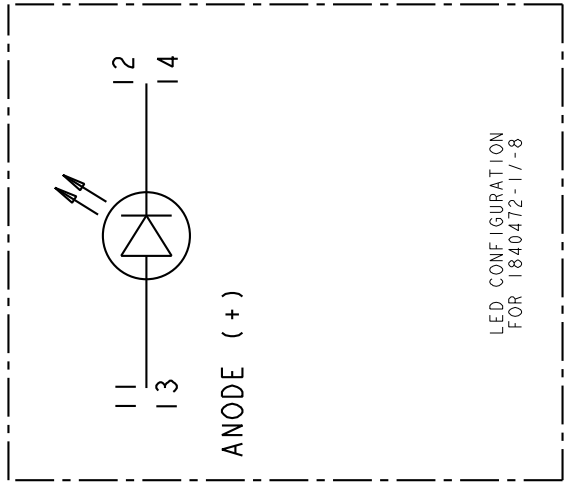
 PRODUCT SPEC 108-2100

SCALE 4:1 SHEET 1 OF 2 REV G

4G46ETPI GIGABIT CIRCUIT



C2 - C5 = 0.1 uF, 50V, CAPACITOR
 C1 = 1000pF, 2kV, CAPACITOR
 R1 - R4 = 75 Ohms, RESISTOR



SUGGESTED PCB LAYOUT (TOL: ±0.051)
 (COMPONENT SIDE VIEW)

THIS DRAWING IS A CONTROLLED DOCUMENT.		DWN: WYKIN LEE 09 JAN 2009		DONGGUAN CHINA	
DIMENSIONS: mm		CHK: QUENTIN LIU 09 JAN 2009		trp connector	
TOLERANCES UNLESS OTHERWISE SPECIFIED:		APVD: LI JUN RAO 09 JAN 2009		DESC: 1X1, MAGJACK, VERTICAL	
0 PLC ±0.25		MODEL NAME: MAGJACK		4G46ETPI, GIGABIT CIRCUIT, W/ LEDS	
1 PLC ±0.25		SIZE: SINGLE NON-POE		RESTRICTED TO	
2 PLC ±0.25		DRAWING NO: G-1840472		-	
3 PLC ±0.25		SCALE: 4:1		SHEET 2 OF 2	
4 PLC ±0.25		CUSTOMER DRAWING		REV G	
APPLIC. SPEC: ±		PRODUCT SPEC: 108-2100			