

UNIT SSR

SKU:U122



Description

UNIT SSR Solid-state relays are different from traditional electromagnetic relays in that their switching life are much longer than that of electromagnetic relays. With integrated MOC3043M optocoupler isolation and zero-crossing detection,It supports input 3.3-5V DC control signal, and control output single-phase 220-250V AC power.

UNIT SSR are controlled by power semiconductor devices, with microsecond on/off speed and built-in overcurrent protection. Extensively used in lighting control, CNC machine tools, etc., where frequent on/off lines and fast response are required.

Note:

1. Please be careful when using high voltage AC loads, and do not operate with electricity.
2. This relay is for AC loads only.

Product Features

- Over-zero type SSR
- Built-in over-current protection
- Built-in opto-coupler isolation, with over-zero detection
- High speed, Low noise, Durable, high reliability, high sensitivity
- More convenient to access with GROVE interface
- Supports UIFlow graphic programming, realizing the relay remote control with M5 controller in just 3 mins!

Advantages over mechanical relays:

- 1.Faster on/off speed and no physical contact wear.
- 2.Completely silent operation.
3. No electrical sparks for use in complex environments.

- 4.Long lasting
- 5 .Compact size

Include

- 1x Unit SSR
- 1x HY2.0-4P Cable

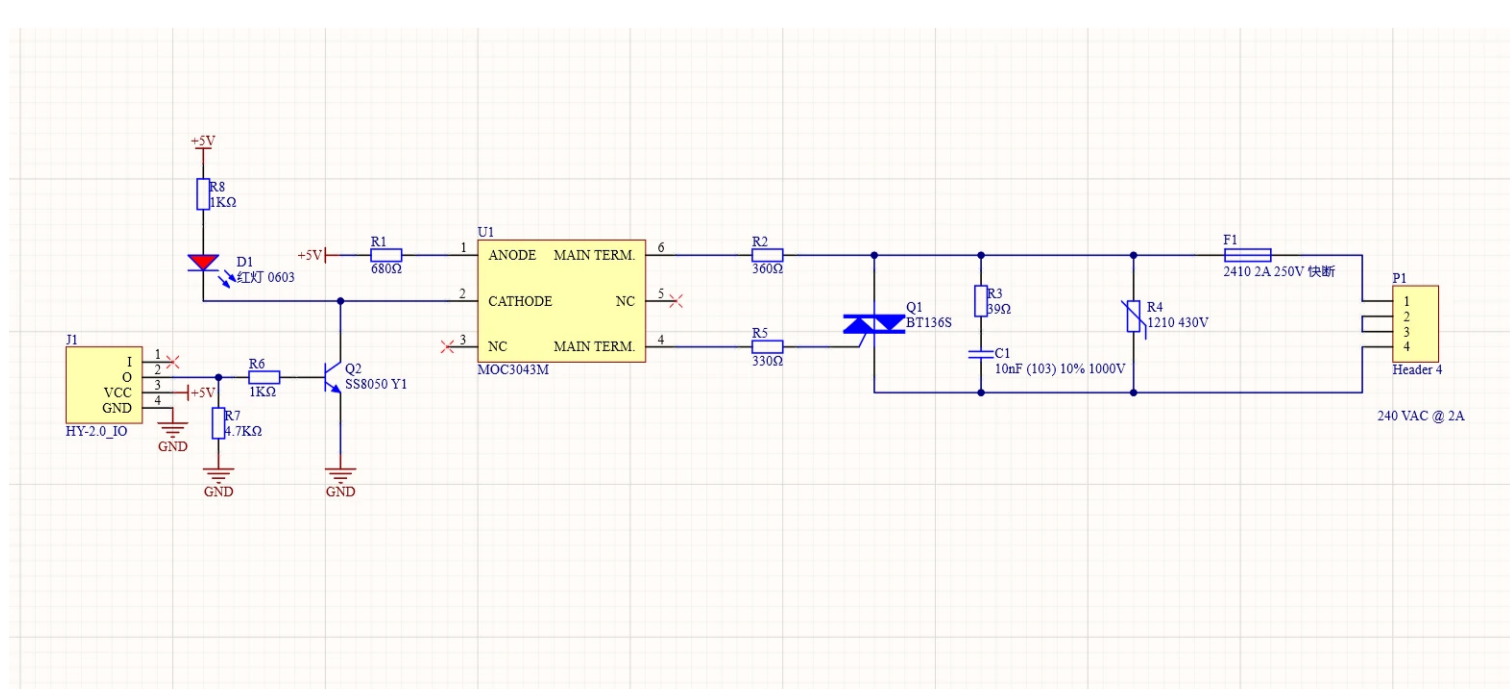
Applications

- Motor control
- Industrial and domestic lighting
- Heating and static switching
- Stage lighting
- Medical equipment, traffic signal lights

Specifications

Resources	Parameter
SCR Model	BT136S
Optocoupler Isolation Model	MOC3043
Control Signal	3.3-5V DC
On/Off Voltage	单相 AC: 220-250V
Max. load current	2A
Number of control channels	1
Overcurrent protection	Fuse: 2A
Operating Temperature	-10 to +80°C
Net Weight	52g
Gross Weight	70g
Product Dimensions	54 x 54 x 16mm
ackage Size	75 x 60 x 20mm

Schematics



Related Links

- Datasheet
 - [BT136S](#)
 - [MOC3043M](#)

Examples

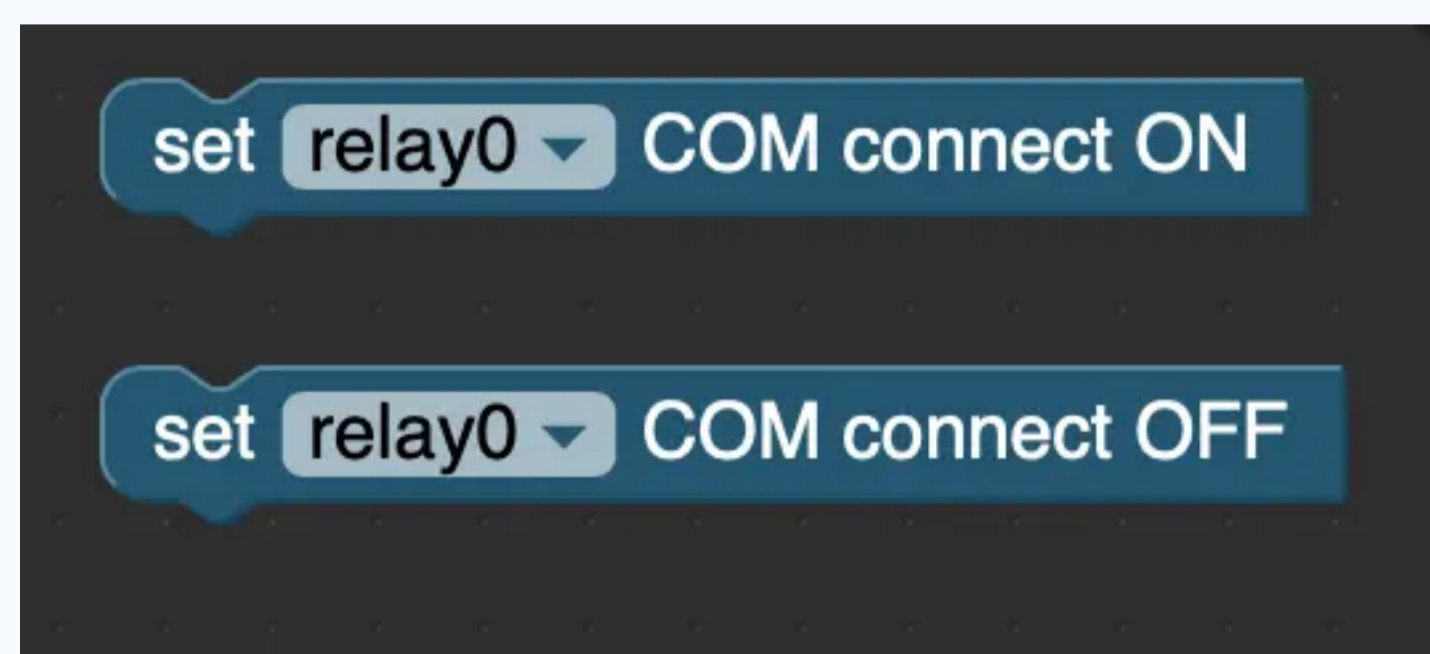
UIFlow

Feature Introduction

Control the relay to switch on and off



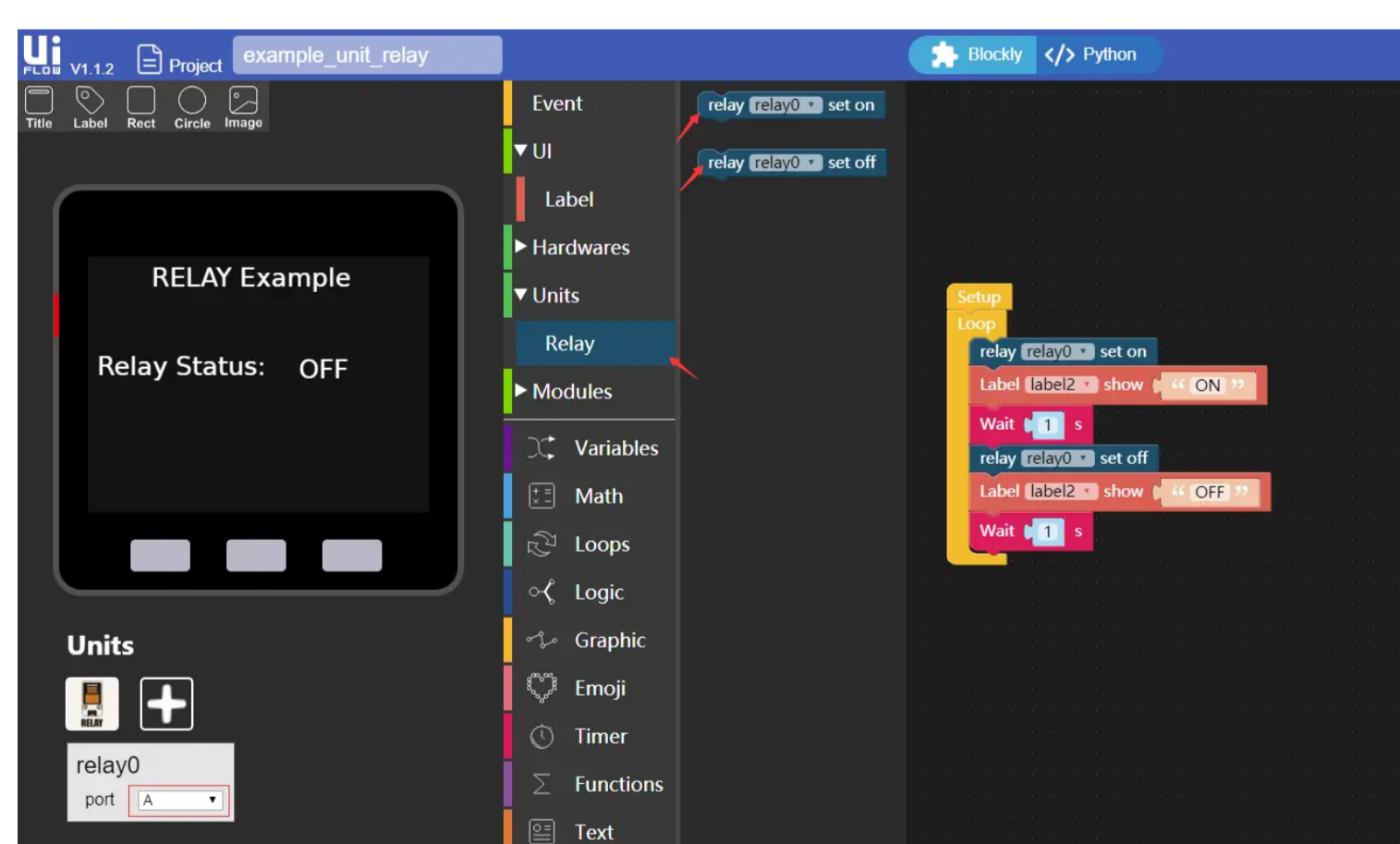
The control signals of SSR UNIT and RELAY UNIT are the same, and RELAY Block can be used directly for control in UIFlow.



- **set COM connect ON** Control relay closure
- **set COM connect OFF** Control relay disconnect

Usage

- [Click here to download the UIFlow example](#)



Arduino

```
#include <M5Stack.h>
```

```
void setup() {
```

```
  M5.begin();
```

```
  M5.Power.begin();
```

```
  M5.Lcd.clear(BLACK);
```

```
M5.Lcd.clear(BLACK);
M5.Lcd.setTextFont(4);
M5.Lcd.setTextColor(YELLOW, BLACK);
M5.Lcd.setCursor(50, 0, 4);
M5.Lcd.println("SSR Example");
//disable the speak noise
dacWrite(25, 0);
pinMode(26, OUTPUT);
}

void loop(void) {
  digitalWrite(26, HIGH);
  delay(500);
  digitalWrite(26, LOW);
  delay(500);
}
```

| Video
