

ENV III HAT

SKU:U053-D



Description

ENV III HAT is a multifunctional environmental sensor adapted to the M5StickC series. It integrates SHT30 and QMP6988 internally to detect temperature, humidity, and atmospheric pressure data. SHT30 (0x44) is a high-precision, low-power digital temperature sensor. Humidity sensor. QMP6988 (0x56) is an absolute air pressure sensor specially designed for mobile applications with high accuracy. For projects that require rapid collection and detection of environmental data, ENV-III HAT is a balanced performance Good choice with cost performance.

Product Features

- Temperature, humidity, air pressure
- High reliability and long-term stability
- High accuracy

Include

- 1x ENV III HAT
- 1x double-sided tape

Applications

- Weather station
- Storage barn environment monitoring

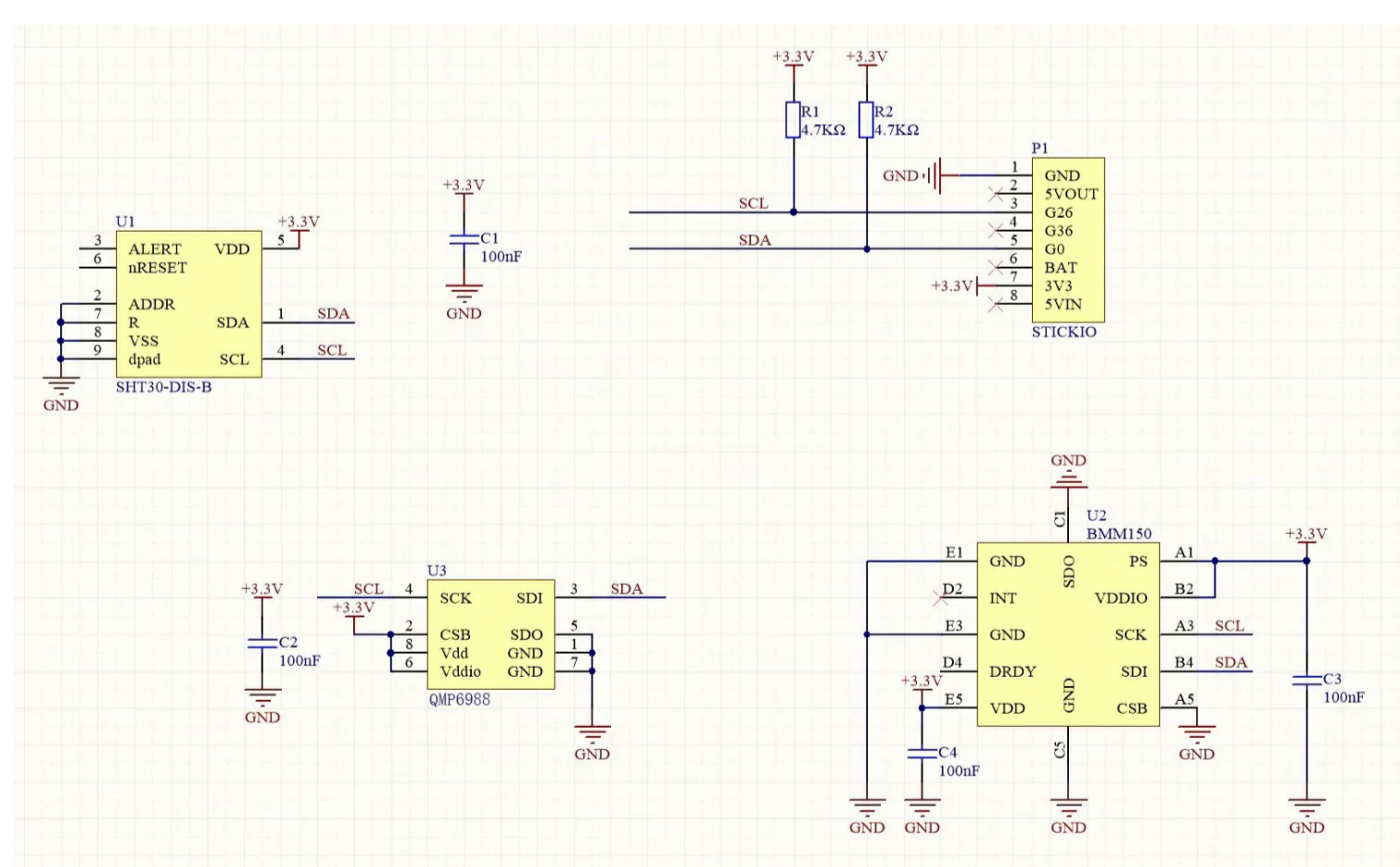
Specification

Maximum temperature measurement range	-40 ~ 120 °C
Highest measurement accuracy	0 ~ 60 °C/±0.2°C
Humidity measurement range/error	10 ~ 90 %RH / ±2%
Maximum measured value of air pressure/resolution/error	300 ~ 1100hPa / 0.06Pa / ±3.9Pa
Communication protocol	I2C: SHT30(0x44), QMP6988(0x56)
Working temperature	32°F to 104°F (0°C to 40°C)
Net weight	4g
Gross weight	8g
Product Size	15*24*14mm
Package Size	36*36*18mm
Case Material	Plastic (PC)

PinMap

M5StickC	GPIO26	GPIO0	3.3V	GND
ENV III HAT	SCL	SDA	3.3V	GND

Schematic



Related Link

- [Datasheet](#)
 - [QMP6988](#)
 - [SHT30](#)

Example

1. Arduino

- HAT ENV III TEST