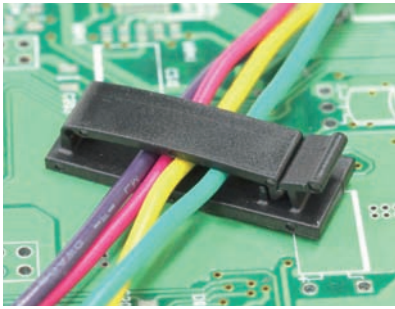
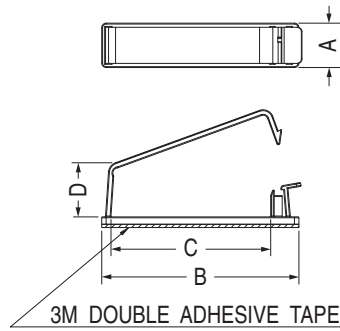


## 電線固定座 FLAT CABLE CLAMP

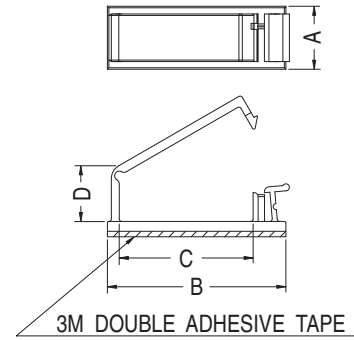
用途：背膠式，用於電子、電腦內部電線固定，裝配容易，美觀不脫落。



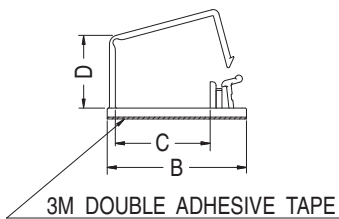
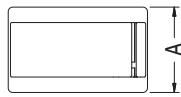
- Material: Nylon 66 (UL)
- Flame Class: 94V-2/94V-0
- Color: Natural/Black
- Unit: mm



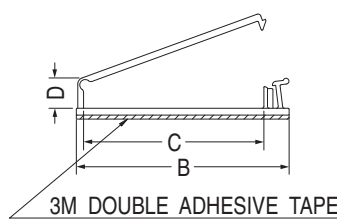
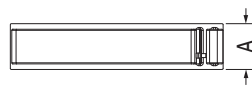
【 FCU-14 】



3M DOUBLE ADHESIVE TAPE

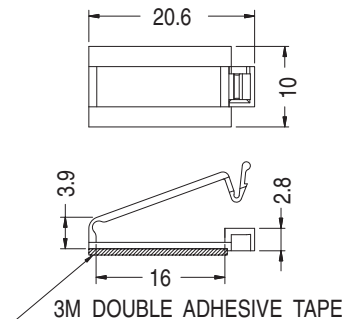


【 FCU-9 】

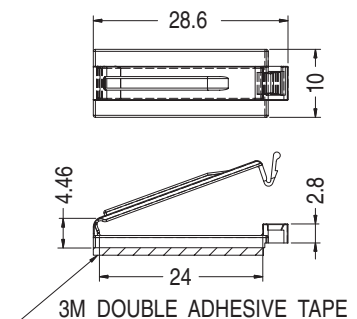


【 FCU-13 】

Part No.	A	B	C	D	Package
FCU-1	12.7	40.7	31.5	5.5	200
FCU-2	12.7	36.0	27.0	11.2	
FCU-3	15.0	36.0	27.0	13.9	
FCU-4	12.5	35.8	26.8	8.3	
FCU-5	12.7	26.2	17.0	4.55	
FCU-7	10.0	28.0	19.0	3.4	100
FCU-8	12.9	72.3	63.1	6.7	
FCU-9	18.8	30.7	20.9	16.0	
FCU-12	10.0	26.2	17.0	11.6	
FCU-13	12.7	59.0	50.0	8.4	
★FCU-14	15.0	66.7	54.0	20.0	200
★FCU-15	12.7	41.0	32.0	12.4	



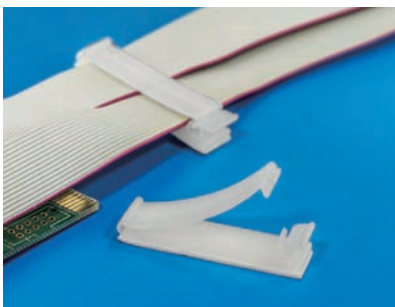
Part No.	Package
FCAB-2	500



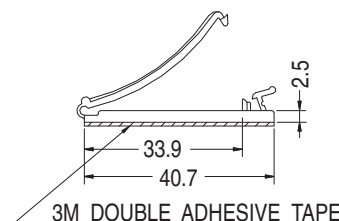
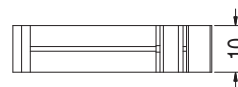
Part No.	Package
FCAB-3	500

## 排線固定座 FLAT CABLE CLAMP

用途：背膠式，用於電子、電腦內部排線固定，裝配容易，美觀不脫落。



- Material: Nylon 66 (UL)
- Flame Class: 94V-2/94V-0
- Color: Natural/Black
- Unit: mm



3M DOUBLE ADHESIVE TAPE

Part No.	Package
FCJ-40	100