



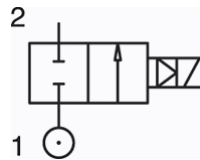
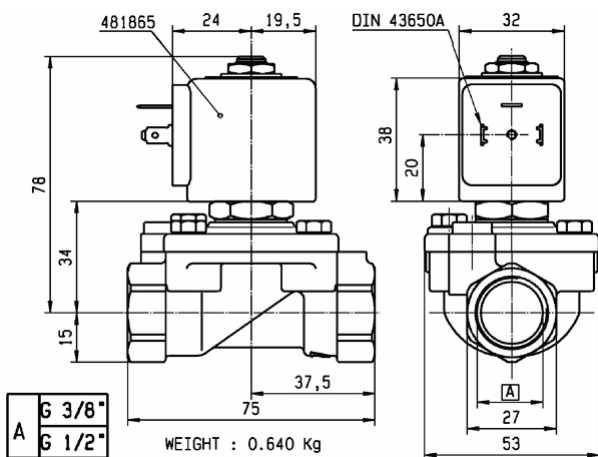
## 2/2 Normally Closed

Valves for dry or lubricated air, neutral gases and liquids

Order Code : 221G6536-2995-481865C2

<b>Valve type</b>	2/2 Normally Closed	<b>Fluids</b>	air water oil
		<b>Actuation type/Voltage</b>	24 VDC
		<b>Voltage tolerance</b>	+/-10%
<b>Port size</b>	1/2"	<b>Options</b>	
<b>Body Material</b>	316L Stainless St.		SIL
<b>Pressure min</b>	0	<b>Ambient T°min</b>	-10
<b>Pressure max</b>		<b>Ambient T°max</b>	50
<b>Orifice diameter</b>	15	<b>Kv</b>	/ 65
<b>T°fluid min</b>	-10	<b>ATEX zone</b>	
<b>T°fluid max</b>	100	<b>ATEX protection</b>	
<b>Power Max</b>	9W	<b>ATEX class</b>	F 155°C
<b>Sealing material</b>	FKM	<b>ATEX protection dust</b>	
<b>IP Level</b>	IP65	<b>ATEX protection gas</b>	

2/2



Valves with model number ending in 30 or 31 are mainly equipped with electrical parts for explosion proof applications or with standard DC coils.

Valve only compatible with hydraulic oil and air/neutral gases