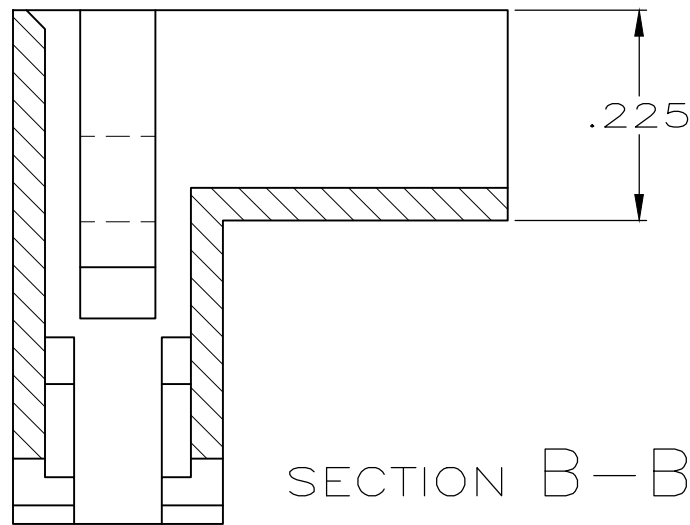


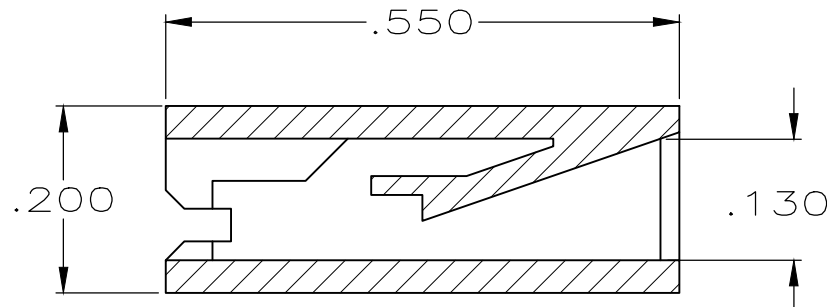
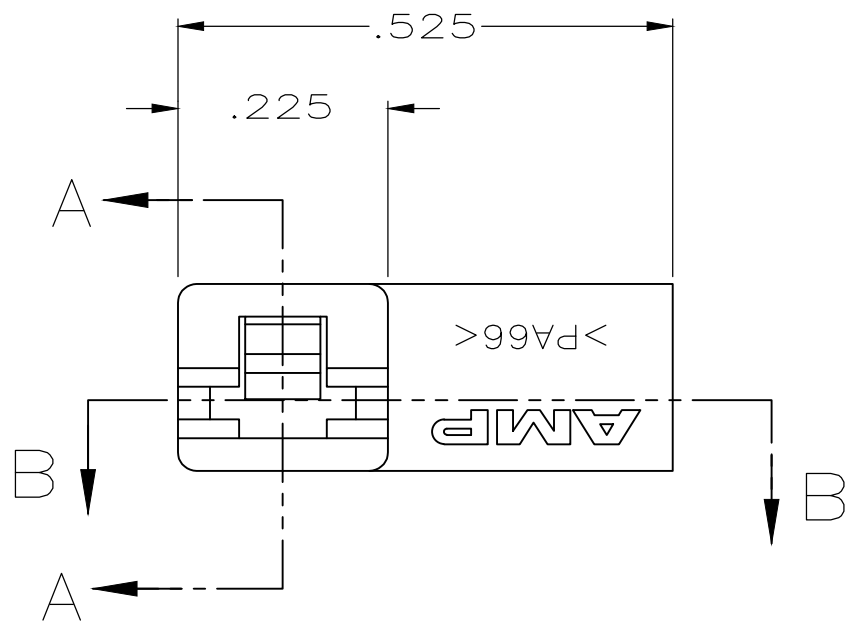
DRAWING MADE IN THIRD ANGLE PROJECTION

THIS DRAWING IS UNPUBLISHED. RELEASED FOR PUBLICATION, 19 .  
 © COPYRIGHT 19 BY AMP INCORPORATED. ALL INTERNATIONAL RIGHTS RESERVED.

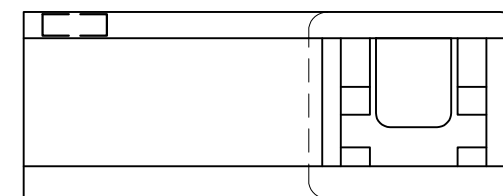
LOC	DIST	P	F	REVISIONS			
ZONE	LTR	DESCRIPTION	DATE	APPD			
AF	50			D1	REVISED PER ECR-19-009702	26AUG2019	BDA/DS



SECTION B-B



SECTION A-A



- 1 TO BE USED WITH TERMINAL #61070.
- 2 THIS PRODUCT HAS NOT COMPLETED VALIDATION TESTING AGENCY CERTIFICATION PENDING
- 3 PRELIMINARY PART

3	NYLON V0	360040-2	2
	NYLON V2	360040-1	
	MATERIAL	PART NO	

DO NOT SCALE PRINT. UNLESS SPECIFIED DIMENSIONS ARE IN INCHES TOLERANCES ON: 2 PLC DEC ± - 3 PLC DEC ± .015 ANGLES ± -	DR 2/4/91 JR RUTH			
	CHK 2/4/91 P FORTNEY			
	MATERIAL 6/6 NYLON	APPD 2/4/91 C MEYERS	NAME HOUSING, FASTON™ .110 SERIES	
	FINISH NATURAL	APPD 2/4/91 D REINER	SIZE B	CAGE CODE 00779
	PRODUCT SPEC -	SCALE 5:1	SHEET 10F 1	
	APPLICATION SPEC -			
	WEIGHT -			

# Mouser Electronics

Authorized Distributor

Click to View Pricing, Inventory, Delivery & Lifecycle Information:

[TE Connectivity:](#)

[360040-1](#)