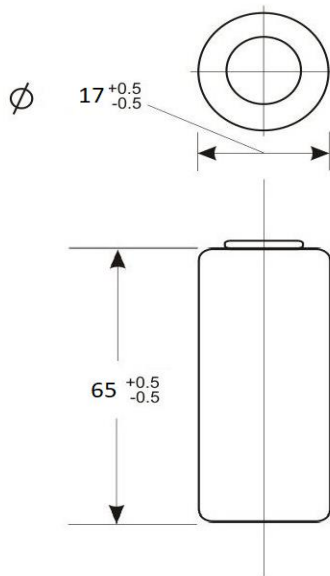


## QBAT INDUSTRIAL ICR17650 1800mAh

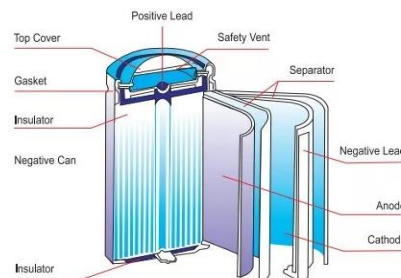
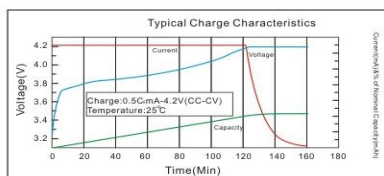
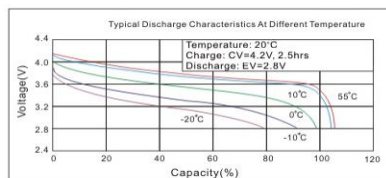
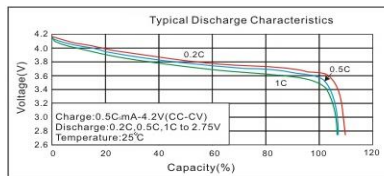
Li-ion Cylindrical Battery

Size: 17650

### Typical Characteristics



QBAT INDUSTRIAL ICR17650 1800mAh			
Specifications			
Nominal Voltage (V)		3.6V	
Capacity	Discharge rate	C/5	1C
	Nominal (mAh)	1800	1720
	Typical (mAh)	1850	1770
Dimension	Diameter (mm)	17 <sup>+0.5</sup> / <sub>-0.5</sub>	
	Height (mm)	65 <sup>+0.5</sup> / <sub>-0.5</sub>	
Charging	Standard	180 mA x 15 hrs	
	Quick	1800 mA x 1.2 hrs T <sub>max</sub> =45°C -ΔV = 5~8mV	
Operating Temperature (°C)	Standard Charging	0 ~ 45°C	
	Quick Charging	10 ~ 40°C	
	Discharging	-20 ~ 60°C	
	Storage	-20 ~ 35°C	
Internal Resistance		≤52m Ohm (upon 50% discharge)	
Weight		Approx.42g	
Cuff-off Voltage (V)		3.00V	



**Cylindrical**

The data shown is correct at a temperature of 20±5°C Shutdown at-ΔV= 15mV, after reaching 120% of the rated capacity or at a temperature above 55°C