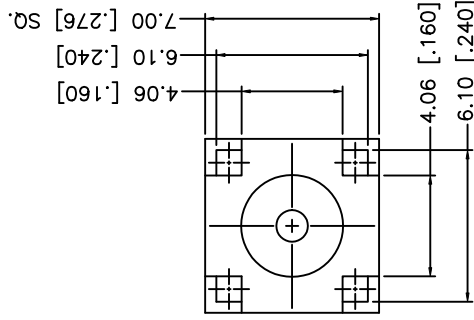
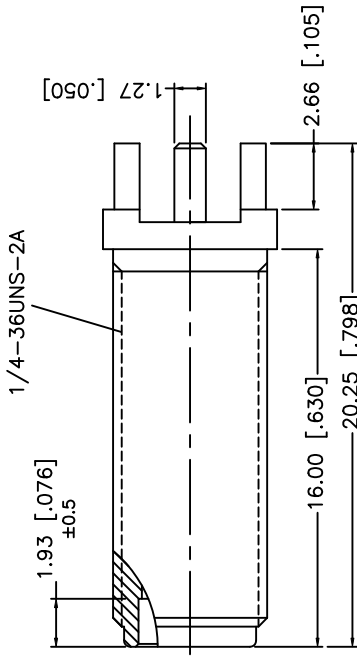
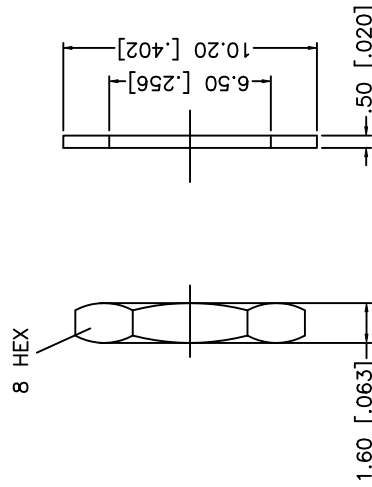
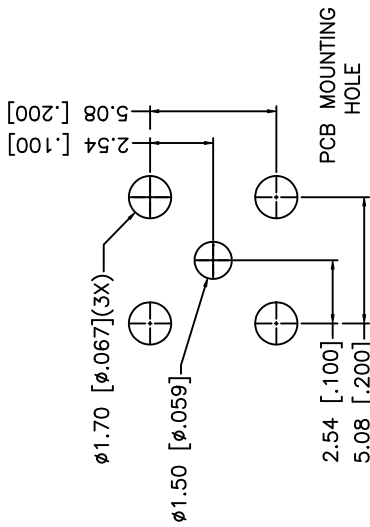


| REV. | DATE | ECR NO. | DESCRIPTION |
|------|----------|---------|--------------------------------|
| NC | 12/12/05 | - | INITIAL RELEASE |
| A | 10/14/08 | - | REVISE OVERALL LENGTH TO 20.25 |



NOTE:

1. MAX. PANEL THICKNESS = 7.5mm

| APPROVALS | | DATE | | |
|--|----------------|-------------|---------|---|
| DRAWN | GRS | 10/14/08 | | |
| CHECKED | | | | |
| ISSUED | | | | |
| SHEET | 1 OF 1 | | | |
| CAD FILE C:/132/132291-12.DWG | | | | |
| UNLESS OTHERWISE SPECIFIED DIMENSIONS ARE IN MILLIMETERS. DIMENSIONS IN [] ARE IN INCHES AND FOR CUSTOMER REFERENCE ONLY. | | | | |
| UNLESS OTHERWISE SPECIFIED TOLERANCES FOR MILLIMETERS ARE: | | | | |
| 0.5 - 8mm ± 0.20mm | | | | |
| 8 - 30mm ± 0.40mm | | | | |
| 30 - 120mm ± 0.50mm | | | | |
| UNLESS OTHERWISE SPECIFIED TOLERANCES FOR INCHES ARE: | | | | |
| .020 - .315 = ± 0.007" | | | | |
| .315 - 1.180 = ± 0.015" | | | | |
| 1.180 - 4.724 = ± 0.020" | | | | |
| DO NOT SCALE DRAWING | | | | |
| DESCRIPTION | MATERIAL | FINISH | QTY | |
| 8 | HEX NUT | BRASS | GOLD | 1 |
| 7 | LOCK WASHER | BRASS | GOLD | 1 |
| 6 | CONTACT PIN | BER. COPPER | GOLD | 1 |
| 5 | INSULATOR BODY | PTFE | NATURAL | 1 |
| 4 | INSULATOR BODY | BRASS | GOLD | 1 |
| PART DESCRIPTION | | | | |
| SMA BULKHEAD P.C. MOUNT JACK | | | | |
| PART NO. 132291-12 | | | | |
| DWG. NO. 132291-12.DWG | | | | |
| REV. A | | | | |
| SCALE NA | | | | |

Amphenol Connex

SMA BULKHEAD P.C. MOUNT JACK

132291-12

SCALE NA

SIZE A

REV. A

132291-12.DWG

DWG. NO.

132291-12.DWG

REV. A

SCALE NA

SIZE A

REV. A

132291-12.DWG

DWG. NO.

132291-12.DWG

REV. A

SCALE NA

SIZE A

REV. A

132291-12.DWG

DWG. NO.

132291-12.DWG

REV. A

SCALE NA

SIZE A

REV. A

132291-12.DWG

DWG. NO.

132291-12.DWG

REV. A

SCALE NA

SIZE A

REV. A

132291-12.DWG

DWG. NO.

132291-12.DWG

REV. A

SCALE NA

SIZE A

REV. A

132291-12.DWG

DWG. NO.

132291-12.DWG

REV. A

SCALE NA

SIZE A

REV. A

132291-12.DWG

DWG. NO.

132291-12.DWG

REV. A

SCALE NA

SIZE A

REV. A

132291-12.DWG

DWG. NO.

132291-12.DWG

REV. A

SCALE NA

SIZE A

REV. A

132291-12.DWG

DWG. NO.

132291-12.DWG

REV. A

SCALE NA

SIZE A

REV. A

132291-12.DWG

DWG. NO.

132291-12.DWG

REV. A

SCALE NA

SIZE A

REV. A

132291-12.DWG

DWG. NO.

132291-12.DWG

REV. A

SCALE NA

SIZE A

REV. A

132291-12.DWG

DWG. NO.

132291-12.DWG

REV. A

SCALE NA

SIZE A

REV. A

132291-12.DWG

DWG. NO.

132291-12.DWG

REV. A

SCALE NA

SIZE A

REV. A

132291-12.DWG

DWG. NO.

132291-12.DWG

REV. A

SCALE NA

SIZE A

REV. A

132291-12.DWG

DWG. NO.

132291-12.DWG

REV. A

SCALE NA

SIZE A

REV. A

132291-12.DWG

DWG. NO.

132291-12.DWG

REV. A

SCALE NA

SIZE A

REV. A

132291-12.DWG

DWG. NO.

132291-12.DWG

REV. A

SCALE NA

SIZE A

REV. A

132291-12.DWG

DWG. NO.

132291-12.DWG

REV. A

SCALE NA

SIZE A

REV. A

132291-12.DWG

DWG. NO.

132291-12.DWG

REV. A

SCALE NA

SIZE A

REV. A

132291-12.DWG

DWG. NO.

132291-12.DWG

REV. A

SCALE NA

SIZE A

REV. A

132291-12.DWG

DWG. NO.

132291-12.DWG

REV. A

SCALE NA

SIZE A

REV. A

132291-12.DWG

DWG. NO.

132291-12.DWG

REV. A

SCALE NA

SIZE A

REV. A

132291-12.DWG

DWG. NO.

132291-12.DWG

REV. A

SCALE NA

SIZE A

REV. A

132291-12.DWG

DWG. NO.

132291-12.DWG

REV. A

SCALE NA

SIZE A

REV. A

132291-12.DWG

DWG. NO.

132291-12.DWG

REV. A

SCALE NA

SIZE A

REV. A

132291-12.DWG

DWG. NO.

132291-12.DWG

REV. A

SCALE NA

SIZE A

REV. A

132291-12.DWG

DWG. NO.

132291-12.DWG

REV. A

SCALE NA

SIZE A

REV. A

132291-12.DWG

DWG. NO.

132291-12.DWG

REV. A

SCALE NA

SIZE A

REV. A

132291-12.DWG

DWG. NO.

132291-12.DWG

REV. A

SCALE NA

SIZE A

REV. A

132291-12.DWG

DWG. NO.

132291-12.DWG

REV. A

SCALE NA

SIZE A

REV. A

132291-12.DWG

DWG. NO.

132291-12.DWG

REV. A

SCALE NA

SIZE A

REV. A

132291-12.DWG

DWG. NO.

132291-12.DWG

REV. A

SCALE NA

SIZE A

REV. A

132291-12.DWG

DWG. NO.

132291-12.DWG

REV. A

SCALE NA

SIZE A

REV. A

132291-12.DWG

DWG. NO.

132291-12.DWG

REV. A

SCALE NA

SIZE A