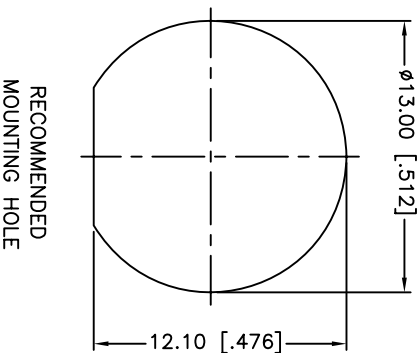
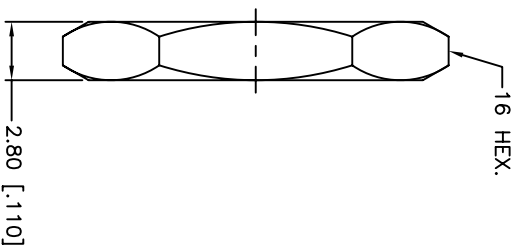
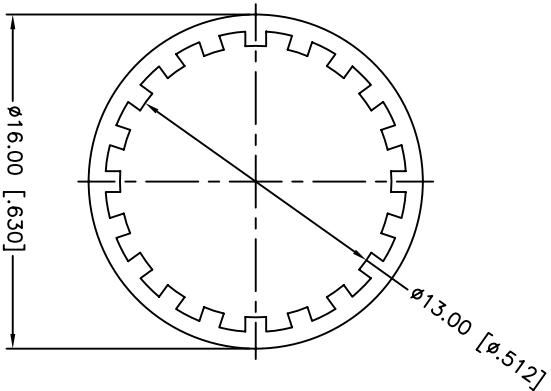
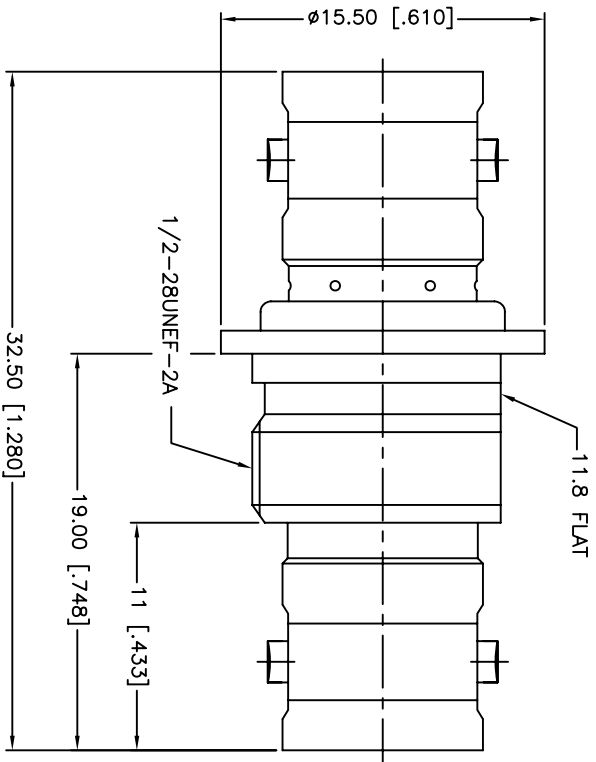


REV.	DATE	ECR NO.	DESCRIPTION
NC	06/15/98	XXXXXX	INITIAL RELEASE
A	05/13/08	100015	UPDATE DRAWING FORMAT
B	06/21/11	2185	ADD NOTE 1, 2, 3



1. IMPEDANCE: 50 OHMS
2. FREQUENCY RANGE: 0-4 GHz
3. MAX. PANEL THICKNESS: 4.5MM

QTY	DESCRIPTION	MATERIAL	FINISH
1	HEX NUT	BRASS	NICKEL
1	LOCK WASHER	BRASS	NICKEL
1	INSULATOR	DELRI	NATURAL
1	CONTACT PIN	PHOSPHOR BRONZE	GOLD
1	INSULATOR	DELRI	NATURAL
1	BODY	BRASS	NICKEL

UNLESS OTHERWISE SPECIFIED, DIMENSIONS ARE IN INCHES AND FOR CUSTOMER REFERENCE ONLY.

UNLESS OTHERWISE SPECIFIED, TOLERANCES FOR MILLIMETERS ARE:

0.5 - 8mm ± 0.20mm
8 - 30mm ± 0.40mm
30 - 120mm ± 0.50mm

UNLESS OTHERWISE SPECIFIED, TOLERANCES FOR INCHES ARE:

.020 - .315 = ± 0.007"
.315 - 1.180 = ± 0.015"
1.180 - 4.724 = ± 0.020"

DO NOT SCALE DRAWING

APPROVALS	DATE
DRAWN M.ZHANG	06/21/11
CHECKED	
ISSUED	
SHEET 1 OF 1	

Amphenol Connex

PART DESCRIPTION
**BNC FEMALE TO FEMALE BULKHEAD
ISOLATED ADAPTOR**

PART NO. **112439**

DWG. NO. 112439.DWG

REV. B SIZE A SCALE NA