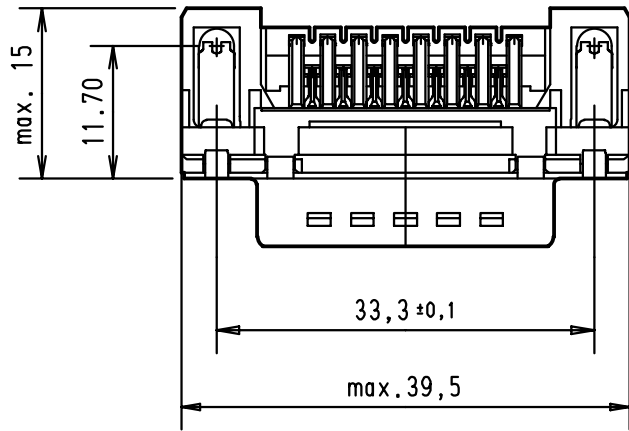
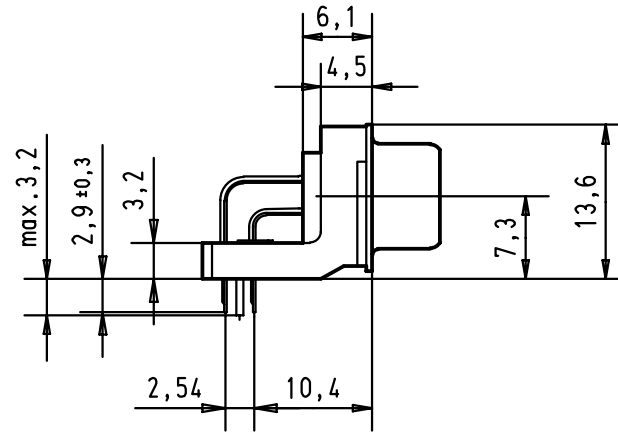
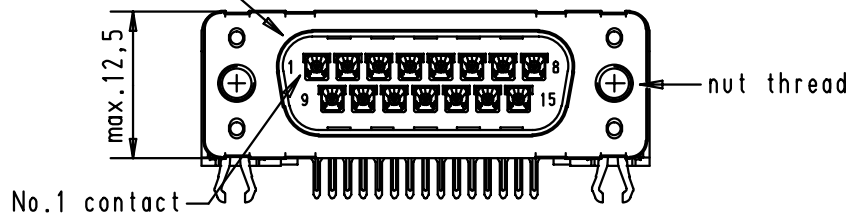
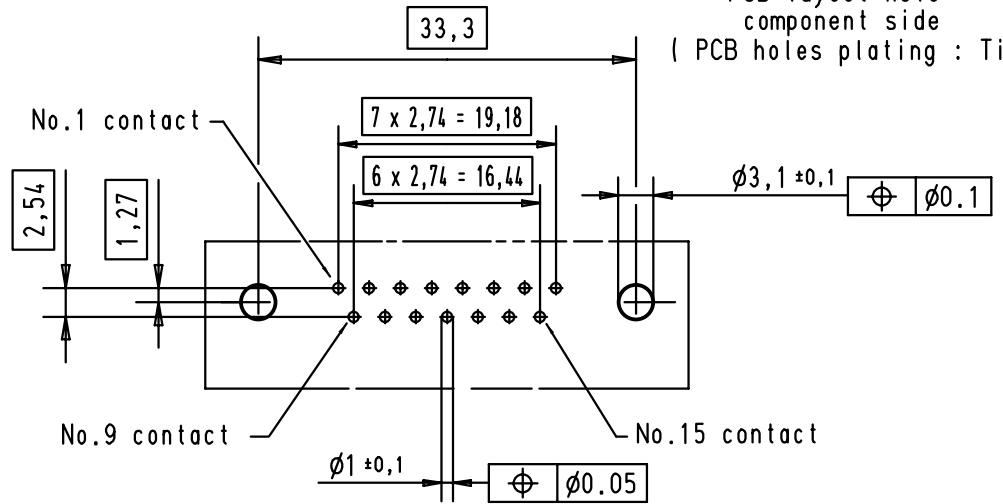


5 4 3 2 1

Mating face according to : MIL-C-24308 / DIN 41652 / CECC 75301-802





PCB layout hole component side ( PCB holes plating : Tin )



Connector retention and insertion forces on the PCB = 25 / 80 newtons

A

09 65 262 6811	M3	2								 All Dim. in mm Orig. Size DIN A 4	D-Sub, male, standard angle, 15 poles, with solder pin, nut and grounding board lock	Maßstab/ Scale 1.5:1
09 65 262 7811	M3	3										
09 65 262 5811	M3	0.76 µm Au										
09 65 262 6812	4-40 UNC	2										
09 65 262 7812	4-40 UNC	3	29689	02/07/01	AA							
09 65 262 5812	4-40 UNC	0.76 µm Au	27960	15/dec/00	ALSPACE							
Part number	Nut thread	Performance level	Mod.	Dat.	Name	HARTING EURL F-95972 Paris				TB 0965262x81x Sub.		Blatt/ Page 5 / 6