

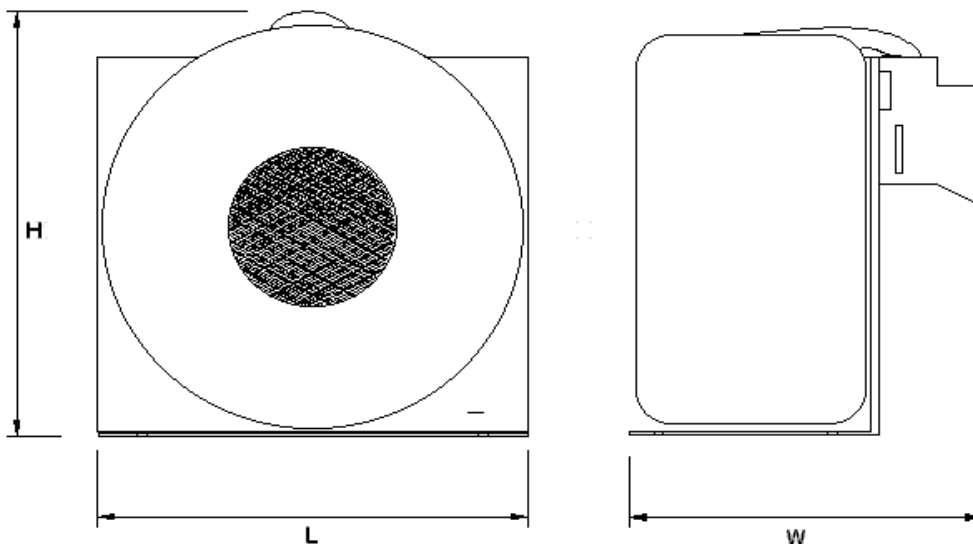
Control Panel Transformer, 75VA

Vprim	Brown	Red	Vsec	Primary	0 - Vprim±10%, 50/60Hz
		Black	0V	Secondary	Vsec - 0 - Vsec, @ 37.5VA Each (Centre-Tapped winding)
0V	Blue	Red	Vsec		

RS Part No.	Nuvotem/Talema Part No.	Primary Vprim [V]	Full Load Vsec [V]	Rated Current per Sec [A]	No Load Vsec [V]
310-3118	SFB0075-230-12	230	12V -0- 12V	3.125	13.40V -0- 13.40V
310-3168	SFB0075-230-24	230	24V -0- 24V	1.563	26.97V -0- 26.97V
310-3203	SFB0075-230-55	230	55V -0- 55V	0.682	61.74V -0- 61.74V
310-3253	SFB0075-400-12	400	12V -0- 12V	3.125	13.41V -0- 13.41V
310-3281	SFB0075-400-24	400	24V -0- 24V	1.563	27.00V -0- 27.00V
310-3332	SFB0075-400-55	400	55V -0- 55V	0.682	61.80V -0- 61.80V

Temperature Class Winding Wire (Primary & Secondary). Class H (180°C)
 Insulation between input and output. Class B (130°C)
 Connection lead insulation. Class A (105°C)

Standards Designed and manufactured to conform to the requirements of :
 EN60742 Class II, Non-Short-Circuit Proof
 EN60065 Class II (IEC65)
 EN60950 Class II
 VDE0550 Class II
 VDE0551 Class II
 BS415 Class II



Physical Data Dimensions (L x W x H) 80 x 67 x 83mm
 Mounting Holes 66 x 30mm between centres
 Approximate Weight 0.95 Kg

Terminations Screw terminals suitable for conductors 0.5mm² to 4mm², rated at 16A (VDE0551)
 Material : Polyamide 6/6 (PA 6/6), Meet requirements of VBG 4 and VDE0106, part 100
 "Finger Safety Guard" VDE0470, Part 1.