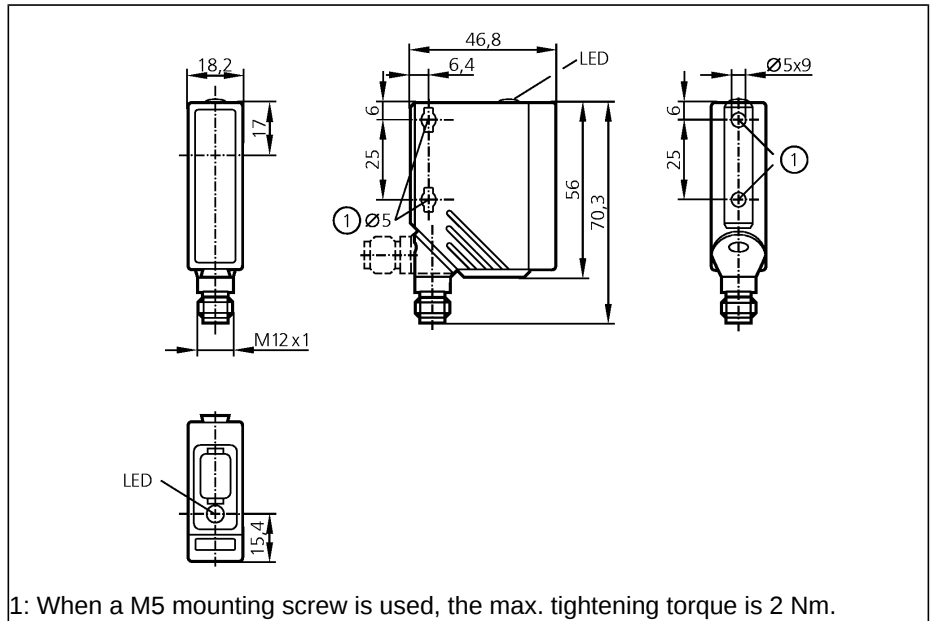


Photoelectric sensors

O5S200

O5S-00KG/US
Through-beam sensor
Rectangular plastic
Plug and socket
Transmitter

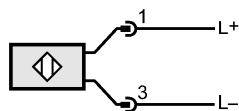
Sensing range 20m



Electrical design	
Light spot diameter	[mm]
Operating voltage	[V]
Reverse polarity protection	
Current consumption	[mA]
Type of light	
Operating temperature	[°C]
Protection	
EMC	
Housing material	
Material lens	
Function display	
Operation	LED
Connection	
Remarks	

DC	
Light spot diameter	500 (at maximum range)
Operating voltage	10...36 DC
Reverse polarity protection	yes
Current consumption	20
Type of light	Red light 624 nm
Operating temperature	-25...60
Protection	IP 67, II
EMC	EN 60947-5-2
Housing material	housing: PA; bezel: high-grade stainless steel; operator interface: TPE
Material lens	PMMA
Function display	
Operation	green
Connection	M12 connector
Remarks	cULus - Class 2 source required

Wiring



O5S200

excess gain graphs

