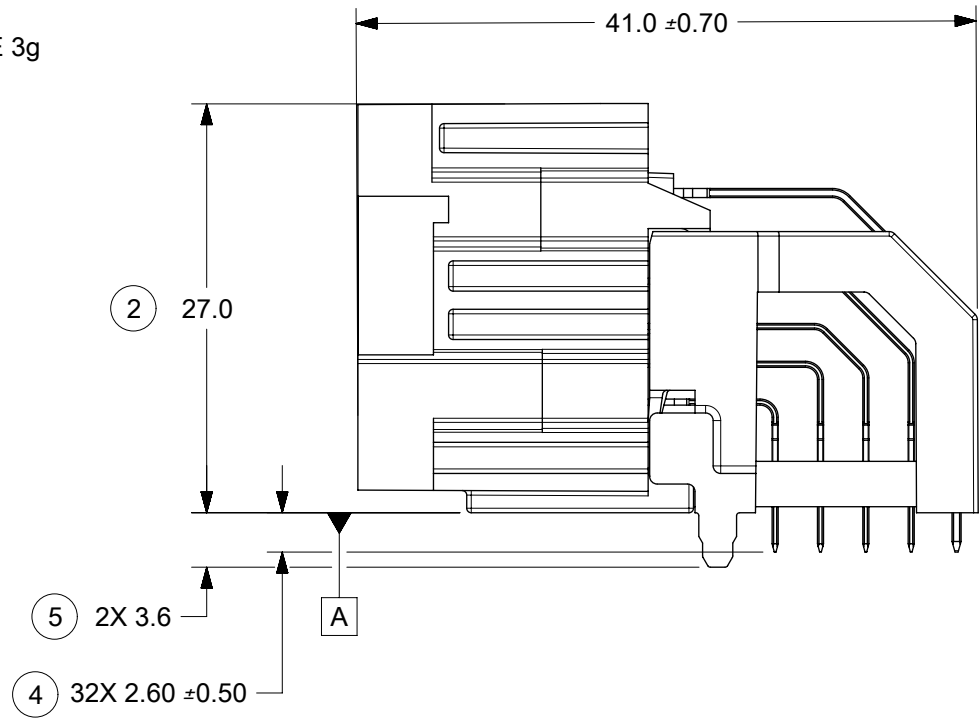
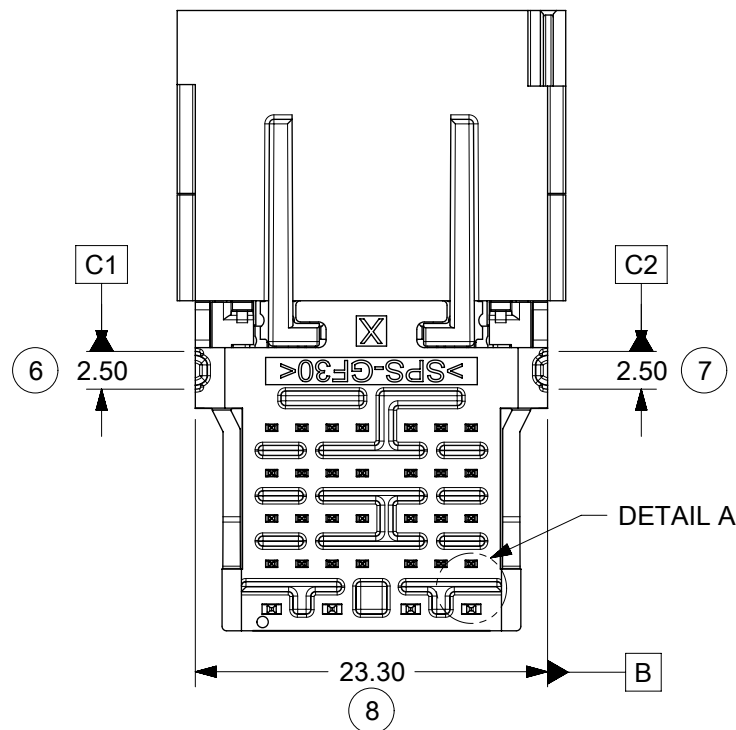
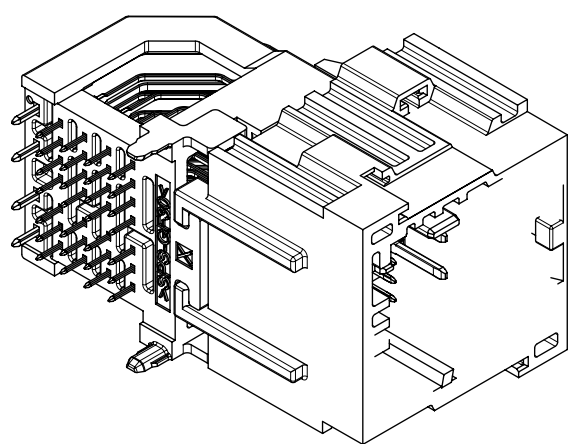


KEY 1
PART NO. 2005020321



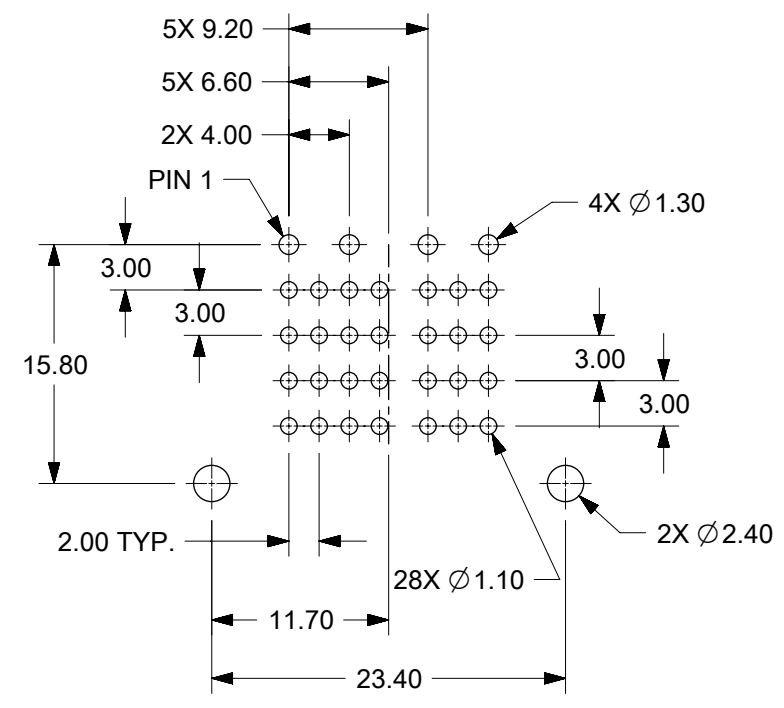
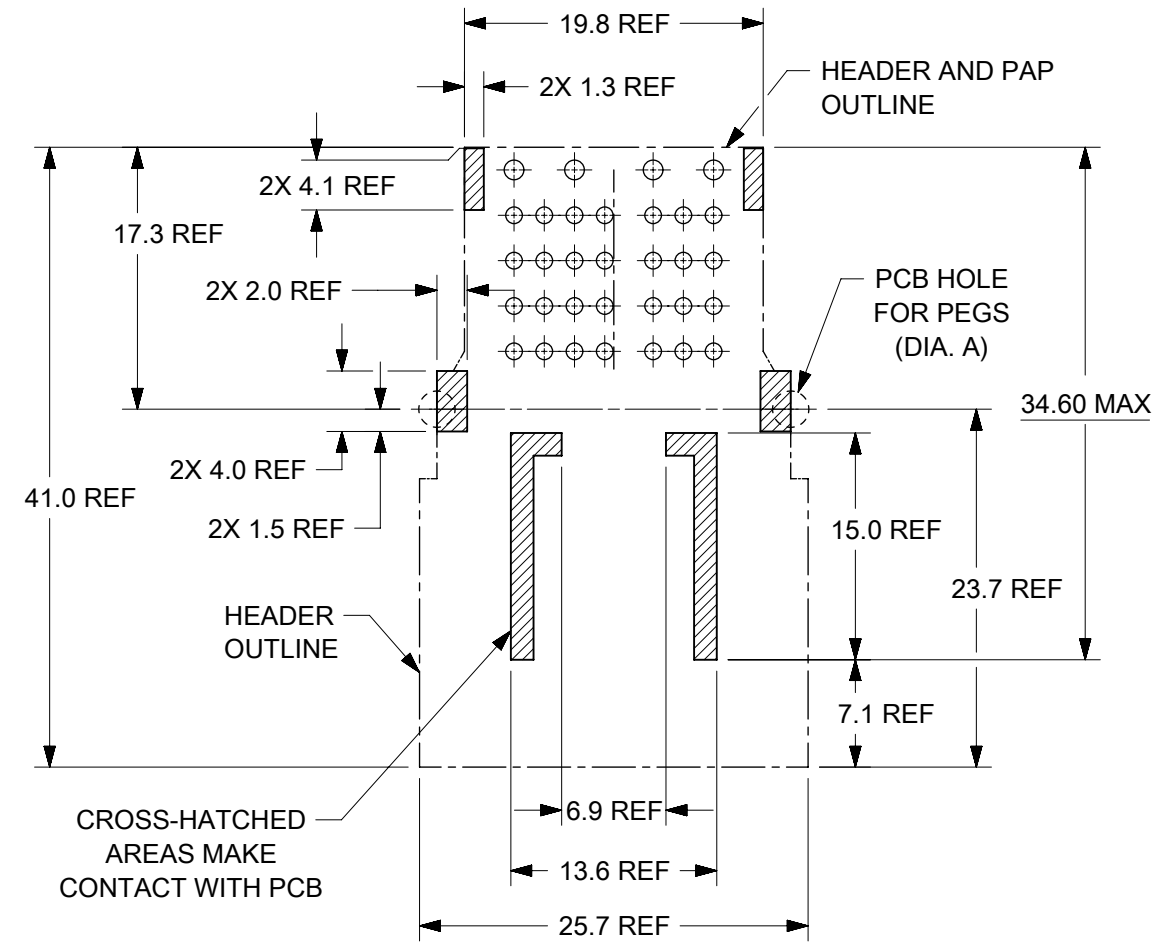
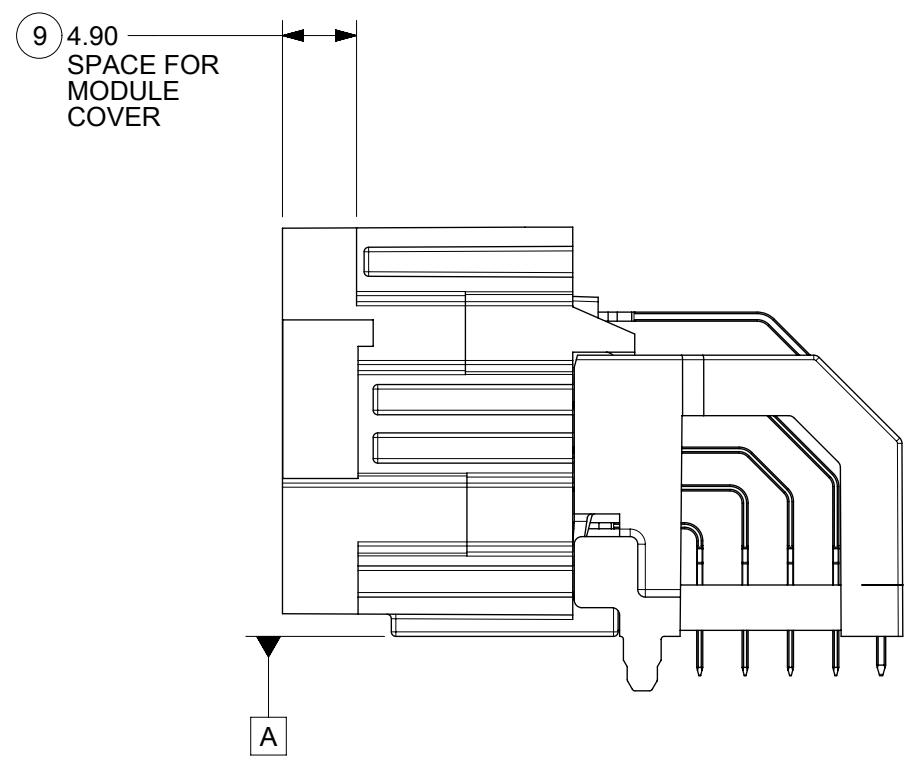
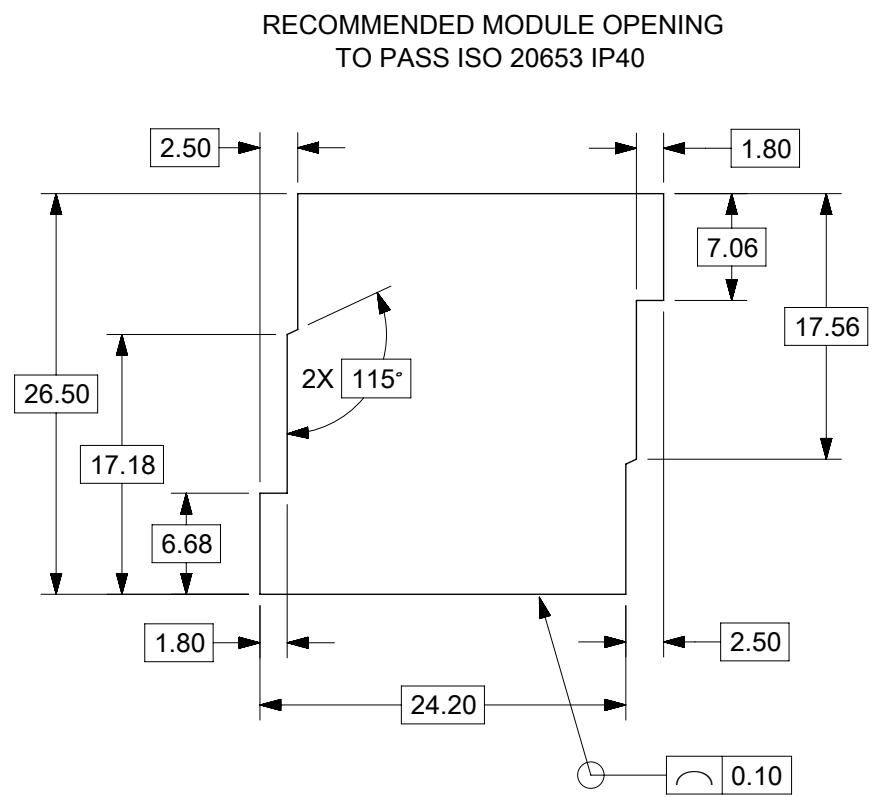
PART NUMBER	KEY	COLOR	TERMINAL QUANTITIES	
			0.5mm	1.2mm
2005020321	1	BLACK	28	4
2005020322	2	BLUE		
2005020323	3	DARK GRAY		
2005020324	4	PURPLE		

FOUR (4) KEYS AVAILABLE
SEE INTERFACE DRAWING
SD-160028-002 FOR DEFINITION

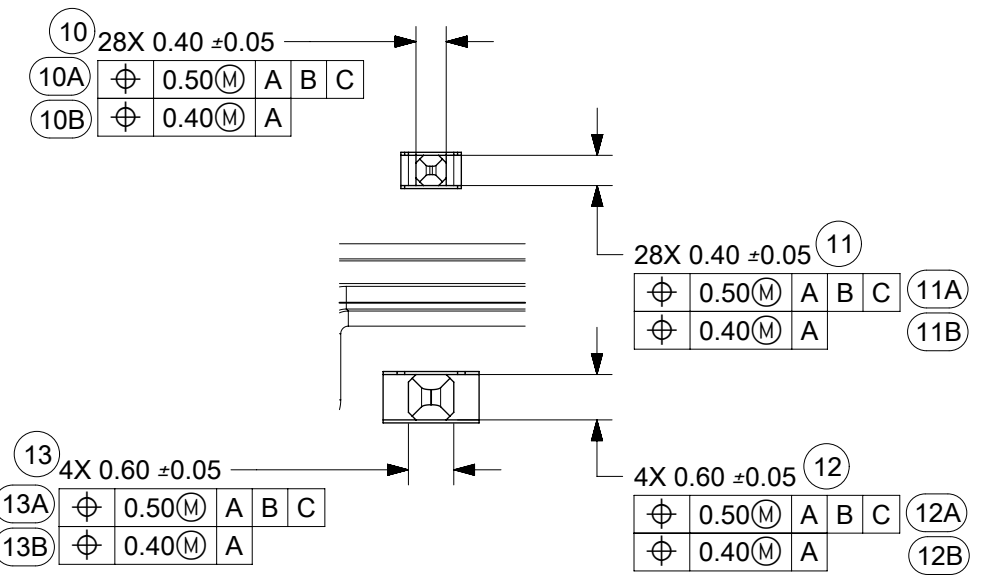


- NOTES: VALID UNLESS OTHERWISE SPECIFIED
- GENERAL:
 - APPLICATION SPECIFICATION: 2005060000-AS
 - PRODUCT SPECIFICATION: 2005060001-PS
CLASSIFICATIONS T1V1S1 TO GMW 3191 2012
DEGREE OF PROTECTION IP40 TO ISO 20653 WITH MOLEX MATING CONNECTOR
 - PACKAGING SPECIFICATION PER MOLEX DRAWING
 - DESIGN - MATERIALS:
 - HOUSING: SPS 30% GF
 - BLADE TERMINALS:
 - 0.5MM BLADES
BASE MATERIAL: COPPER ALLOY
CONDUCTIVITY ≥ 28% IACS @ 20°C
UNDERPLATE: OVERALL NICKEL
OVERPLATE: OVERALL TIN
 - 1.2MM BLADES
BASE MATERIAL: COPPER ALLOY
CONDUCTIVITY ≥ 28% IACS @ 20°C
UNDERPLATE: OVERALL NICKEL
OVERPLATE: OVERALL TIN
 - DESIGN - GEOMETRY:
 - ALL GRAPHIC DATA IS BASIC (NO TOLERANCE) AND MUST BE TAKEN FROM THE DATA FILE AT ITS LATEST REVISION.
 - PRODUCT DESIGN MODEL NUMBER 2005020320
 - GEOMETRIC DIMENSIONS AND TOLERANCES PER ASME Y14.5-2009
 - EDGES AND UNDIMENSIONED DETAILS PER ISO13715
 - CORNERS SHOWN AS SHARP TO BE R 0.4 MAX.
 - LETTERING SHALL BE MAX POSSIBLE FOR READABILITY.
THIS INCLUDES RECYCLING CODE, CAVITY ID, VENDOR IDENTIFICATION, AND CUSTOMER MATERIAL NUMBER.
 - FOR BAY/POCKET DEFINITION SEE MOLEX INTERFACE DRAWING SD-160028-002
 - MATING HARNESS CONNECTORS MOLEX PN:
1600280001 (KEY 1)
1600280002 (KEY 2)
1600280003 (KEY 3)
1600280004 (KEY 4)
 - DESIGN - MANUFACTURING:
 - VISUAL DEFECTS SHALL MEET COSMETIC STANDARD PS-45499-002 (CLASS B)
 - REFLOW SOLDERABILITY PER SMES-152

THIS DRAWING CONTAINS INFORMATION THAT IS PROPRIETARY TO MOLEX ELECTRONIC TECHNOLOGIES, LLC AND SHOULD NOT BE USED WITHOUT WRITTEN PERMISSION										
DIMENSION UNITS mm	SCALE 2:1	CURRENT REV DESC: PCB CONTACT AREA DET								
GENERAL TOLERANCES (UNLESS SPECIFIED)		EC NO: 609669								STAK50H MOD HDR 32 RA SOLDER SINGLE BAY
ANGULAR TOL ± 0.5°	4 PLACES ± 0.0	DRWN: ABABU01 2018/12/13			PRODUCT CUSTOMER DRAWING					
3 PLACES ± 0.0	2 PLACES ± 0.13	CHK'D: JCONDON 2018/12/27			DOCUMENT NUMBER					
1 PLACE ± 0.25	0 PLACES ± 0.0	APPR: JCONDON 2018/12/27			2005021320SD			DOC TYPE	DOC PART	REVISION
DRAFT WHERE APPLICABLE MUST REMAIN WITHIN DIMENSIONS		THIRD ANGLE PROJECTION	DRAWING	SERIES	MATERIAL NUMBER	CUSTOMER	SHEET NUMBER			
			B-SIZE	200502	SEE CHART		1 OF 2			



POST HOLE FIT	DIM C
PRESS FIT	2.40
DROP IN	2.90 MIN



HEADER OUTLINE AND PCB - HEADER CONTACT AREAS FOR REFERENCE ONLY

THIS DRAWING CONTAINS INFORMATION THAT IS PROPRIETARY TO MOLEX ELECTRONIC TECHNOLOGIES, LLC AND SHOULD NOT BE USED WITHOUT WRITTEN PERMISSION																	
DIMENSION UNITS	SCALE	CURRENT REV DESC: PCB CONTACT AREA DET															
mm	1:1																
GENERAL TOLERANCES (UNLESS SPECIFIED)										STAK50H MOD HDR 32 RA SOLDER SINGLE BAY							
ANGULAR TOL	± 0.5°									PRODUCT CUSTOMER DRAWING							
4 PLACES	± 0.0									DOCUMENT NUMBER							
3 PLACES	± 0.0									2005021320SD							
2 PLACES	± 0.13	DOC TYPE															
1 PLACE	± 0.25	PSD															
0 PLACES	± 0.0	DOC PART															
DRAFT WHERE APPLICABLE MUST REMAIN WITHIN DIMENSIONS		THIRD ANGLE PROJECTION		DRAWING		SERIES		REVISION									
		B-SIZE		200502		C1		SHEET NUMBER									
		SEE CHART				2 OF 2											