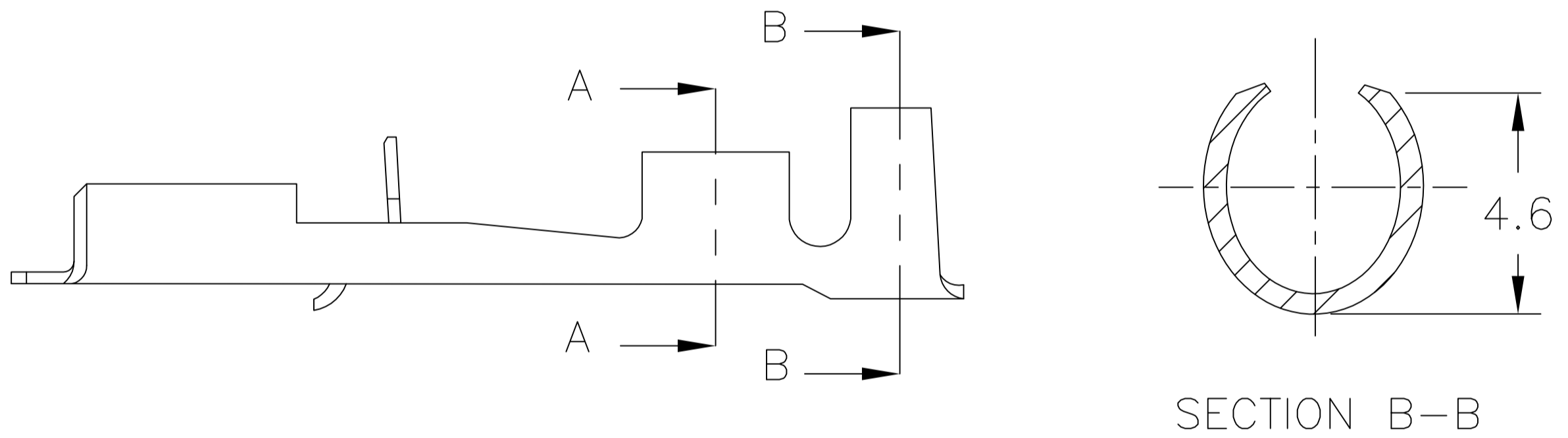
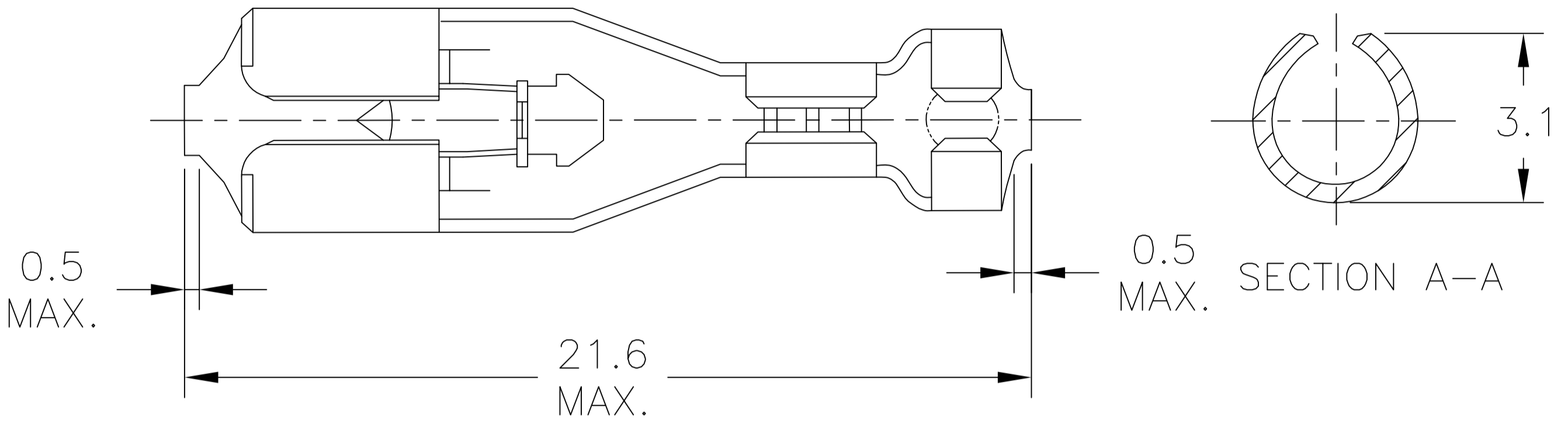



REVISIONS				
P	LTR	DESCRIPTION	DATE	APVD
	D2	REDRAWN PER ECR-17-011185	04AUG2017	RS HG

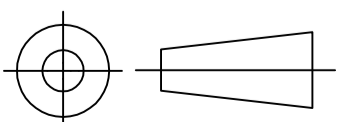


NOTE: THIS TERMINAL IS APPLIED FOR ONE WIRE CRIMPING

411-5262	753899-1	170325-2	POST NICKEL, PHOSPHOR BRONZE	170331-2
411-5262	753899-1	170325-1	PRE-TIN, BRASS	170331-1
INSTRUCTION SHEET	HAND TOOL	STRIP P/N	MATERIAL	PART NO.

INSULATION DIA: 1.9-3.4mm WIRE RANGE: 0.51-1.38mm<sup>2</sup>(AWG#20-#16)

DIMENSIONS: mm	DWN RAVI S 08AUG2017	MATERIAL SEE TABLE	FINISH SEE TABLE
	CHK GUO HOGAN 08AUG2017	 TE Connectivity	
TOLERANCES UNLESS OTHERWISE SPECIFIED:	APVD GUO HOGAN 08AUG2017		
0 PLC ± -	PRODUCT SPEC -	SIZE A4	CAGE CODE 00779
1 PLC ± 0.4	APPLICATION SPEC -	DRAWING NO C=170331	RESTRICTED TO -
2 PLC ± -	WEIGHT -	SCALE 4:1	SHEET 1 OF 1
3 PLC ± -	CUSTOMER DRAWING	REV D2	
4 PLC ± -			
ANGLES ± -			



RELEASED FOR PUBLICATION

ALL RIGHTS RESERVED.

THIS DRAWING IS UNPUBLISHED.

© COPYRIGHT - TE Connectivity