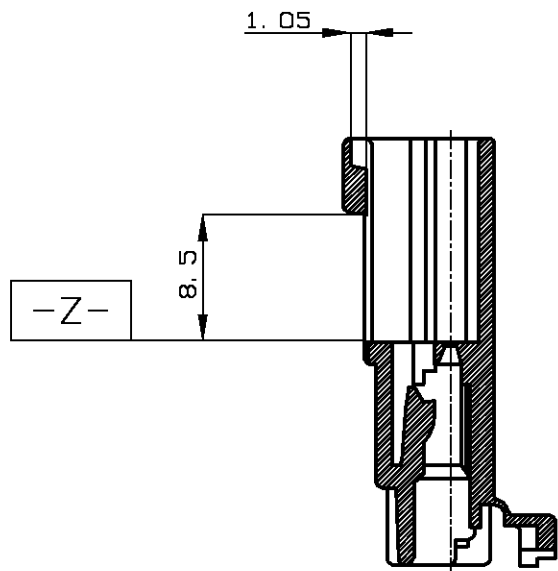
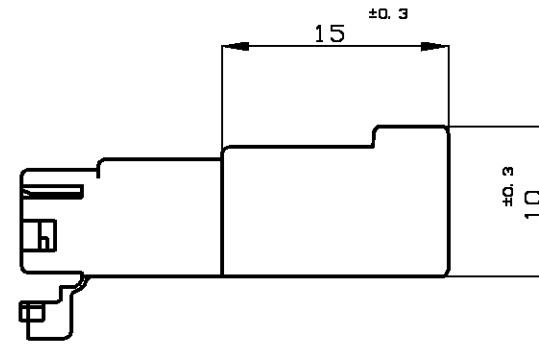
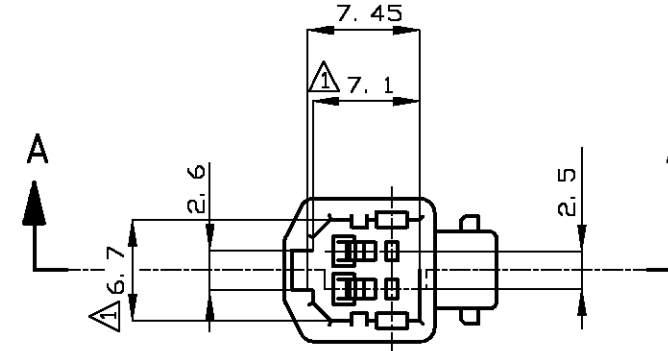
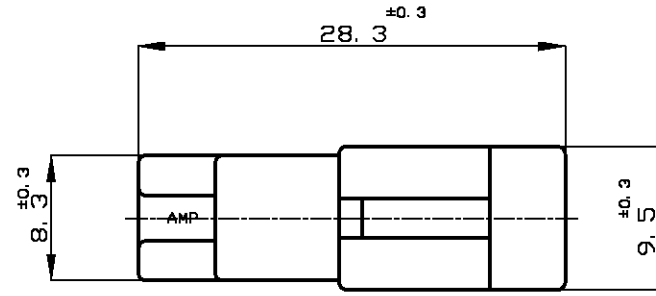
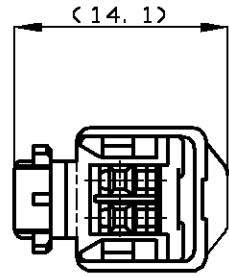
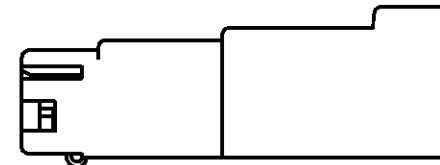


THIS DRAWING IS UNPUBLISHED. RELEASED FOR PUBLICATION
 © COPYRIGHT BY TYCO ELECTRONICS CORPORATION. ALL RIGHTS RESERVED.

LOC	DIST	REVISIONS					
		P	LTR	DESCRIPTION	DATE	DWN	APVD
J	-	B1	REVISED	ECR-06-018497	02AUG06	MS	KB



A-A



二重ロック時
DOUBLE LOCKED

△ TO BE MEASURED WITHIN 2mm FROM [-Z-]
 2. APPLICABLE CONTACT PART NUMBER, 173682

△ [-Z-] 面から2mmの範囲で測定
 2. 適用端子型番、173682

青 (BLUE)	174057-5
緑 (GREEN)	174057-4
黒 (BLACK)	174057-2
色 (COLOR)	製品型番 (PART NO.)

TOLERANCE UNLESS OTHERWISE SPECIFIED:
 一般公差

0 < x ≤ 10	: ±0.2
10 < x ≤ 30	: ±0.25
30 < x ≤ 100	: ±0.3
ANGLE ; 角度	: ±3°

THIS DRAWING IS A CONTROLLED DOCUMENT.

DIMENSIONS: 単位: 耗 mm	TOLERANCES UNLESS OTHERWISE SPECIFIED: 一般公差
	0 PLC ± - 1 PLC ± - 2 PLC ± - 3 PLC ± - 4 PLC ± - ANGLES ± -
MATERIAL 材料 PBT	FINISH 仕上 -

DWN	M.SUGAWARA	02AUG06
CHK	K.BETSUI	02AUG06
APVD	K.BETSUI	02AUG06
PRODUCT SPEC	製品規格	108-5352
APPLICATION SPEC	取付適用規格	-
WEIGHT	-	-
CUSTOMER DRAWING		

tyco Electronics		Tyco Electronics AMP K.K. Kawasaki, Japan	
NAME 名称 2POSITION CAP HOUSING 040SERIES MULTI-LOCK CONNECTOR			
SIZE	CAGE CODE	DRAWING NO 番号	RESTRICTED TO
A3	00779	174057	-
SCALE 尺度		SHEET	REV
2:1		1 OF 1	B1