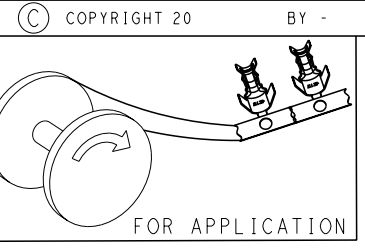
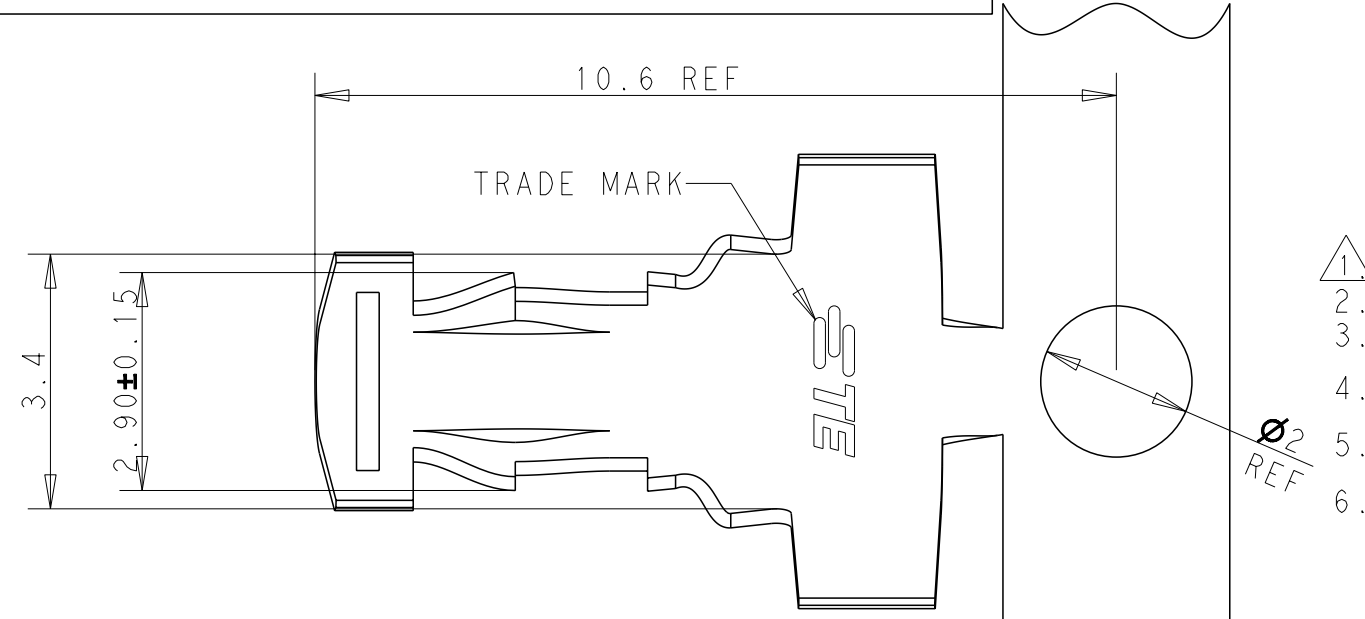


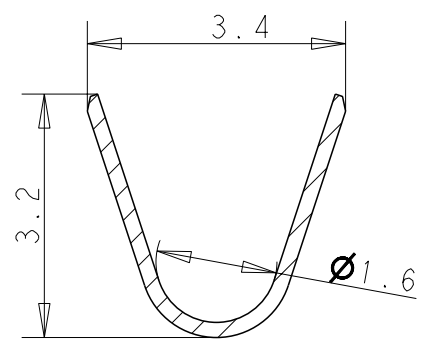
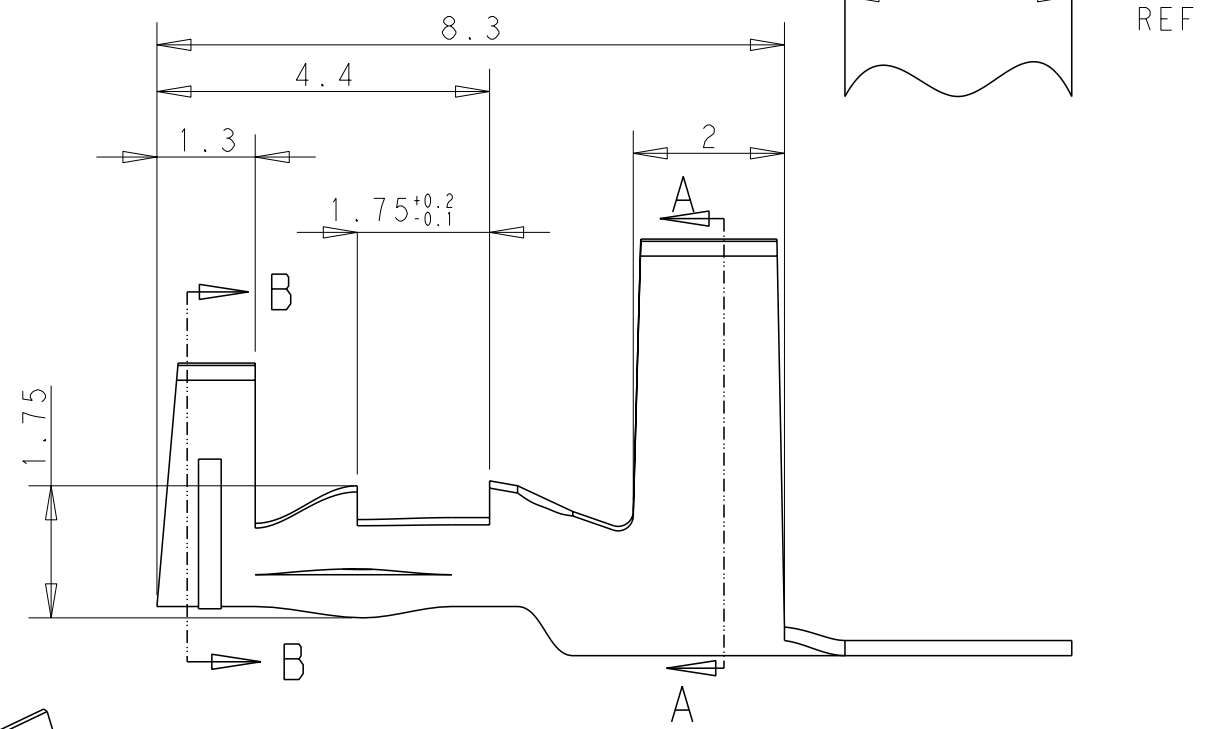
THIS DRAWING IS UNPUBLISHED. RELEASED FOR PUBLICATION 20 ALL RIGHTS RESERVED.



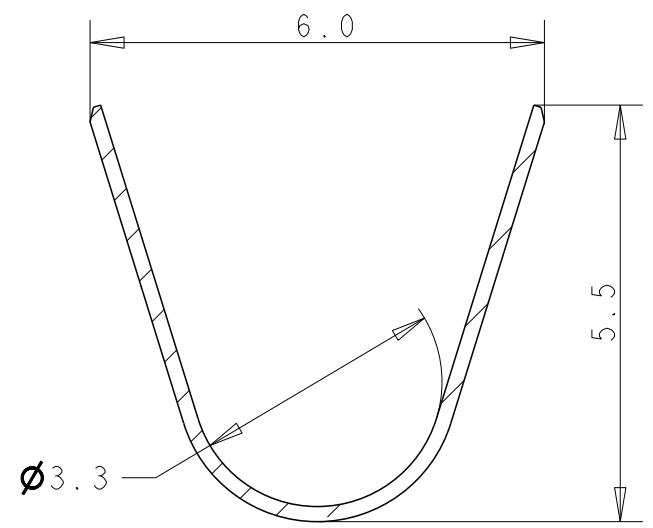
REVISIONS					
P	LTR	DESCRIPTION	DATE	DWN	APVD
	A	INITIAL RELEASE	20FEB2023	M.G	D.Z



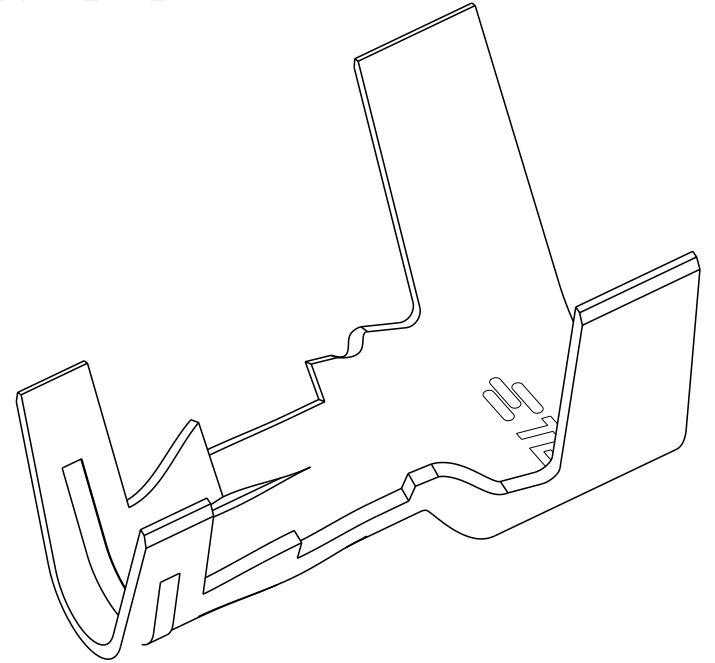
- 1. MATERIAL: COPPER ALLOY, PER TIN
- 2. PACKAGE: REEL
- 3. APPLICATION FEED PITCH: 14MM
- 4. APPLICABLE WIRE: AWG14, INS DIA Ø3.4-3.8MM
- 5. RECOMMEND PCB HOLE DIA: Ø2.5-2.6MM
- 6. RECOMMEND PCB THICKNESS: Ø1.6±0.05MM



SECTION B - B



SECTION A - A



2700PC/BOX	2393227-1
PACKAGE QUANTITY	PART NUMBER

THIS DRAWING IS A CONTROLLED DOCUMENT.		DWN	M. GAO	26.09.2021
		CHK	L. CHEN	27.09.2021
		APVD	D. ZHANG	29.09.2021
		PRODUCT SPEC	108-106642	
		APPLICATION SPEC	114-106642	
		WEIGHT	0.154	
CUSTOMER DRAWING				

<b>TE Connectivity</b>				NAME		BOARD-IN CONTACT M-TYPE	
				SIZE	CAGE CODE	DRAWING NO	RESTRICTED TO
A3		00779	C-2393227				-
SCALE		10:1	SHEET	1 OF 1	REV		A

DIMENSIONS:	TOLERANCES UNLESS OTHERWISE SPECIFIED:
mm	
	0 PLC ±0.3
	1 PLC ±0.3
	2 PLC ±0.3
	3 PLC ±
	4 PLC ±
	ANGLES ±1°
MATERIAL	FINISH
	PRE-TIN

printed on 20 Feb 2023 13:21 (China Standard Time) from TE315078