

SuperNine® RJ45 and USB connectors

233-300 RJ45 jack/jack or plug/jack couplers

MIL-DTL-38999 Series III type



How To Order 233-300									
Sample Part Number	233-300	NF	00	G	17	6A	N	1	T
Series / Basic Part No.	SuperSeal® RJ45 Connector								
Finish	NF = Cadmium Olive Drab ME = Electroless Nickel MT = Nickel PTFE								
Connector Style	00 = Square Flange Receptacle with Slotted Holes 01 = Square Flange Receptacle with Metal Cable Gland 07 = Jam Nut Receptacle 05 = In-Line Receptacle 08 = In-Line Receptacle with Metal Cable Gland G6 = Plug G7 = Plug with Metal Cable Gland								
Insert-to-Shell Grounding	G = Insert grounded to shell (for use with shielded cable)								
Shell Size	17 or 19								
Temperature Rating	5H = Cat5e, High Temp			6A = Cat6a, High Temp			5L = Cat5e, Low Temp		
Alternate Key Position	A, B, C, D, E, N = Normal; Per MIL-DTL-38999								
RJ45 Orientation Option	1, 2, 3, or 4 ; see page E-2								
Shrink Boot	T = Part No. 770-028 (Omit for None)								

For panel cut-out dimensions, and electrical specifications see page E-3

E



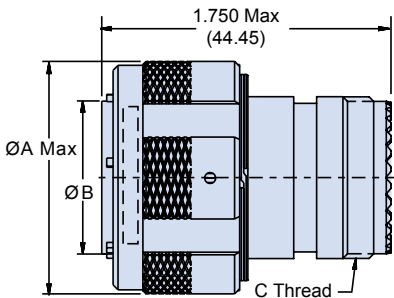
Plug Front View



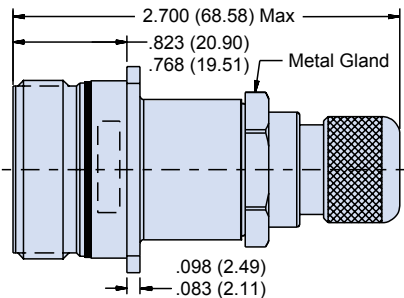
Receptacle Front View



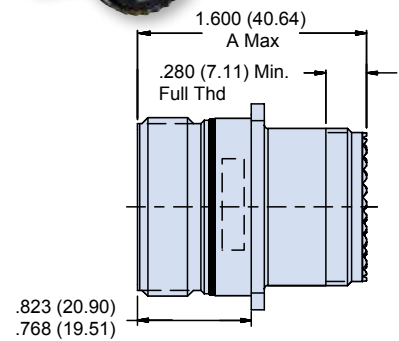
Receptacle Rear View



Plug with Male RJ45 Module



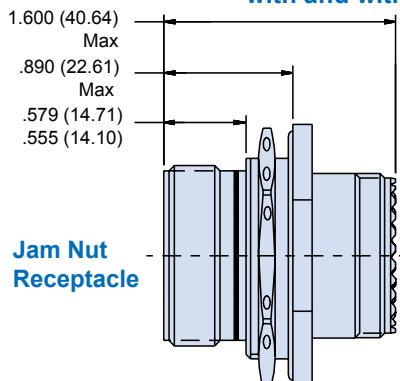
Square Flange Receptacle with and without cable sealing gland



Inline Receptacle

All External Dimensions, Features, etc. compliant with D38999/20, /24 & /26. Consult Factory for Additional Information

Dimensions			
Shell Size	A Dia Max	B Dia	C Thread
17	1.406 (35.71)	.928/.922 23.57/23.42	M25 X 1.0-6g 0.100R
19	1.156 (29.36)	1.033/1.027 26.24/26.09	M25 X 1.0-6g 0.100R



Jam Nut Receptacle

