

REFERENCE SPECIFICATIONS

-NFC 93425 (in compliance with HE 507)

PHYSICAL CHARACTERISTICS

- INSULATOR MATERIAL: THERMOPLASTIC UL94 V-0
- ACCESSORIES: STAINLESS STEEL or BRASS, cadmium plated yellow passivation
- SHELLS: STEEL, cadmium plated yellow passivation

ELECTRICAL CHARACTERISTICS

- CONTACT/CONTACT : >=1000 V
- CONTACT/GROUND : >=1200 V
- INSULATION RESISTANCE: >=5000 MOhms

ENVIRONMENTAL CHARACTERISTICS

- CLIMATIC CATEGORY: 55/125/56
- TEMPERATURE RANGE -55°C TO +125°C
- DAMP HEAT STEADY STATE 56 DAYS
- SALT SPRAY 48 HOURS

DBMF5W5PN

Series

Shell size: **E A B C**
see sheet 2

Front accessory definition
see sheet 2

Blank :without accessory

L :threaded insert M3

O :threaded insert UNC 4-40

V :female screw UNC 4-40

I :female screw M3

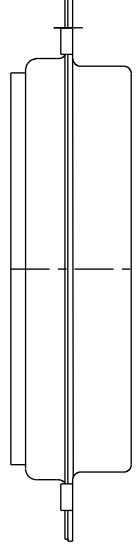
F :floating mounting

Contacts

Layout of contacts (see sheet 3)

P :Pin

N :mandatory indication for HE 507 series

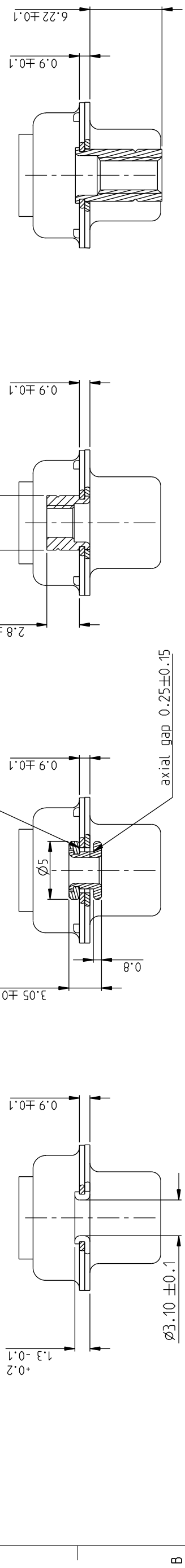


rev	ecr no	dr	date
A	LS06-0714	MPE	2006/11/14
B	LS07-0273	MPE	2007/10/30
C	F10-0072	LSA	2010/07/20

www.fciconnect.com		Surface ISO 1302	tolerance sid ISO 406 ISO 1001	projection	mm
TOLERANCES UNLESS OTHERWISE SPECIFIED					
Dr	M PESSON	2006/11/14	0.X	size	A2
Eng	P LEGARE	2006/11/14	0.XX	Scale	2:1
Chr	P LEGARE	2006/11/14	0.XXX	ECN	F10-0072
Appr	P LEGARE	2006/11/14		Product family	- Spec ref
FCI logo		SUB MALE DMW		Rev.	C
full power without contact		C01-8637-1732		CUSTOMER	Sheet 1 of 4
catalog no					

A B C D E F

1 2 3 4 5 6 7 8



FRONT ACCESSORY	Blank without	F Floating mounting	L insert M3 insert UNC 4.40	V Female screw UNC 4.40 I Female screw M3
-----------------	----------------------	----------------------------	---------------------------------------	--

PART NUMBER	FRONT ACCESSORY
D*M*W*PN	without
D*ML*W*PN	insert M3
D*MO*W*PN	insert UNC 4-40
D*MV*W*PN	female screw UNC 4-40
D*MI*W*PN	female screw M3
D*MF*W*PN	floating mounting

shell size LAYOUTS

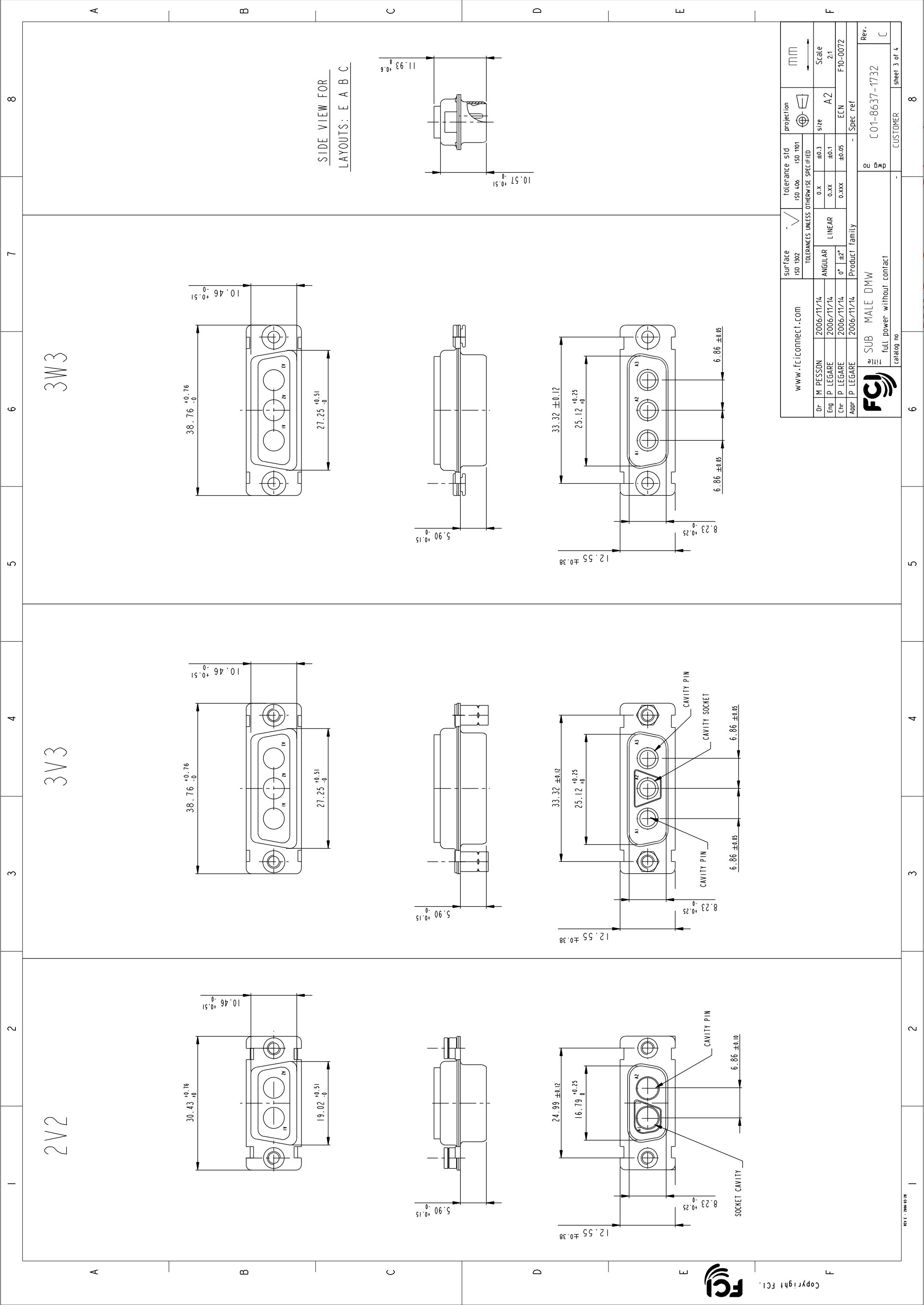
- * XW X
- E 2V2
- A 3V3
- A 3W3
- B 5W5
- C 8W8



Copyright FCI

www.ficonnect.com		Surface ISO 1302	tolerance sid ISO 406 ISO 1001	projection	mm
TOLERANCES UNLESS OTHERWISE SPECIFIED		ANGULAR 0° ±2°		size A2	Scale 2:1
Dr M PESSON	2006/11/14	0.X	±0.3	ECN	F10-0072
Eng P LEGARE	2006/11/14	0.XX	±0.1	Product family	
Chr P LEGARE	2006/11/14	0.XXX	±0.05	Spec ref	
Appr P LEGARE	2006/11/14				
SUB MALE DMW full power without contact catalog no				Rev. C01-8637-1732	Sheet 2 of 4

SCALE: 4



2V2

3V3

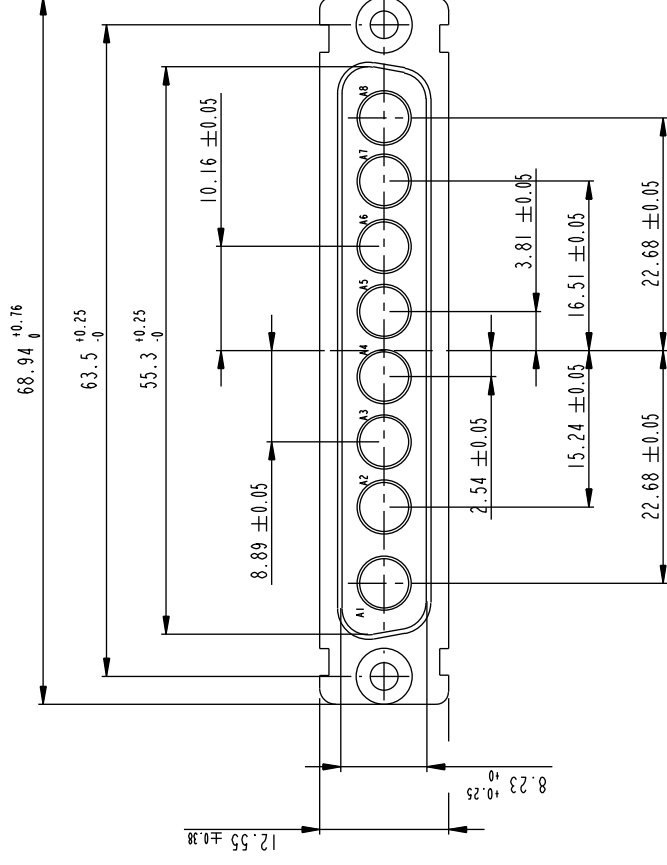
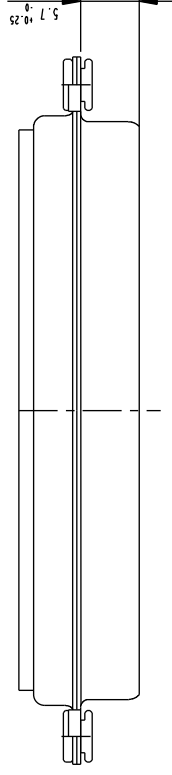
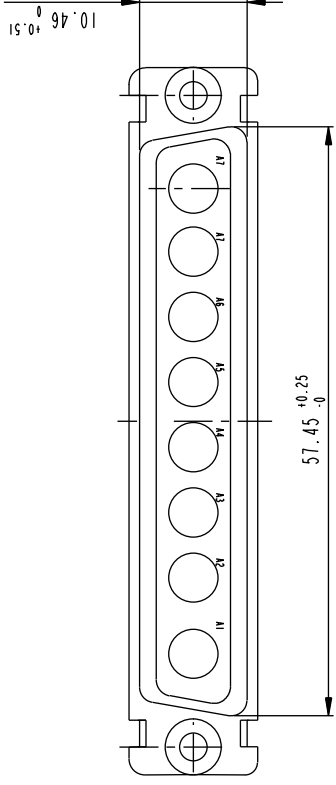
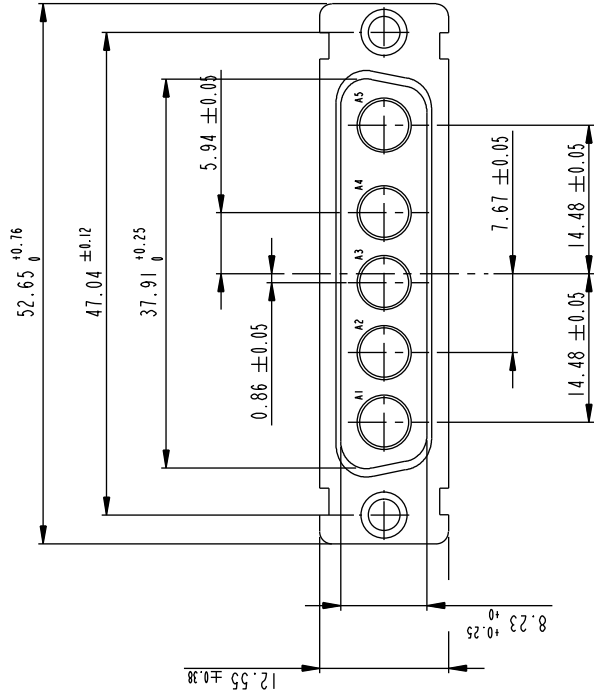
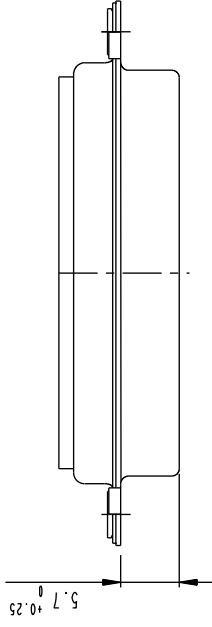
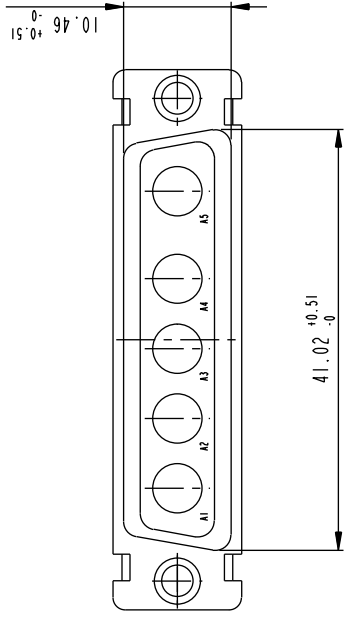
3W3

SIDE VIEW FOR
LAYOUTS: E A B C

www.fciconnect.com		Surface	tolerance std	projection	mm
ISO 1302		ISO 406	ISO 1001	ISO 1001	
TOLERANCES UNLESS OTHERWISE SPECIFIED					
Dr	M PESSON	ANGULAR	0.X	size	A2
Eng	P LEGARE	0°	±0.1	ECN	F10-0072
Chr	P LEGARE	0°	±0.05	Product family	-
Appr	P LEGARE	Product family	-	Spec ref	-
SUB MALE DMW		Dwg no		C01-8637-1732	
full power without contact		CUSTOMER		Sheet 3 of 4	
catalog no		Rev.		C	

5W5

8W8



Copyright FCI

www.fciconnect.com		Surface ISO 1302	tolerance sid ISO 406	ISO 1001	projection	mm
Dr	M PESSON	2006/11/14	TOLERANCES UNLESS OTHERWISE SPECIFIED		size	A2
Eng	P LEGARE	2006/11/14	0.X	±0.3	Scale	2:1
Chr	P LEGARE	2006/11/14	0.XX	±0.1	ECN	F10-0072
Appr	P LEGARE	2006/11/14	0.XXX	±0.05	Product family	- Spec ref
SUB MALE DMW		DWG no		C01-8637-1732		Rev.
full power without contact		catalog no		CUSTOMER		Sheet 4 of 4