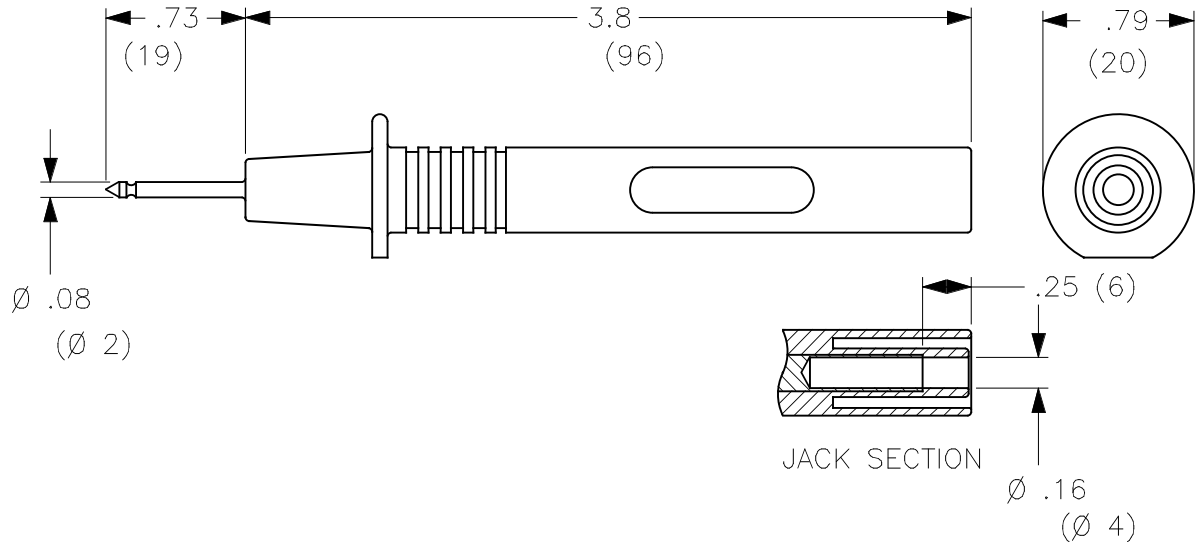


THIS IS ISSUED IN STRICT CONFIDENCE THAT IT IS NOT USED AS A BASIS FOR MANUFACTURE OR SALE AND THAT IT IS NOT COPIED, REPRINTED OR DISCLOSED TO A THIRD PARTY EITHER WHOLLY OR IN PART WITHOUT THE PRIOR WRITTEN CONSENT OF CAL TEST ELECTRONICS, INC.

- STANDARD PROBE BODY WITH 2 mm PIN TIP.
- SPECIFICATIONS:
INSULATOR: POLYAMIDE (NYLON).
PROBE TIP & BANANA PLUG JACK: BRASS, NICKEL PLATED
- RATING:
VOLTAGE: 1,000 V CAT II P2 (IEC 61010-031)
CURRENT: 36 A MAX.
TEMPERATURE: -20° TO +80°C.

CE DECLARATION OF CONFORMITY
CONFORMS TO RoHS 2, ANNEX III 6(c) EXEMPTION.

REVISIONS			
REV.	DESCRIPTIONS	DATE	APPROVED
-	CLASS A RELEASED	7/21/00	
A	ADDED CAGE CODE; UPDATED IEC VOLTAGE SPECIFICATION, WAS CAT III.	6/10/05	



PART NUMBERS

CT2266-#

COLOR: **0** - BLACK
2 - RED

THIRD ANGLE PROJECTION		UNLESS OTHERWISE SPECIFIED DIMENSIONS ARE IN INCHES TOLERANCES ARE: FRACTIONS DECIMALS ± 1/32 .XX ± .02 .XXX ± .005 DO NOT SCALE DRAWING		CONTRACT NO.		Cal Test Electronics 22820 Savi Ranch Parkway Yorba Linda, CA 92887-4610					
		MATERIAL		APPROVALS		DATE		TITLE			
		FINISH		DRAWN WDH		7/12/99		STANDARD PROBE BODY w/2 mm PIN TIP			
NEXT ASSY		USED ON		ENGR.		DESIGN ACTIVITY		SIZE A	CAGE CODE 43F45	DWG. NO. P226600	REV. A
APPLICATION								SCALE 1:1	SHEET 1 OF 1		