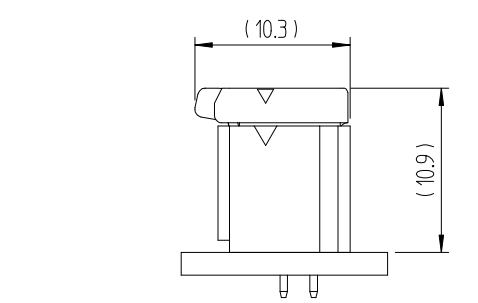
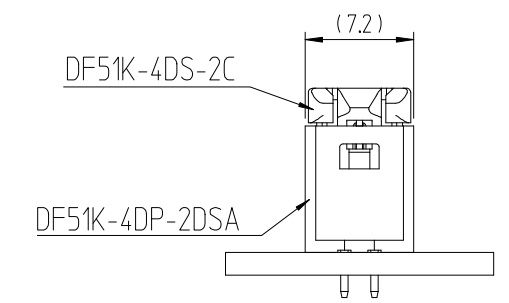
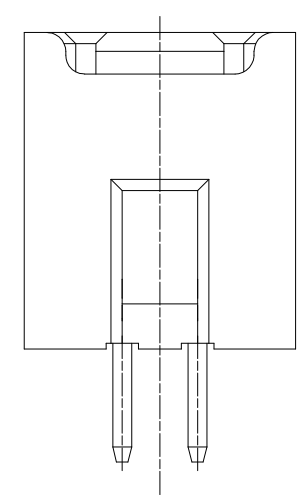
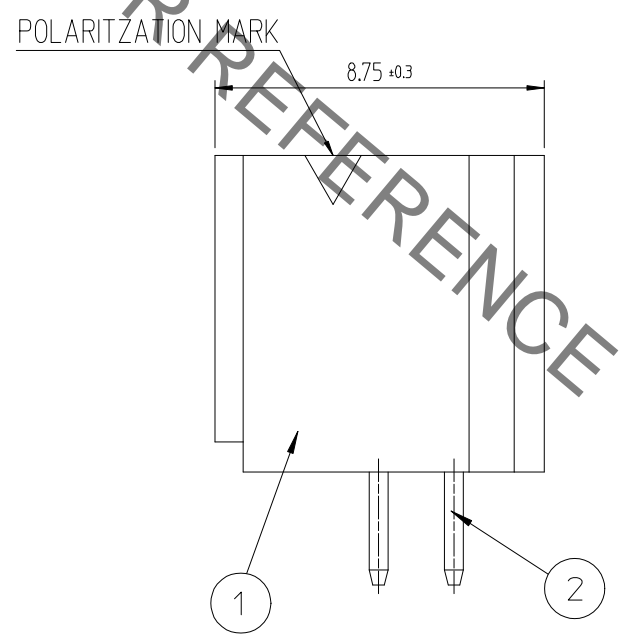
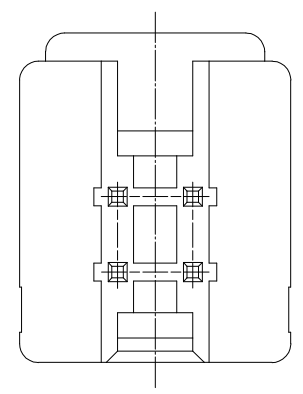
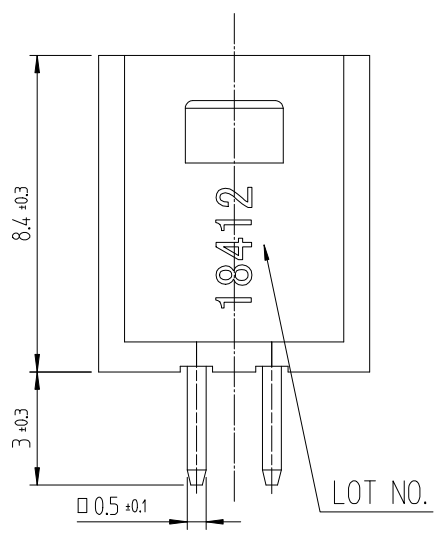
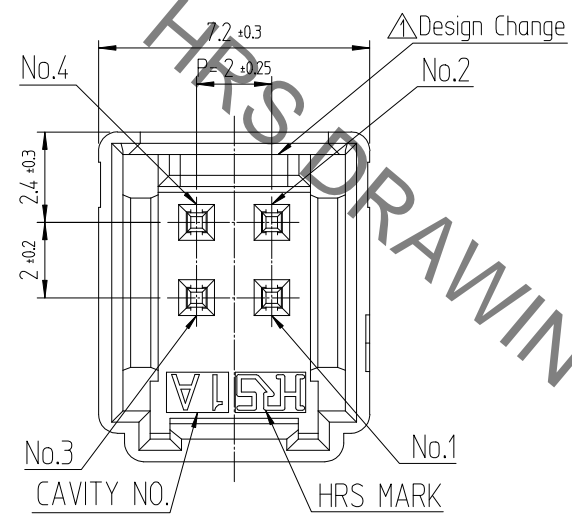
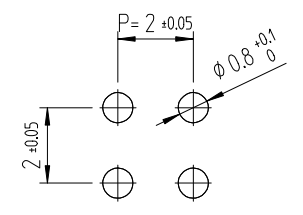


In case of consideration for using Automotive equipment / device which demand high reliability, kindly contact our sales window.



RECOMMENDED LAND PATTERN (FREE)  
(PCB THICKNESS t=1.6mm)



△數 COUNT	訂正事項 DESCRIPTION OF REVISIONS	擔當 B Y	檢圖 CHKD	年月日 DATE	△數 COUNT	訂正事項 DESCRIPTION OF REVISIONS	擔當 B Y	檢圖 CHKD	年月日 DATE
1	RE-6-1150	K.I.Y	L.S.M	18. 07. 04					

NOTE 1. 1PACK CONTAINS 100PCS.  
2. ( ) DIMENSIONS ARE ONLY REFERENCE.

1	PBT	UL94V-0, BLACK	2	BRASS	GOLD PLATING 0.1μm MIN, OVER NICKEL 0.5μm MIN	
NO.	MATERIAL	FINISH,REMARKS	NO.	MATERIAL	FINISH,REMARKS	
CODE NO. (OLD)			DRAWN	DESIGNED	CHECKED	APPROVED
			CHOI 17.12.22 J.S	CHOI 17.12.22 J.S	LIM 17.12.22 S.M	KANG 17.12.22 T.S
DRAWING NO. EDC3-632457			PART NO. DF51K-4DP-2DSA (805)			
SCALE 5:1			CODE NO. CL 6652-0006-5-805			
UNITS mm			HRS HIROSE KOREA CO.,LTD.			
						1/1