

Technical data sheet

Spacer clip 733

Item no. 1362768



Spacer clip for the installation of pipes and cables on walls, ceiling and floors. With self-locking upper part. Fastening via slot From the clip size of 20 suitable for the installation with a nail device or bolt-firing device.

Approved for the maintenance of electrical function to DIN 4102 Part 12, function maintenance classes E30 to E90 (except ALU)



St	Steel
G	Electrogalvanised

Master data

Item no.	1362768
Type	ASL 733 25 G
Description 1	Distance saddle
Description 2	with slot
Dimension	20-25mm
Material	Steel
Material symbol	St
Surface	Electrogalvanised
Surface to DIN	DIN EN 12329
Surface symbol	G
Smallest sales unit (VG)	25,00 Piece
Weight	2,42 kg/100 pc.

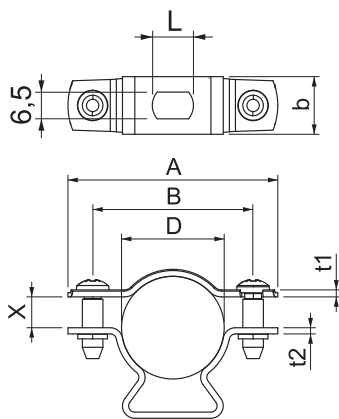
Technical data sheet

Spacer clip 733

Item no. 1362768



Technical data



Dimension A	51,00 mm
Dimension B	39,00 mm
Dimension b	14,00 mm
Dimension D	20,00 - 25,00 mm
Dimension D	25,00 mm
Dimension L	10,00 mm
Dimension t1	1,00 mm
Dimension t2	1,50 mm
Dimension x	7,50 mm
Distance to the wall	<input checked="" type="checkbox"/>
Number of cables/pipes	1,00
Version	Closed
Fastening type	Screw hole
Suitable in fire protection area	<input checked="" type="checkbox"/>
Halogen-free	<input checked="" type="checkbox"/>
Plastic coated	<input type="checkbox"/>
Clamping range D	20,00 - 25,00 mm
UV-resistant	<input checked="" type="checkbox"/>