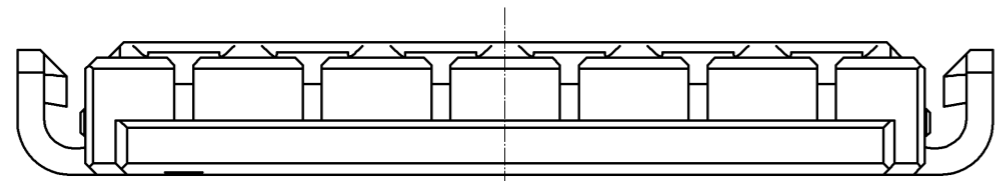
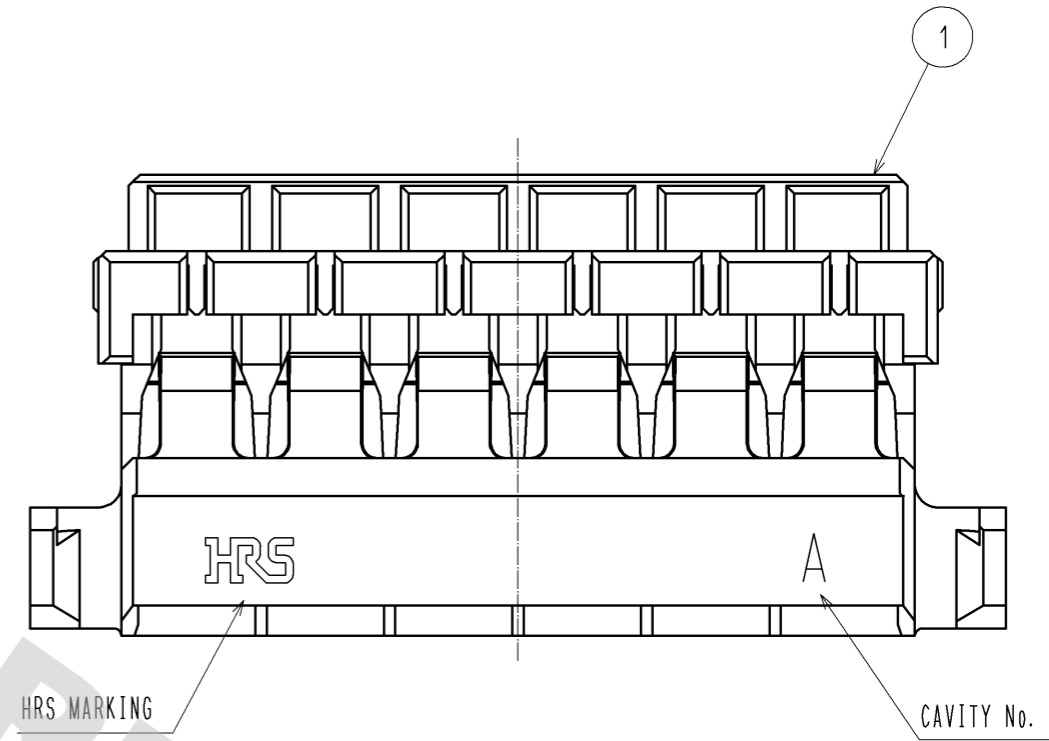
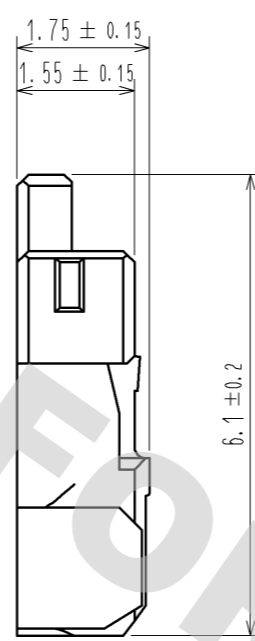
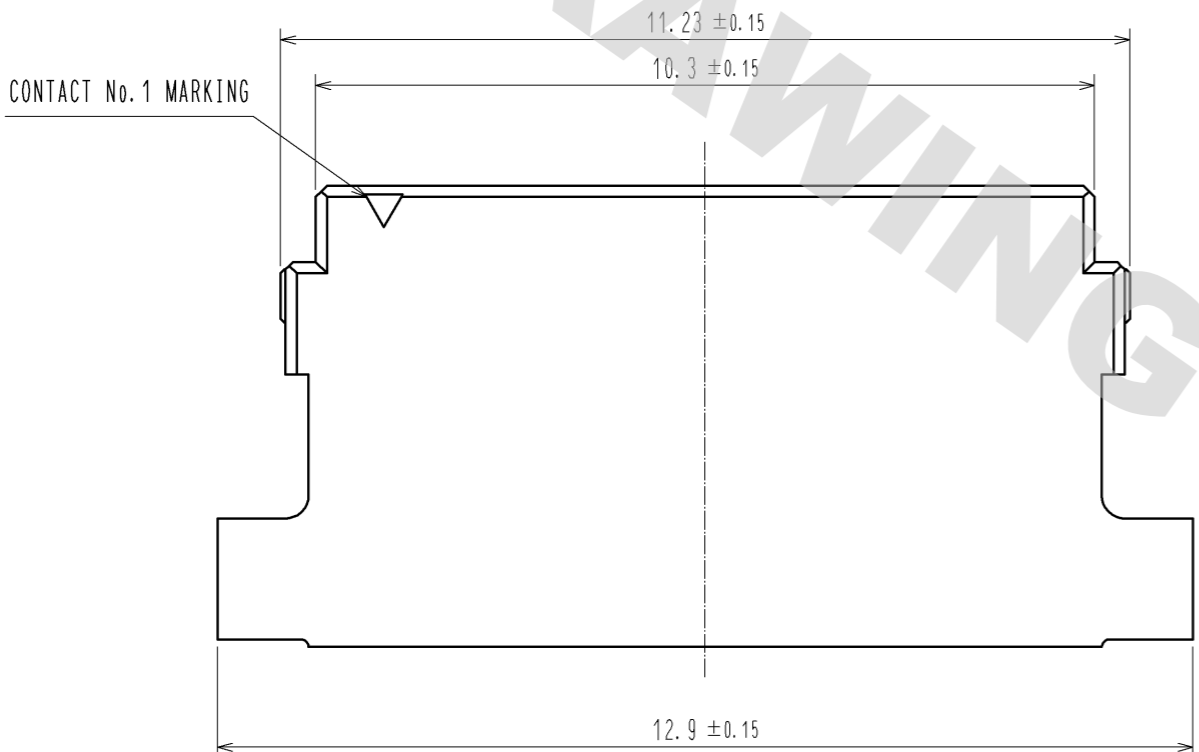
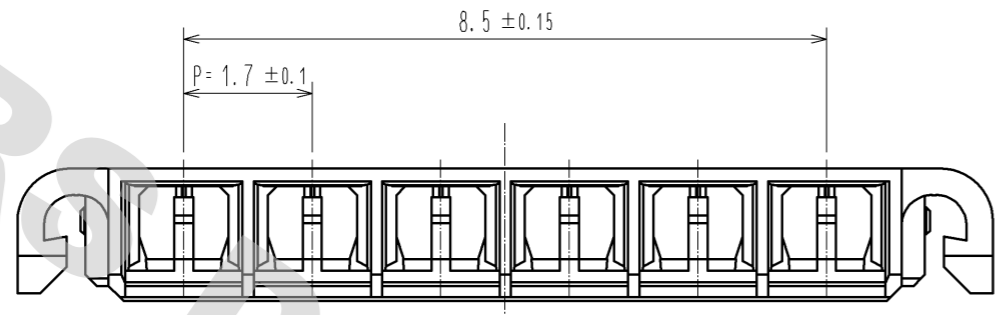


DRAWING FOR REFERENCE: This is subject to change without notice
12/05/2013



NO.	MATERIAL	FINISH . REMARKS	NO.	MATERIAL	FINISH . REMARKS		
1	LCP			UL94V-0. NATURAL			
UNITS	SCALE	COUNT	DESCRIPTION OF REVISIONS		DESIGNED	CHECKED	DATE
mm	10 : 1	△					
HRS HIROSE ELECTRIC CO., LTD.			APPROVED : KI. AKIYAMA	13. 08. 22	DRAWING NO. EDC3-351457-00		
			CHECED : OM. MIYAMOTO	13. 08. 21	PART NO. DF65-6S-1.7C		
			DESIGNED : TT. OHSAKO	13. 08. 21	CODE NO. CL666-6009-9-00		
			DRAWN : TT. OHSAKO	13. 08. 21	△ 1/1		