

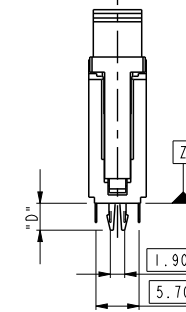
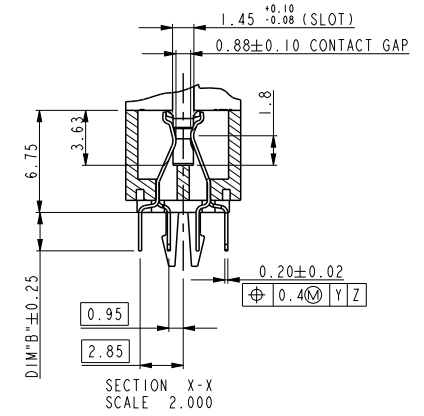
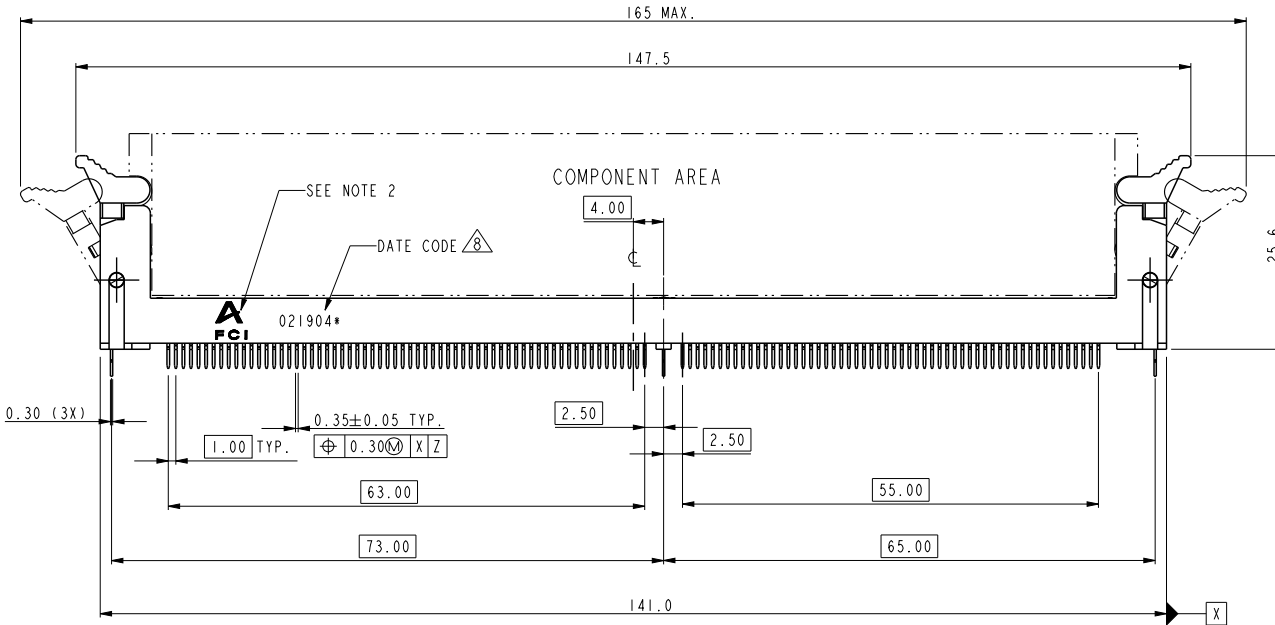
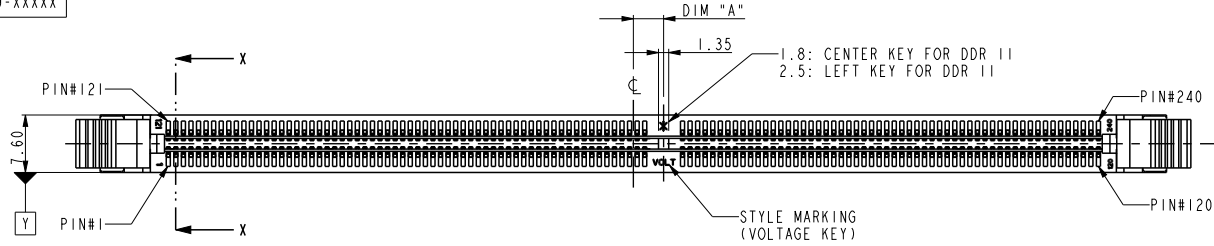
A

B

C

D

PRODUCT NO.  
10005639-XXXX



| PART NO.       | DIM "A" | DESCRIPTION |
|----------------|---------|-------------|
| 10005639-1**** | 4.00    | 1.8V        |
| 10005639-2**** | 3.00    | 2.5V        |
| 10005639-3**** | 5.00    | X.XV        |

|               |                                       |                                |            |            |  |    |          |                |                        |       |              |       |
|---------------|---------------------------------------|--------------------------------|------------|------------|--|----|----------|----------------|------------------------|-------|--------------|-------|
| spec ref      | *                                     | dr                             | Rick Bian  | 2010/07/08 | projection   | mm | size     | A4             | scale                  | 0.500 |              |       |
| tolerance std | TOLERANCES UNLESS OTHERWISE SPECIFIED | eng                            | Jeny Ren   | 2018/01/26 |  |    | ecn no   | ELX-DG-28708-1 |                        |       |              |       |
| ISO 406       |                                       | chr                            | -          | -          |  |    |          | rel level      | Released               |       |              |       |
| ISO 1101      |                                       | appr                           | Nickor Zuo | 2018/01/29 | product family   |    | rev      | 10005639       |                        |       |              |       |
| surface       | linear                                | Amphenol<br>FCI<br>www.fci.com |            |            | title<br>DDR11 240P V/T<br>DDR11 240P METAL CLIP ASS'Y |    | cat. no. |                | Product - Customer Drw |       | sheet 1 of 4 |       |
|               | 0.X                                   |                                |            |            |  |    |          |                |                        |       |              | ±0.38 |
|               | 0.XX                                  |                                |            |            |  |    |          |                |                        |       |              | ±0.25 |
|               | 0.XXX                                 | ±0.13                          |            |            |  |    |          |                |                        |       |              |       |
|               | angular                               | 0°                             | ±2°        |            |  |    |          |                |                        |       |              |       |



A

B

C

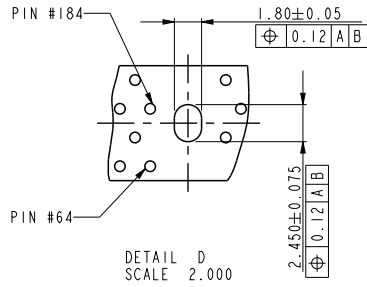
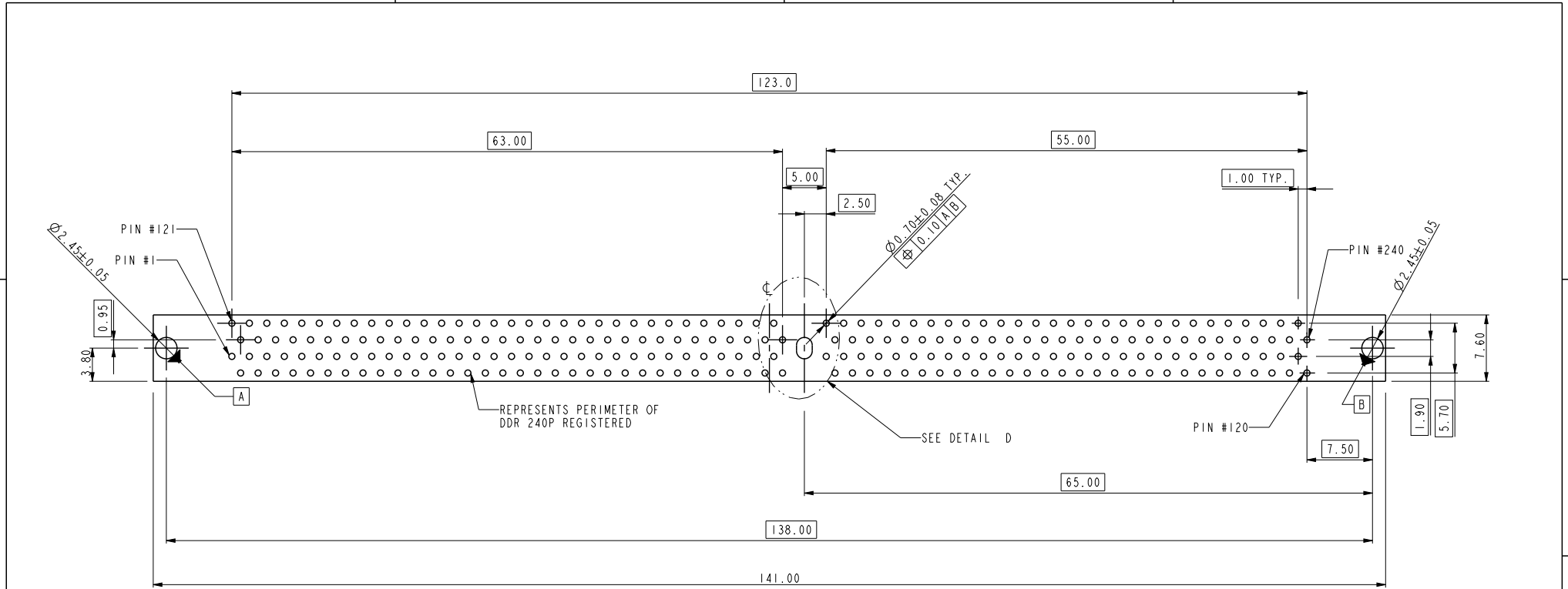
D

A

B

C

D



RECOMMENDED CIRCUIT BOARD HOLE LAYOUT

|                        |  |        |            |            |                |      |           |                |       |       |         |    |     |  |  |   |       |                 |  |                              |          |   |  |        |          |  |                        |              |
|------------------------|--|--------|------------|------------|----------------|------|-----------|----------------|-------|-------|---------|----|-----|--|--|---|-------|-----------------|--|------------------------------|----------|---|--|--------|----------|--|------------------------|--------------|
| spec ref               | *  | dr     | Rick Bian  | 2010/07/08 | projection     | mm   | size      | A4             | scale | 0.500 |         |    |     |  |  |   |       |                 |  |                              |          |   |  |        |          |  |                        |              |
| tolerance std          | TOLERANCES UNLESS OTHERWISE SPECIFIED  | eng    | Jeny Ren   | 2018/01/26 |                |      | ecn no    | ELX-DG-28708-1 |       |       |         |    |     |  |  |   |       |                 |  |                              |          |   |  |        |          |  |                        |              |
| ISO 406                |  | chr    | -          | -          |                |      | rel level | Released       |       |       |         |    |     |  |  |   |       |                 |  |                              |          |   |  |        |          |  |                        |              |
| ISO 1101               |  | appr   | Nickor Zuo | 2018/01/29 | product family |      | rev       | Y              |       |       |         |    |     |  |  |   |       |                 |  |                              |          |   |  |        |          |  |                        |              |
| surface                | <table border="1"> <tr> <td>linear</td> <td>0.X</td> <td>±0.38</td> </tr> <tr> <td></td> <td>0.XX</td> <td>±0.25</td> </tr> <tr> <td></td> <td>0.XXX</td> <td>±0.13</td> </tr> <tr> <td>angular</td> <td>0°</td> <td>±2°</td> </tr> </table> | linear | 0.X        | ±0.38      |                | 0.XX | ±0.25     |                | 0.XXX | ±0.13 | angular | 0° | ±2° |  |  | <table border="1"> <tr> <td>title</td> <td>DDR II 240P V/I</td> </tr> <tr> <td></td> <td>DDR II 240P METAL CLIP ASS'Y</td> </tr> <tr> <td>cat. no.</td> <td>*</td> </tr> </table> | title | DDR II 240P V/I |  | DDR II 240P METAL CLIP ASS'Y | cat. no. | * | <table border="1"> <tr> <td>dwg no</td> <td>10005639</td> </tr> </table> | dwg no | 10005639 | <table border="1"> <tr> <td>Product - Customer Drw</td> <td>sheet 3 of 4</td> </tr> </table> | Product - Customer Drw | sheet 3 of 4 |
| linear                 | 0.X  | ±0.38  |            |            |                |      |           |                |       |       |         |    |     |  |  |   |       |                 |  |                              |          |   |  |        |          |  |                        |              |
|                        | 0.XX   | ±0.25  |            |            |                |      |           |                |       |       |         |    |     |  |  |   |       |                 |  |                              |          |   |  |        |          |  |                        |              |
|                        | 0.XXX  | ±0.13  |            |            |                |      |           |                |       |       |         |    |     |  |  |   |       |                 |  |                              |          |   |  |        |          |  |                        |              |
| angular                | 0°   | ±2°    |            |            |                |      |           |                |       |       |         |    |     |  |  |   |       |                 |  |                              |          |   |  |        |          |  |                        |              |
| title                  | DDR II 240P V/I  |        |            |            |                |      |           |                |       |       |         |    |     |  |  |   |       |                 |  |                              |          |   |  |        |          |  |                        |              |
|                        | DDR II 240P METAL CLIP ASS'Y   |        |            |            |                |      |           |                |       |       |         |    |     |  |  |   |       |                 |  |                              |          |   |  |        |          |  |                        |              |
| cat. no.               | *  |        |            |            |                |      |           |                |       |       |         |    |     |  |  |   |       |                 |  |                              |          |   |  |        |          |  |                        |              |
| dwg no                 | 10005639   |        |            |            |                |      |           |                |       |       |         |    |     |  |  |   |       |                 |  |                              |          |   |  |        |          |  |                        |              |
| Product - Customer Drw | sheet 3 of 4   |        |            |            |                |      |           |                |       |       |         |    |     |  |  |   |       |                 |  |                              |          |   |  |        |          |  |                        |              |

10005639 - □ □ □ □ □

STYLE : MECHANICAL KEYING

- 1 : 1.8 VOLT. W/ CENTER KEY#1
- 2 : 2.5 VOLT. W/ LEFT KEY#1
- 3 : X.X VOLT. W/ RIGHT KEY#1

METAL CLIP

- 1 : WITH METAL CLIP + DIM "D"=3.05
- 2 : WITH METAL CLIP + DIM "D"=3.56
- 3 : WITH METAL CLIP + DIM "D"=3.43

TAIL LENGTH

| CODE | DIM "B" |
|------|---------|
| 0    | 2.54    |
| 1    | 2.67    |
| 2    | 3.18    |
| 3    | 4.00    |

PLATING

| CODE | CONTACT                    | SOLDERTAIL                      | UNDERPLATE                              |
|------|----------------------------|---------------------------------|---|
| 1    | 10u" (0.25um)<br>MIN. GOLD | 100u" (2.54um)<br>MIN. TIN/LEAD | 50u" (1.27um)<br>MIN. NICKEL<br>OVERALL |
| 2    | 15u" (0.38um)<br>MIN. GOLD |                                 |   |
| 3    | 30u" (0.76um)<br>MIN. GOLD |                                 |   |
| 4    | 3u" (0.076um)<br>MIN. GOLD | 100u" (2.54um)<br>MIN. 100% TIN | 50u" (1.27um)<br>MIN. NICKEL<br>OVERALL |
| 6LF  | 10u" (0.25um)<br>MIN. GOLD |                                 |   |
| 7LF  | 15u" (0.38um)<br>MIN. GOLD |                                 |   |
| 8LF  | 30u" (0.76um)<br>MIN. GOLD |                                 |   |
| 9LF  | 3u" (0.076um)<br>MIN. GOLD | GOLD FLASH                      |   |
| 8HLF | 30u" (0.76um)<br>MIN. GOLD |                                 |   |

COLOR OF HOUSING AND EJECTOR

- 0 : BLACK HOUSING + IVORY EJECTOR
- 1 : BLUE HOUSING + IVORY EJECTOR
- 2 : BLACK HOUSING + BLACK EJECTOR
- 3 : PURPLE HOUSING + IVORY EJECTOR
- 4 : ORANGE HOUSING + IVORY EJECTOR
- 5 : GREEN HOUSING + IVORY EJECTOR
- 6 : RED HOUSING + IVORY EJECTOR
- 7 : IVORY HOUSING + IVORY EJECTOR
- 8 : YELLOW HOUSING + IVORY EJECTOR
- 9 : IVORY HOUSING + BLACK EJECTOR

NOTES:

1. MATERIAL:
  - HOUSING: HIGH PERFORMANCE RESINS, GLASS FILLED UL94V-0 RATED.
  - EJECTOR: HIGH PERFORMANCE RESINS, GLASS FILLED UL94V-0 RATED.
  - TERMINAL: PHOSPHOR BRONZE.
  - METAL CLIP: COPPER ALLOY.
2. FCI LOGO TO BE APPROXIMATELY LOCATED AS SHOWN ON PRINT.
3. PRODUCT SPECIFICATION: GS-12-251.
4. PACKAGING SPECIFICATION: GS-14-899.
5. CARD THICKNESS APPLIES ACROSS TABS AND INCLUDES PLATING AND/OR METALIZATION.
6. 3.00 mm MINIMUM APPLIES TO BOTH 4.00 mm WIDE NOTCH LENGTH AND COMPONENT KEEPOUT AREA.
7. LEADING EDGE OF CONTACT PADS SPECIFIED BY THE KEEP OUT ZONE SHALL BE FREE OF BURRS AND EXTERNAL TIE BARS. FOR OPTIMUM PERFORMANCE, THE TIE BAR IS TO BE ON AN INTERNAL LAYER SO THAT THE REMNANT CANNOT CAUSE CONTACT DAMAGE.
8. THE DATE CODE IS SHOWN "MM-DD-YY\*" "\*" MEANS PRODUCTION LINE CODE.
9. THIS PRODUCT MEETS EUROPEAN UNION DIRECTIVES AND OTHER COUNTRY REGULATIONS AS DESCRIBED IN GS-22-008.
10. THE HOUSING WILL WITH STAND EXPOSURE TO 260°C PEAK TEMPERATURE FOR 10 SECONDS IN A WAVE SOLDER APPLICATION.

|  |  |                        |  |  |  |                |  |                        |  |                              |  |
|--|--|------------------------|--|--|--|----------------|--|------------------------|--|------------------------------|--|
| spec ref *   |  | dr <b>Rick Bian</b>    |  | 2010/07/08   |  | projection     |  | size A4                |  | scale 0.500                  |  |
| tolerance std  |  | eng <b>Jeny Ren</b>    |  | 2018/01/26   |  |                |  | mm                     |  | ecn no <b>ELX-DG-28708-1</b> |  |
| ISO 406<br>ISO 1101  |  | chr -                  |  | -  |  |                |  |                        |  | rel level <b>Released</b>    |  |
| surface  |  | appr <b>Nickor Zuo</b> |  | 2018/01/29   |  | product family |  | rev                    |  | 10005639                     |  |
| linear <ul style="list-style-type: none"> <li>0.X ±0.38</li> <li>0.XX ±0.25</li> <li>0.XXX ±0.13</li> </ul> angular <ul style="list-style-type: none"> <li>0° ±2°</li> </ul> |  |                        |  | title<br>DDRII 240P V/T<br>DDRII 240P METAL CLIP ASS'Y |  | cat. no. *     |  | Product - Customer Drw |  | sheet 4 of 4                 |  |
| ISO 1302   |  | www.fci.com            |  |  |  |                |  |                        |  |                              |  |