

NLC-050-100A-08I-04QRA-05A - Base unit



2701069

<https://www.phoenixcontact.com/us/products/2701069>

Please be informed that the data shown in this PDF document is generated from our online catalog. Please find the complete data in the user documentation. Our general terms of use for downloads are valid.



100-240 V AC Nanoline base unit. Equipped with 8 digital input and 4 relay output channels. Additional I/O channels can be added using a maximum of three I/O extension modules. Optional communication modules provide network or serial connectivity. Optional Operator Panel provides user interface. Programming is via nanoNavigator.

Your advantages

- Basic unit has integrated digital inputs, relay outputs, and analog inputs, including high-speed counters
- An operating panel can be optionally integrated in the basic unit or installed on a wall in a decentralized manner
- Intuitive programming language with options for flowcharts and ladder diagrams

Commercial data

Item number	2701069
Packing unit	1 pc
Minimum order quantity	1 pc
Note	Made to order (non-returnable)
Sales key	DR11
Product key	DRACAA
Catalog page	Page 463 (C-8-2015)
GTIN	4046356325349
Weight per piece (including packing)	332 g
Weight per piece (excluding packing)	321.8 g
Customs tariff number	85371098
Country of origin	IN

Technical data

Product properties

Product type	Base unit
Product family	Nanoline

System properties

INTERBUS-Master

Number of supported branch terminals with remote bus branch	3 (I/O modules)
---	-----------------

System requirements

Engineering tool	nanoNavigator 1 or 2
------------------	----------------------

Electrical properties

Supply

Supply voltage	100 V AC
	240 V AC (Power available to the I/O and Communications modules)
Supply voltage range	100 V AC ... 240 V AC
Power supply connection	Screw connection
Typical current consumption	70 mA (@ 230 V AC)

Real-time clock

Realtime clock	Optional module
----------------	-----------------

Input data

Digital

Input name	Digital inputs
Description of the input	EN 61131-2 type 1 NPN/PNP
Number of inputs	8
Connection method	Screw connection
Input voltage range "0" signal	0 V AC ... 25 V AC
Input voltage range "1" signal	80 V AC ... 250 V AC
Nominal input voltage U_{IN}	230 V AC
Nominal input current at U_{IN}	0.17 mA AC (On)
Typical response time	20 ms

Output data

Digital

Output name	Relay output
Output description	Relay output
Connection method	Screw connection
Number of outputs	4

NLC-050-100A-08I-04QRA-05A - Base unit



2701069

<https://www.phoenixcontact.com/us/products/2701069>

Protective circuit	Short-circuit and overload protection
Maximum output current per channel	5 A
Maximum output current per module / terminal block	20 A
Maximum output current per module	5 A
Nominal load, ohmic	600 W (@ 24 ohms)
Maximum operating frequency with ohmic nominal load	0.5 Hz
Signal delay	10 ms (@ 20 °C (excludes bounce))

Connection data

Connection method	Screw connection
-------------------	------------------

Interfaces

Operator Panel

Connection method	RJ45 / COMBICON
-------------------	-----------------

RS-232

Connection method	Slot 1
-------------------	--------

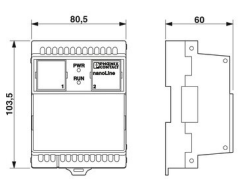
USB

Connection method	Slot 1
-------------------	--------

Realtime Clock

Connection method	Slot 2
-------------------	--------

Dimensions

Dimensional drawing	
Width	80.5 mm
Height	103.5 mm
Depth	60 mm

Material specifications

Color	black
-------	-------

Environmental and real-life conditions

Ambient conditions

Degree of protection	IP20
Ambient temperature (operation)	-25 °C ... 55 °C
Ambient temperature (storage/transport)	-25 °C ... 85 °C
Permissible humidity (operation)	90 %
Permissible humidity (storage/transport)	90 %

NLC-050-100A-08I-04QRA-05A - Base unit



2701069

<https://www.phoenixcontact.com/us/products/2701069>

Mounting

Mounting type	DIN rail mounting
---------------	-------------------

NLC-050-100A-08I-04QRA-05A - Base unit

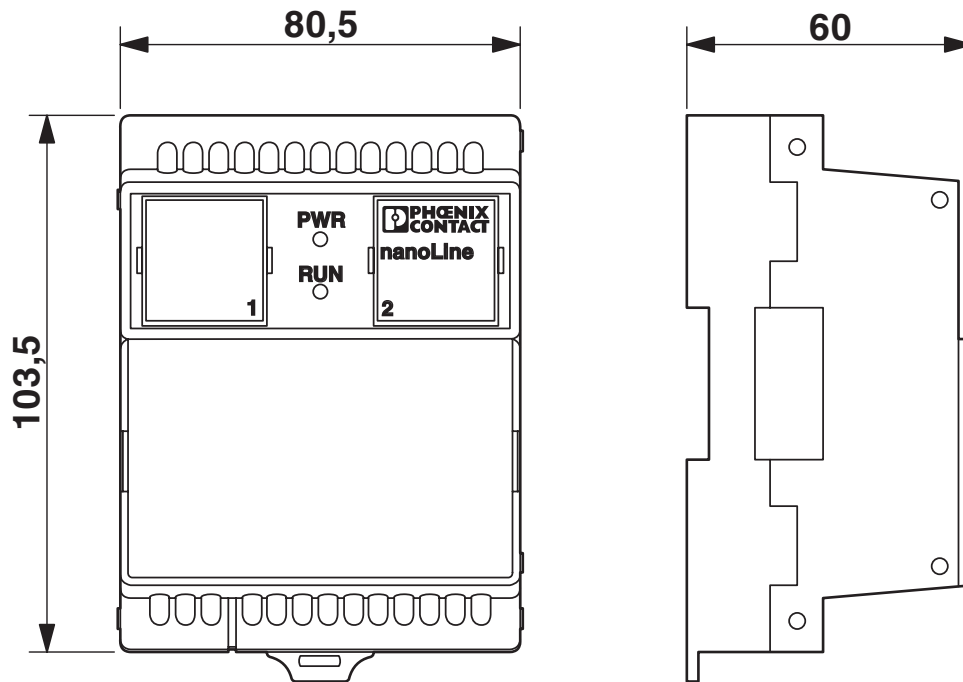


2701069

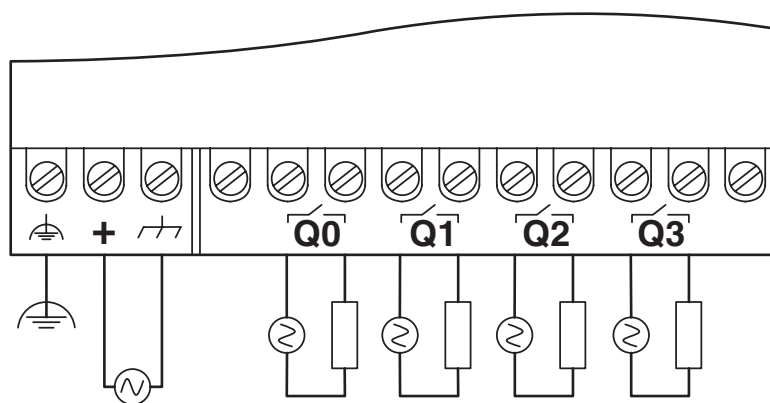
<https://www.phoenixcontact.com/us/products/2701069>

Drawings

Dimensional drawing



Connection diagram



NLC-050-100A-08I-04QRA-05A - Base unit



2701069

<https://www.phoenixcontact.com/us/products/2701069>

Classifications

ECLASS

ECLASS-11.0

27242216

UNSPSC

UNSPSC 21.0

39122329

NLC-050-100A-08I-04QRA-05A - Base unit



2701069

<https://www.phoenixcontact.com/us/products/2701069>

Environmental product compliance

China RoHS	Environmentally Friendly Use Period = 50 years For information on hazardous substances, refer to the manufacturer's declaration available under "Downloads"
------------	--

NLC-050-100A-08I-04QRA-05A - Base unit



2701069

<https://www.phoenixcontact.com/us/products/2701069>

Accessories

NLC-MOD-CAP-PXC - Covering hood

2701292

<https://www.phoenixcontact.com/us/products/2701292>

Replacement cover for slot 2 in base unit.



NLC-MOD-CAP - Covering hood

2701289

<https://www.phoenixcontact.com/us/products/2701289>

Replacement cover for slot 1 in base unit.



NLC-050-100A-08I-04QRA-05A - Base unit



2701069

<https://www.phoenixcontact.com/us/products/2701069>

NLC-EMC-PWR-01 - EMC core

2701070

<https://www.phoenixcontact.com/us/products/2701070>



EMC choke to reduce conducted emissions

NLC-IO-06I-04QTP-01A - I/O extension module

2701072

<https://www.phoenixcontact.com/us/products/2701072>



I/O extension module for use with Nanoline base unit. Equipped with 6 digital input and 4 PNP digital output channels. A maximum of three I/O extension modules can be attached to a base unit.

NLC-050-100A-08I-04QRA-05A - Base unit



2701069

<https://www.phoenixcontact.com/us/products/2701069>

NLC-IO-06I-04QTN-01A - I/O extension module

2701085

<https://www.phoenixcontact.com/us/products/2701085>



I/O extension module for use with Nanoline base unit. Equipped with 6 digital input and 4 NPN digital output channels. A maximum of three I/O extension modules can be attached to a base unit.

NLC-IO-03I-04QRD-05A - I/O extension module

2701328

<https://www.phoenixcontact.com/us/products/2701328>



I/O extension module for use with Nanoline 24 V DC base unit. Equipped with 3 digital input and 4, 5 A relay output channels. A maximum of three I/O extension modules can be attached to a base unit.

NLC-050-100A-08I-04QRA-05A - Base unit

2701069

<https://www.phoenixcontact.com/us/products/2701069>



NLC-IO-4AI - I/O extension module

2701098

<https://www.phoenixcontact.com/us/products/2701098>



I/O extension module for use with Nanoline base unit. Equipped with 4 analog input channels. A maximum of three I/O extension modules can be attached to a base unit.

NLC-OP1-LCD-032-4X20 - Operator terminal

2701137

<https://www.phoenixcontact.com/us/products/2701137>



User interface for Nanoline controllers. Mounts directly on the base unit. Can be mounted remotely using the mounting kit.

NLC-050-100A-08I-04QRA-05A - Base unit

2701069

<https://www.phoenixcontact.com/us/products/2701069>



NLC-OP1-MKT - Mounting kit

2701140

<https://www.phoenixcontact.com/us/products/2701140>

Mounting kit



NLC-MOD-RS232 - nanoLC module

2701179

<https://www.phoenixcontact.com/us/products/2701179>

RS-232 connection for data transfer or software configuration



NLC-050-100A-08I-04QRA-05A - Base unit



2701069

<https://www.phoenixcontact.com/us/products/2701069>

NLC-MOD-RS485 - Option module

2701182

<https://www.phoenixcontact.com/us/products/2701182>

RS-485 connection for data transfer or software configuration



NLC-MOD-USB - nanoLC module

2701195

<https://www.phoenixcontact.com/us/products/2701195>

Serial connection to PC's USB port for data transfer or software configuration



NLC-050-100A-08I-04QRA-05A - Base unit



2701069

<https://www.phoenixcontact.com/us/products/2701069>

NLC-MOD-RTC - Option module

2701153

<https://www.phoenixcontact.com/us/products/2701153>



Real-time clock

NLC-COM-ENET-MB1 - Communication module

2701124

<https://www.phoenixcontact.com/us/products/2701124>



Ethernet communication module. Allows the Nanoline controller to be connected to an Ethernet, operating as a Modbus TCP Server.

NLC-050-100A-08I-04QRA-05A - Base unit

2701069

<https://www.phoenixcontact.com/us/products/2701069>



NLC-COM-GSM - Communication module

2701344

<https://www.phoenixcontact.com/us/products/2701344>



GSM communication module. Allows SMS messaging to and from the Nanoline controller when connected to the GSM network.

NLC-PC/SERIAL-CBL 2M - Cable

2701234

<https://www.phoenixcontact.com/us/products/2701234>

Cable, serial, 9-pos. D-SUB to RJ11/12



NLC-050-100A-08I-04QRA-05A - Base unit

2701069

<https://www.phoenixcontact.com/us/products/2701069>



NLC-PC/USB-CBL 2M - Cable

2701247

<https://www.phoenixcontact.com/us/products/2701247>

Cable, serial



Phoenix Contact 2023 © - all rights reserved

<https://www.phoenixcontact.com>

Phoenix Contact USA
586 Fulling Mill Road
Middletown, PA 17057, United States
(+717) 944-1300
info@phoenixcon.com