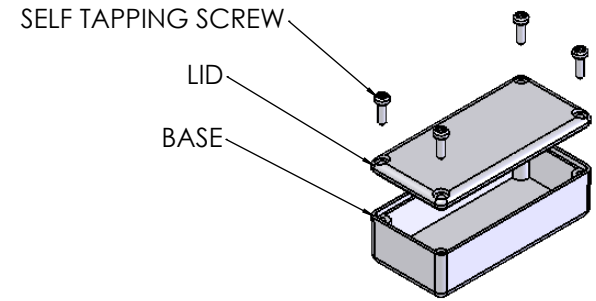


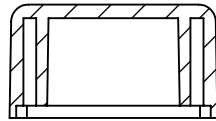
OVERALL ASSEMBLY DIMENSIONS:

EXTERNAL - 57.5 x 27.5 x 18

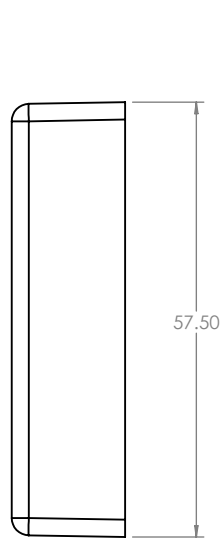
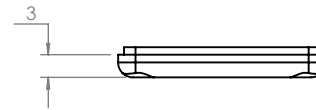
INTERNAL - 54 x 24 x 14



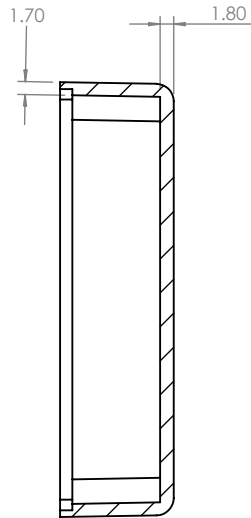
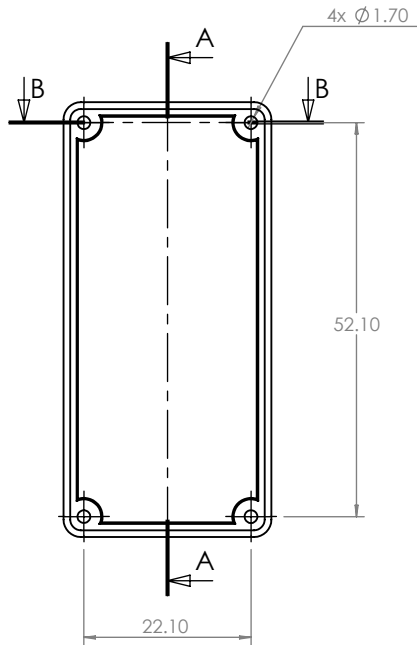
ISO VIEW
1:2



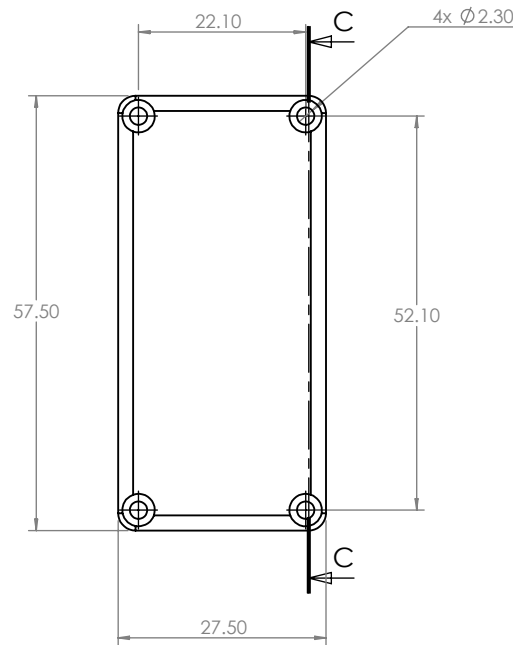
SECTION B-B



BASE

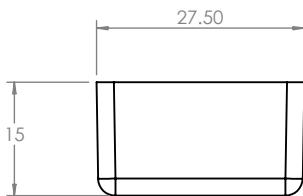


SECTION A-A



LID

SECTION C-C



CAMDENBOSS
ELECTRONICS & ENCLOSURES

JAMES CARTER RD, MILDENHALL, SUFFOLK, IP28 7DE
TEL: 01 638 716101 FAX: 01 638 716554
EMAIL: SALES@CAMDENBOSS.COM
WEB: WWW.CAMDENBOSS.COM

UNLESS OTHERWISE SPECIFIED:
DIMENSIONS ARE IN MILLIMETERS

FINISH:
LIGHT SPARK

MATERIAL:
ABS

PROJECTION.

DO NOT SCALE DRAWING

REVISION. 0

TITLE:

ASSEMBLY DRG FOR RX2KL06

DWG NO.

RX2KL06

A4

SCALE. 1 : 1

SHEET 1 OF 1

	NAME	SIGNED	DATE
DRAWN	S.HARDINGE	SJH	14/03/07
CHKD	-	-	-