

REMARK:

1. CHARACTERISTICS:

RATED VOLTAGE: 250V
 RATED CURRENT: 2.5AMP
 CONTACT RESISTANCE: 25mohms MAX. INITIAL, 40mohms MAX. AFTER.
 INSULATION RESISTANCE: 5000Mohms MIN. at 500V DC
 DIELECTRIC STRENGTH: 750VRMS
 OPERATING TEMPERATURE RANGE: -55° C~105° C
 INSERTION/EXTRACTION FORCE PER CONTACT: 5N Max./0.2N Min.
 MATING/UNMATING CYCLES: 200MATINGS MIN FOR GOLD-FLASH 500MATINGS MIN FOR 30u" GOLD.

2. MATERIAL:

INSULATORS: THERMOPLASTIC G.F(UL94V-0) BLACK
 CONTACTS: COPPER ALLOY, GOLD(G/F or 30u") TOP OVER CONTACT AREA, 100u" Min MATTE TIN TOP OVER SOLDER AREA, 50u" Min NICKEL UNDER PLATE.
 SHELL: CARBON STEEL, 100u" Min NICKEL TOP OVER, 50u" Min COPPER UNDER PLATE.
 HARPOON: COPPER ALLOY, 100u" Min MATTE TIN PLATED.

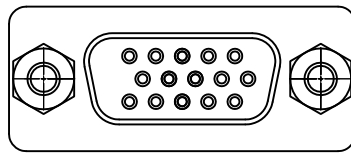
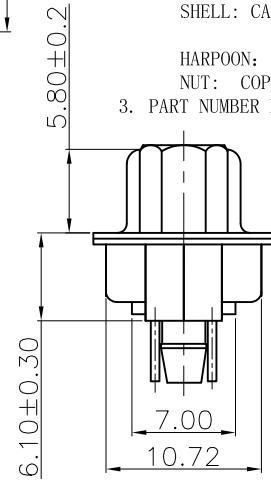
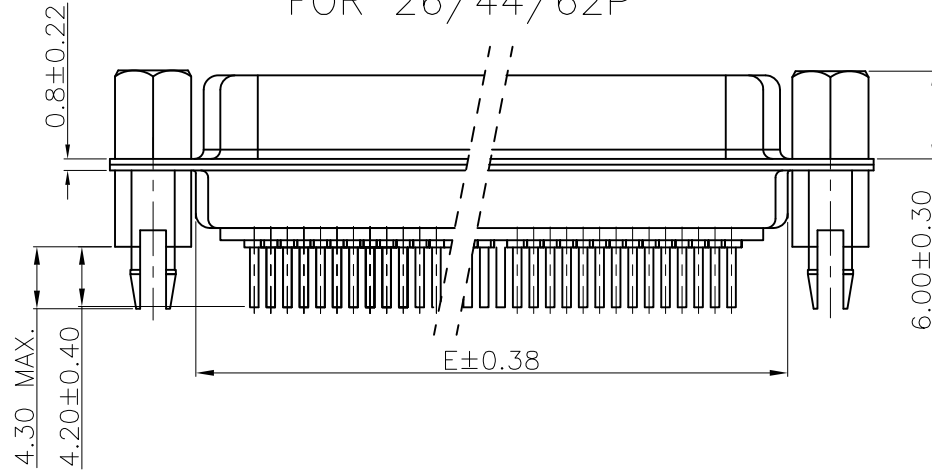
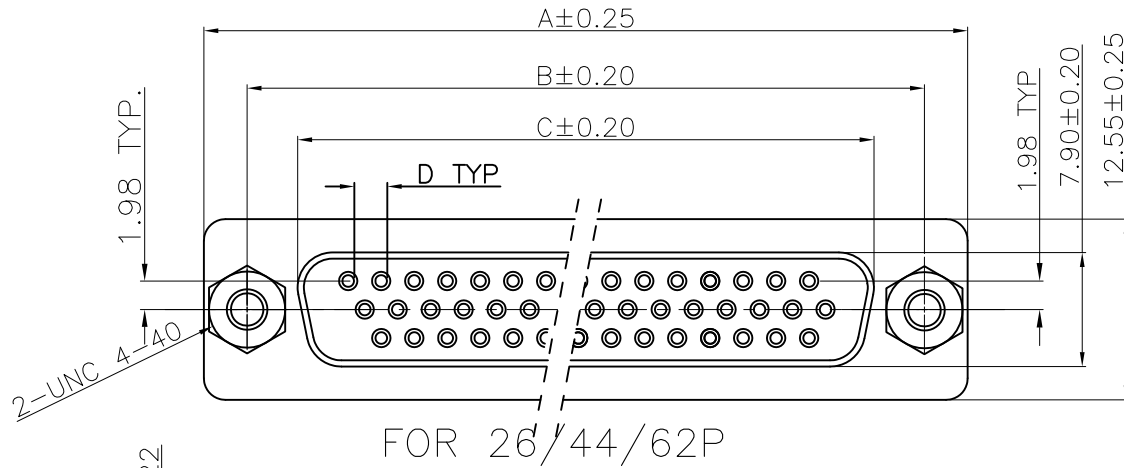
3. PART NUMBER DESCRIPTION: 10090929-S XX X X LF

SERIES NO. _____ LF: ROHS COMPLIANT
 TYPE _____ LF: FLANGE MOUNTING OPTION
 S: SOCKET (FEMALE) _____ X: UNC #4-40 CLINCHNUTS
 L: M3 CLINCHNUTS
 NUMBER OF CONTACTS _____ CONTACT FINISH
 15: 15-PIN _____ 4: FLASH GOLD
 26: 26-PIN _____ 6: 30u" GOLD
 44: 44-PIN _____
 62: 62-PIN _____

POS.	PART NO.	THREAD TYPE
15	10090929-S15*LLF	M3X0.5
26	10090929-S26*LLF	M3X0.5
44	10090929-S44*LLF	M3X0.5
62	10090929-S62*LLF	M3X0.5
15	10090929-S15*XLF	UNC #4-40
26	10090929-S26*XLF	UNC #4-40
44	10090929-S44*XLF	UNC #4-40
62	10090929-S62*XLF	UNC #4-40

POS.	A	B	C	D	E
15	30.81	24.99	16.33	2.29	19.10
26	39.24	33.32	24.66	2.29	27.75
44	53.04	47.04	38.38	2.29	41.30
62	69.32	63.50	54.84	2.41	57.40

mat'l. code				tolerances unless otherwise specified				CUSTOMER COPY		FCI		www.fciconnect.com		
ltr	ecn no	dr	date	linear	.X ± 0.38			projection		title				
A	T09-1156	J.H	12/10/09		.XX ± 0.25					H/D D-SUB FEMALE STRAIGHT				
B	T10-0164	J.H	10/19/10		.XXX ± 0.10					product family D-SUB				
				angles	0° ±2°			MM		size		code		
				dr	JASON HSU	10/19/10	scale		A4		10090929		sheet 1 of 5	
				enr	JASON HSU	10/19/10	1:1							
				chr	GARY HSIEH	10/19/10								
				appd	JOSEPH HSIA	10/19/10								
sheet index	revision sheet	B 1	B 2	B 3	B 4	B 5								



FOR 15P

REMARK:

1. CHARACTERISTICS:

RATED VOLTAGE: 250V
 RATED CURRENT: 2.5AMP
 CONTACT RESISTANCE: 25mohms MAX. INITIAL,
 40mohms MAX. AFTER.
 INSULATION RESISTANCE: 5000Mohms MIN. at 500V DC
 DIELECTRIC STRENGTH: 750VRMS
 OPERATING TEMPERATURE RANGE: -55° C~105° C
 INSERTION/EXTRACTION FORCE PER CONTACT: 5N Max. /0.2N Min.
 MATING/UNMATING CYCLES: 200MATINGS MIN FOR GOLD-FLASH
 500MATINGS MIN FOR 30u" GOLD.

2. MATERIAL:

INSULATORS: THERMOPLASTIC G.F(UL94V-0) BLACK
 CONTACTS: COPPER ALLOY, GOLD(G/F or 30u") TOP OVER CONTACT
 AREA, 100u" Min MATTE TIN TOP OVER SOLDER AREA,
 50u" Min NICKEL UNDER PLATE.
 SHELL: CARBON STEEL, 100u" Min NICKEL TOP OVER,
 50u" Min COPPER UNDER PLATE.
 HARPOON: COPPER ALLOY, 100u" Min MATTE TIN PLATED.
 NUT: COPPER ALLOY, 50u" Min NICKEL PLATED.

3. PART NUMBER DESCRIPTION: 10090929-S XX X X LF

SERIES NO. _____ LF: ROHS COMPLIANT
 TYPE _____ FLANGE MOUNTING OPTION
 S: SOCKET (FEMALE) V: UNC #4-40 SCREWLOCKS
 NUMBER OF CONTACTS _____ CONTACT FINISH
 15: 15-PIN 4: FLASH GOLD
 26: 26-PIN 6: 30u" GOLD
 44: 44-PIN
 62: 62-PIN

POS.	A	B	C	D	E
15	30.81	24.99	16.33	2.29	19.10
26	39.24	33.32	24.66	2.29	27.75
44	53.04	47.04	38.38	2.29	41.30
62	69.32	63.50	54.84	2.41	57.40

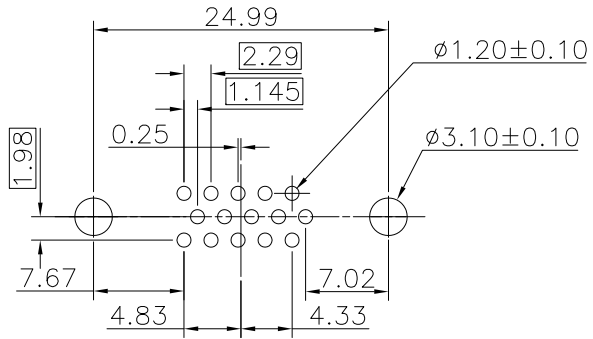
mat'l. code				tolerances unless otherwise specified			CUSTOMER COPY		FCI		www.fciconnect.com	
ltr	ecn no	dr	date	linear	.X ± 0.38		projection	title				
B					.XX ± 0.25			H/D D-SUB FEMALE STRAIGHT				
					.XXX ± 0.10			product family D-SUB				
				angles	0° ±2°		MM		size dwg no		code	
				dr	JASON HSU	10/19/10	scale		A4		10090929	code
				enr	JASON HSU	10/19/10	1:1					TWN
				chr	GARY HSIEH	10/19/10						sheet
				appd	JOSEPH HSIA	10/19/10						2 of 5
sheet index	revision sheet											



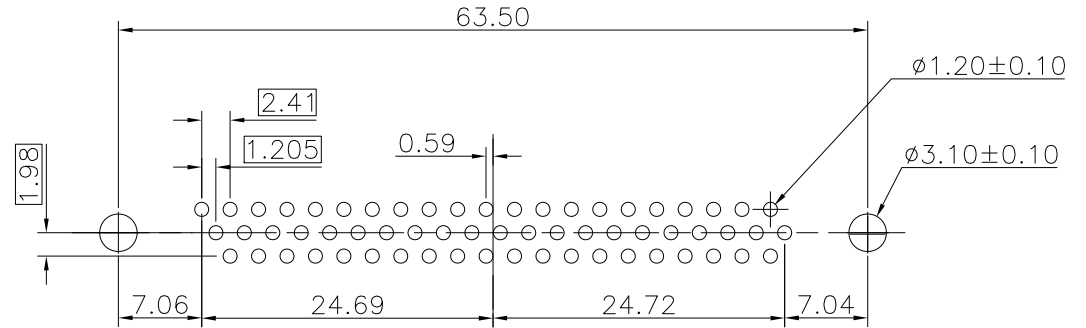
1 | 2

3 |

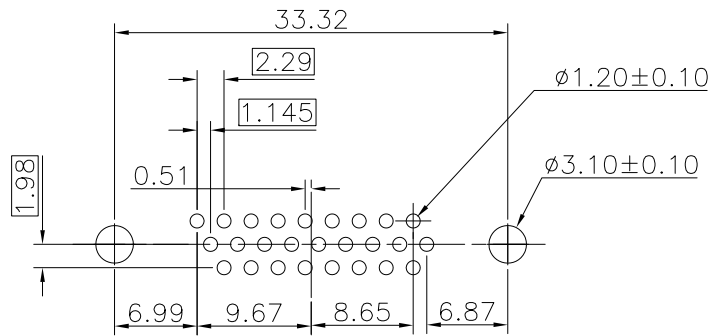
4



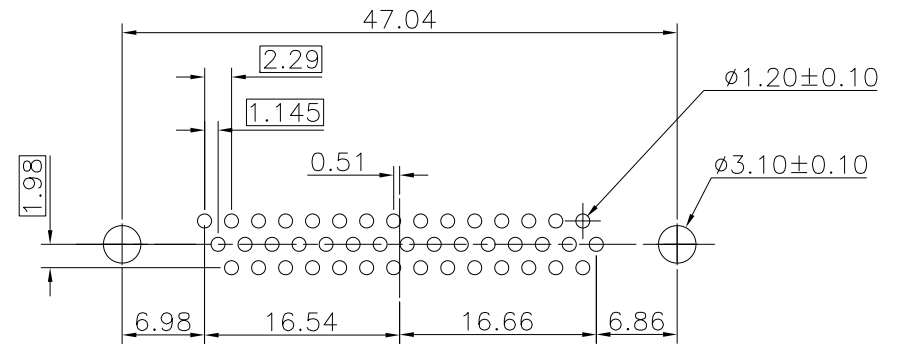
P.C.B LAYOUT (FOR 15P)



P.C.B LAYOUT (FOR 62P)



P.C.B LAYOUT (FOR 26P)



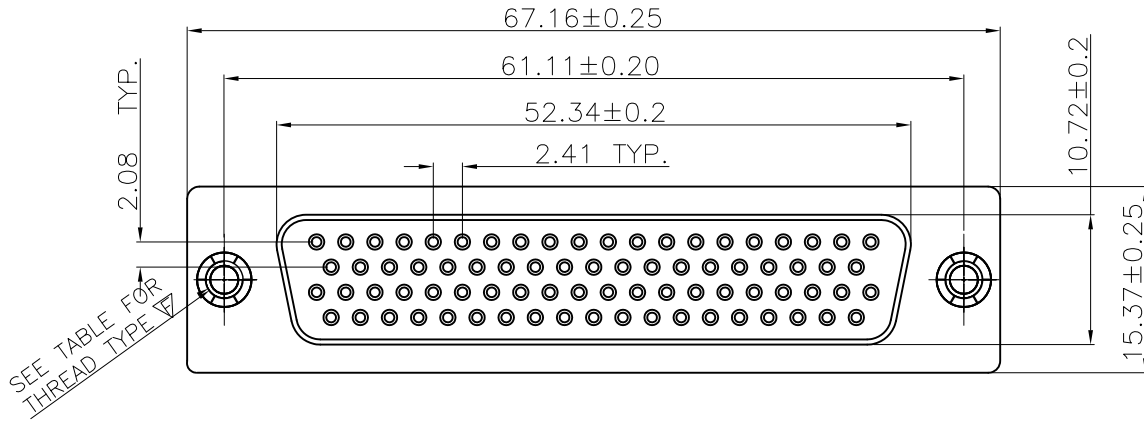
P.C.B LAYOUT (FOR 44P)

mat'l. code				tolerances unless otherwise specified			CUSTOMER COPY		 www.fciconnect.com			
ltr	ecn no	dr	date	linear	.X \pm 0.38		projection	title				
B					.XX \pm 0.25				H/D D-SUB FEMALE STRAIGHT PCB			
					.XXX \pm 0.10				product family D-SUB		code	
				angles	0° \pm 2°		MM		size	dwg no	sheet	
				dr	JASON HSU	10/19/10	scale		A4		10090929	3 of 5
				enr	JASON HSU	10/19/10	1:1					
				chr	GARY HSIEH	10/19/10						
				appd	JOSEPH HSIA	10/19/10						
sheet index	revision sheet											

1 | 2

3 |

4



REMARK:

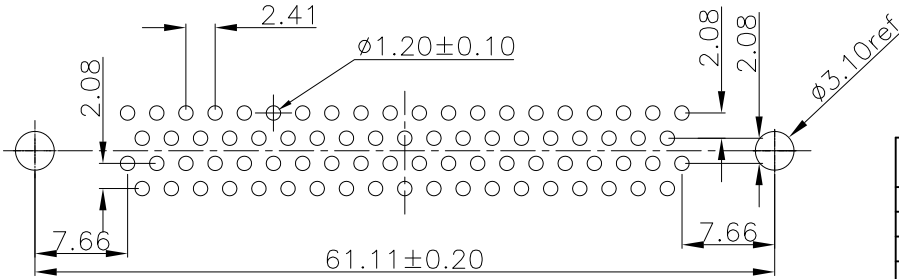
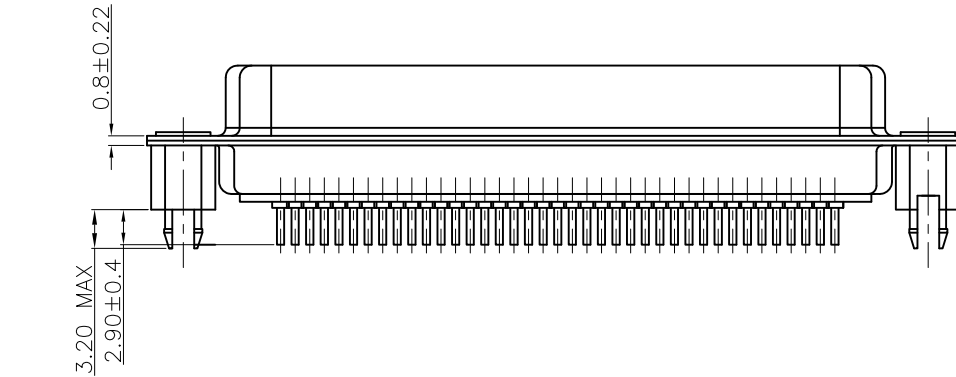
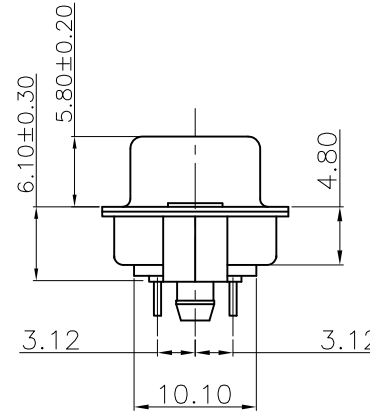
- CHARACTERISTICS:
 - RATED VOLTAGE: 250V
 - RATED CURRENT: 2.5AMP
 - CONTACT RESISTANCE: 35mohms MAX. INITIAL, 50mohms MAX. AFTER.
 - INSULATION RESISTANCE: 5000Mohms MIN. at 500V DC
 - DIELECTRIC STRENGTH: 750VRMS
 - OPERATING TEMPERATURE RANGE: -55° C~105° C
 - INSERTION/EXTRACTION FORCE PER CONTACT: 5N Max./0.2N Min.
 - MATING/UNMATING CYCLES: 200MATINGS MIN FOR GOLD-FLASH, 500MATINGS MIN FOR 30u" GOLD.

2. MATERIAL:

- INSULATORS: THERMOPLASTIC G, F (UL94V-0) BLACK
- CONTACTS: COPPER ALLOY, GOLD(G/F or 30u") TOP OVER CONTACT AREA, 100u" Min MATTE TIN TOP OVER SOLDER AREA, 50u" Min NICKEL UNDER PLATE.
- SHELL: CARBON STEEL, 100u" Min NICKEL TOP OVER, 50u" Min COPPER UNDER PLATE.
- HARPOON: COPPER ALLOY, 100u" Min MATTE TIN PLATED.

3. PART NUMBER DESCRIPTION: **10090929-S XX X X LF**

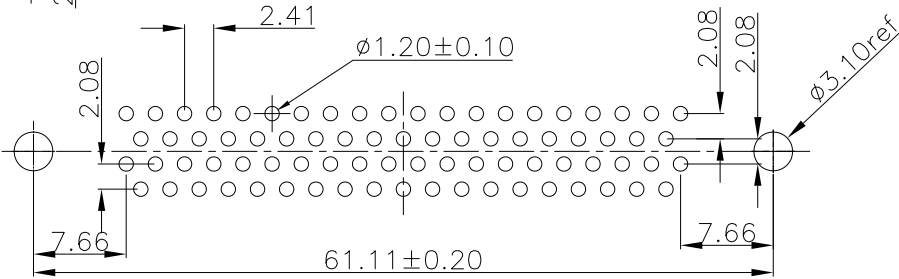
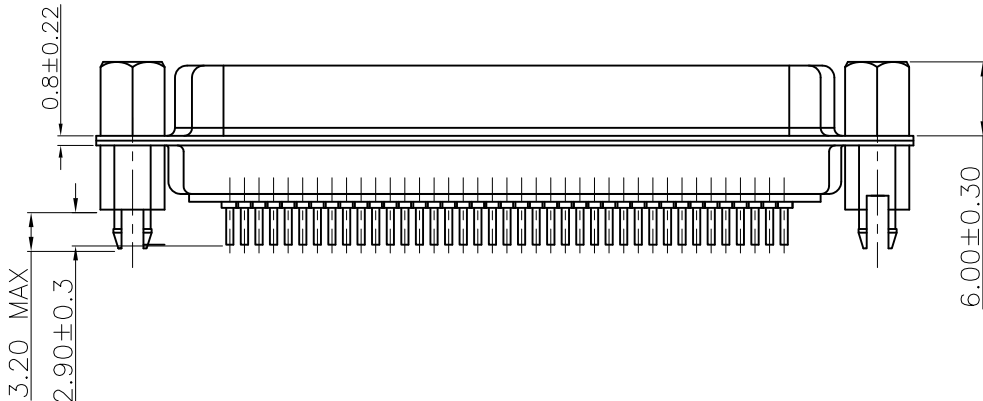
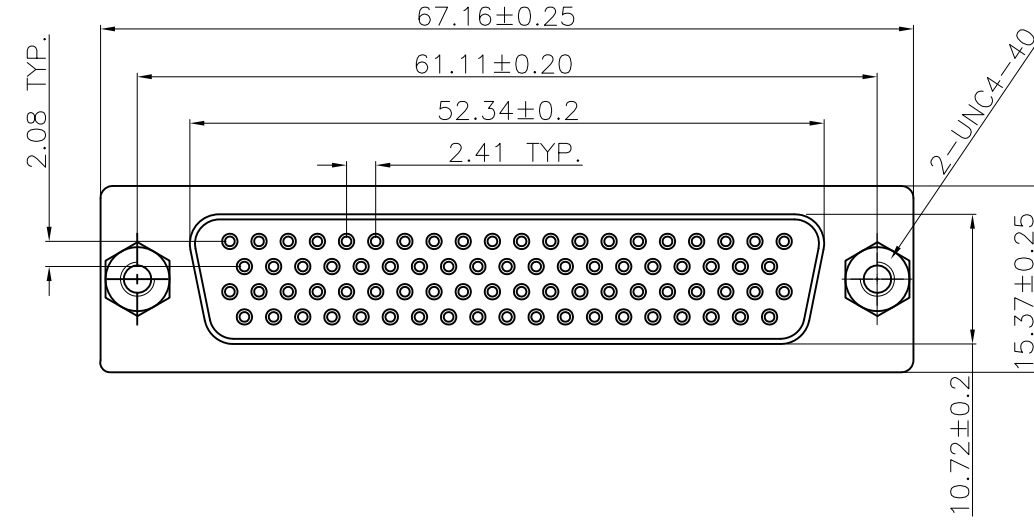
SERIES NO.	LF: ROHS COMPLIANT
TYPE S: SOCKET (FEMALE)	FLANGE MOUNTING OPTION X: UNC #4-40 CLINCHNUTS L: M3 CLINCHNUTS
NUMBER OF CONTACTS 78: 78-PIN	CONTACT FINISH 4: FLASH GOLD 6: 30u" GOLD



P.C.B LAYOUT

POS.	PART NO.	THREAD TYPE
78	10090929-S78*LLF	M3X0.5
78	10090929-S78*XLF	UNC #4-40

mat'l. code				tolerances unless otherwise specified			CUSTOMER COPY		FCI www.fciconnect.com		
ltr	ecn no	dr	date	linear	.X ± 0.38		projection	title			
B					.XX ± 0.25			H/D D-SUB FEMALE STRAIGHT			
					.XXX ± 0.10			product family D-SUB code			
				angles	0° ±2°		MM		size dwg no		
				dr	JASON HSU	10/19/10	scale	A4		10090929	
				enr	JASON HSU	10/19/10		sheet		4 of 5	
				chr	GARY HSIEH	10/19/10		sheet		4 of 5	
				appd	JOSEPH HSIA	10/19/10		sheet		4 of 5	
sheet index	revision sheet										



P.C.B LAYOUT

REMARK:

1. CHARACTERISTICS:

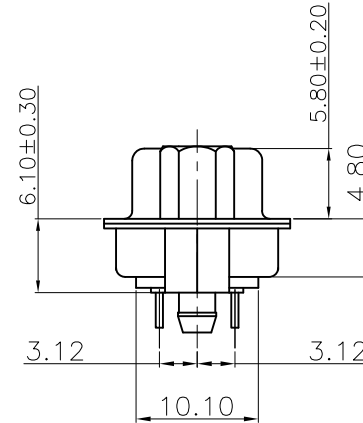
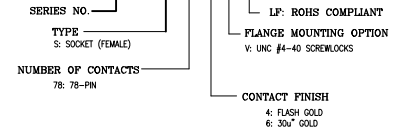
- RATED VOLTAGE: 250V
- RATED CURRENT: 2.5AMP
- CONTACT RESISTANCE: 35mohms MAX. INITIAL, 50mohms MAX. AFTER.
- INSULATION RESISTANCE: 5000Mohms MIN. at 500V DC
- DIELECTRIC STRENGTH: 750VRMS
- OPERATING TEMPERATURE RANGE: -55° C~105° C
- INSERTION/EXTRACTION FORCE PER CONTACT: 5N Max./0.2N Min.
- MATING/UNMATING CYCLES: 200MATINGS MIN FOR GOLD-FLASH 500MATINGS MIN FOR 30u" GOLD.

2. MATERIAL:

- INSULATORS: THERMOPLASTIC G.F(UL94V-0) BLACK
- CONTACTS: COPPER ALLOY, GOLD(G/F or 30u") TOP OVER CONTACT AREA, 100u" Min MATTE TIN TOP OVER SOLDER AREA, 50u" Min NICKEL UNDER PLATE.
- SHELL: CARBON STEEL, 100u" Min NICKEL TOP OVER, 50u" Min COPPER UNDER PLATE.
- HARPOON: COPPER ALLOY, 100u" Min MATTE TIN PLATED.
- NUT: COPPER ALLOY, 50u" Min NICKEL PLATED.

3. PART NUMBER DESCRIPTION:

10090929-S XX X X LF



PART NO.: 10090929-S78*VLF

mat'l. code				tolerances unless otherwise specified			CUSTOMER COPY		FCI		www.fciconnect.com	
ltr	ecn no	dr	date	linear	.X ± 0.38		projection	title				
B					.XX ± 0.25			H/D D-SUB FEMALE STRAIGHT				
					.XXX ± 0.10							
				angles	0° ±2°		MM		product family D-SUB		code	
				dr	JASON HSU	10/19/10	scale		size dwg no		TWN	
				enr	JASON HSU	10/19/10	1:1		A4		10090929	
				chr	GARY HSIEH	10/19/10					sheet	
				appd	JOSEPH HSIA	10/19/10					5 of 5	
sheet index	revision sheet											