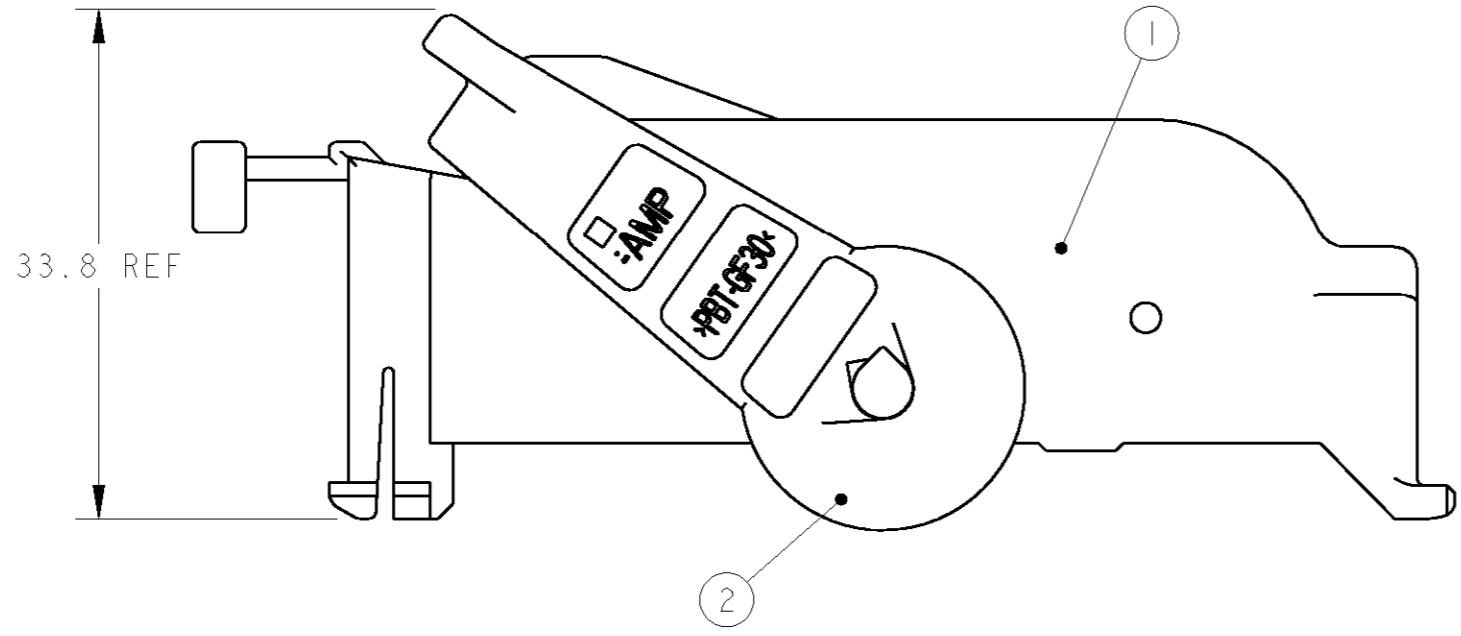
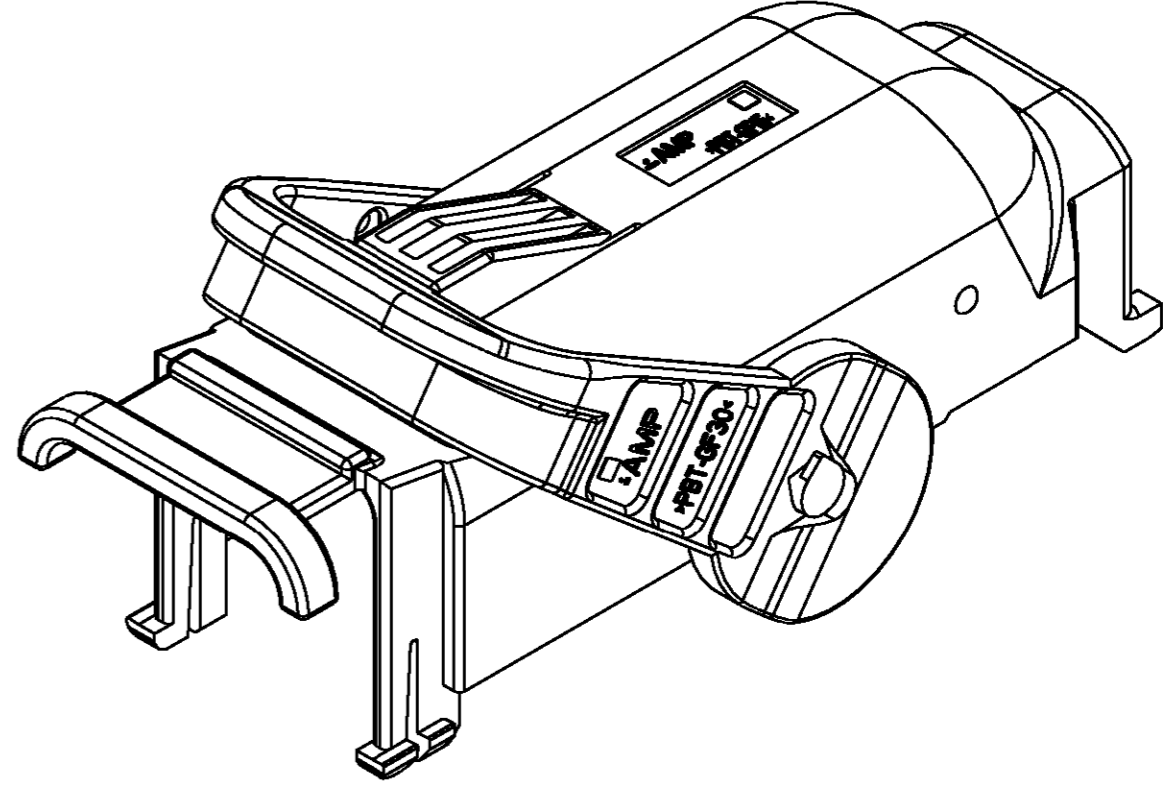
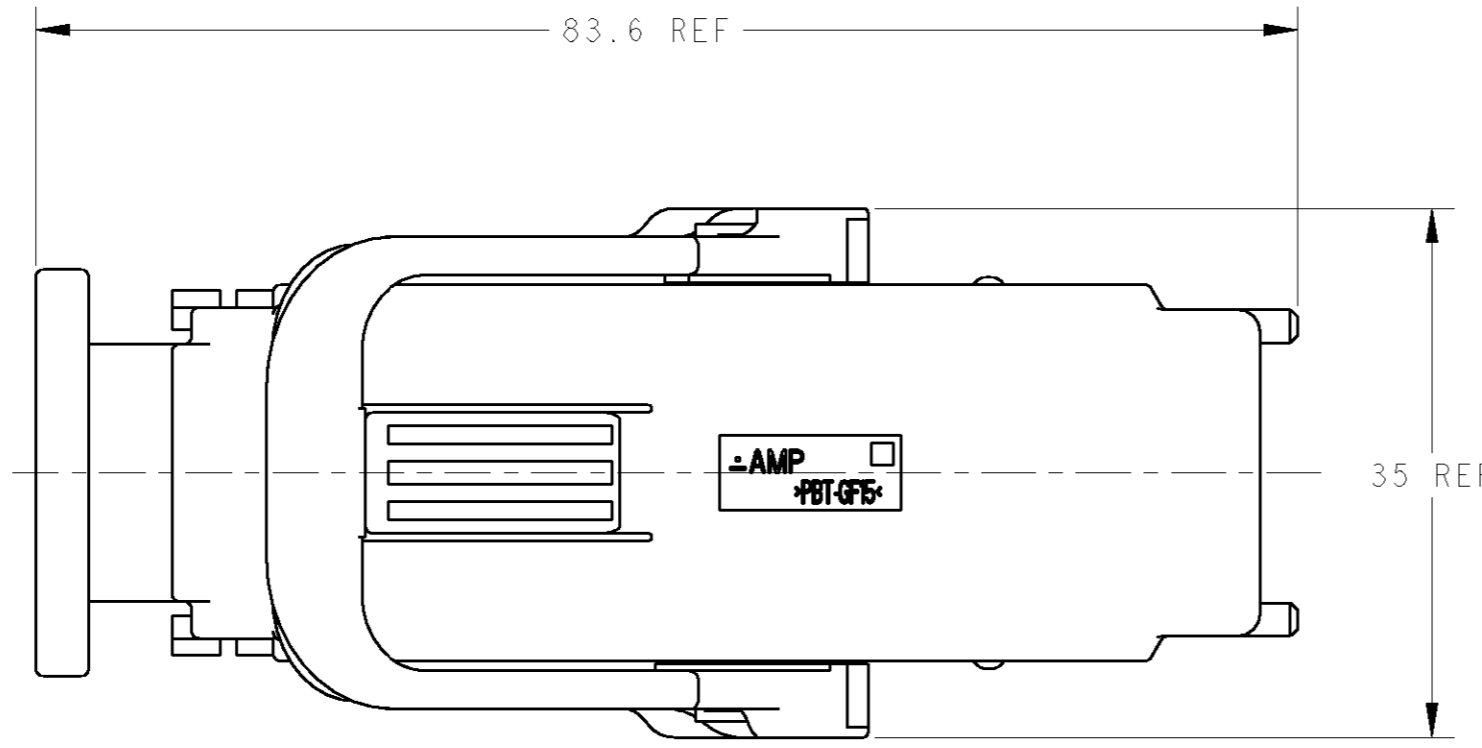


THIS DRAWING IS UNPUBLISHED. RELEASED FOR PUBLICATION 20
 © COPYRIGHT 20 BY TYCO ELECTRONICS CORPORATION. ALL RIGHTS RESERVED.

REVISONS					
REV	DATE	DESCRIPTION	ECN	DWN	APVD
0		RELEASED	FJ00-2386-01	Y.K	N.S



1. PART NUMBER OF PLUG HOUSING ASSEMBLY TO BE APPLIED ; P/N 1473244-1
 2. INSTRUCTION SHEET NO ; 411-78008
 1. 適用プラグハウジングアセンブリ型番は、P/N 1473244-1
 2. 取扱説明書 NO ; 411-78008

1	1473249-1	LEVER	BLACK	2
1	1473248-1	HARNESS COVER	BLACK	1
-1	PART NO	PART NAME	FINISH/COLOR	NO

THIS DRAWING IS A CONTROLLED DOCUMENT FOR TYCO ELECTRONICS CORPORATION IT IS SUBJECT TO CHANGE AND THE CONTROLLING ENGINEERING ORGANIZATION SHOULD BE CONTACTED FOR THE LATEST REVISION.		DWN Y. KAWAHARA CHK N. SAI APVD K. SHIMIZU	100CT2001 100CT2001 100CT2001	Tyco Electronics AMP K.K. Kawasaki, Japan
DIMENSIONS: 単位: ㎜	TOLERANCES UNLESS OTHERWISE SPECIFIED: 一般公差=±0.3 0-PLC ± 1-PLC ±0.5 2-PLC ±0.13 3-PLC ±0.13 4-PLC ±0.001 ANGLES ±3°00'	PRODUCT SPEC 108-5793 APPLICATION SPEC 114-18021,114-18050	NAME LEVER ASSY TYPE-A (STEER THE WIRE OUTSIDE) SEALED 8IPOS. PLUG HSG MQS CLEAN BODY/JPT	SIZE A2
MATERIAL 材料 PBT	FINISH 仕上 SEE TABLE	WEIGHT 14.9g	DRAWING NO 1473247	RESTRICTED TO -
CUSTOMER DRAWING			SCALE 2.1	SHEET 1 OF 1