

/auto2/new/u.q98-00261.i.customer/s.c-174263

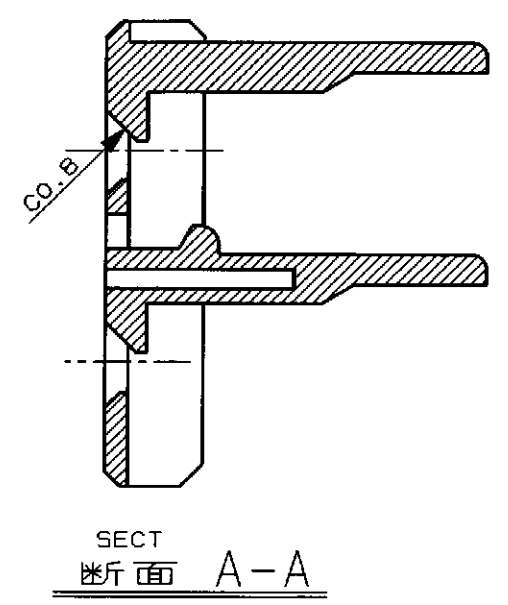
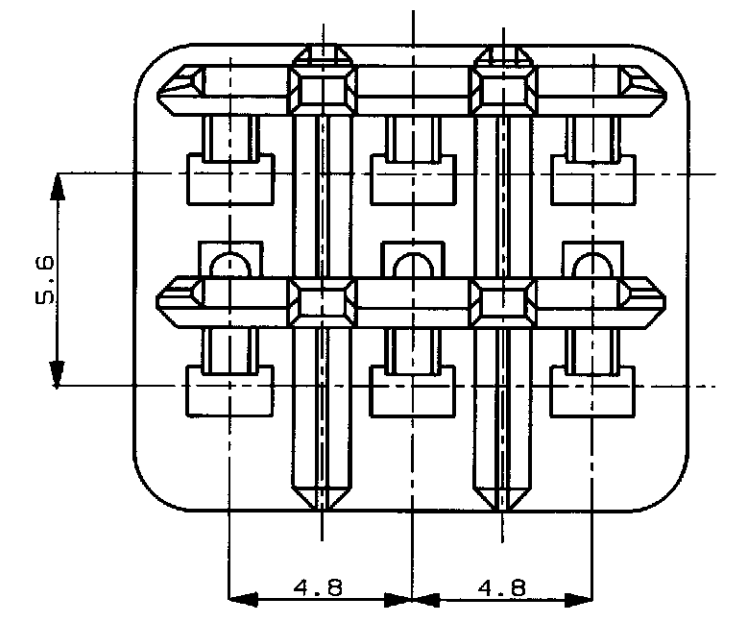
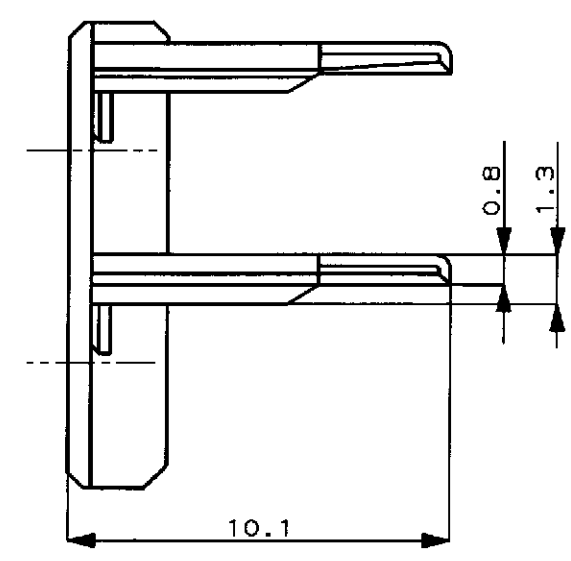
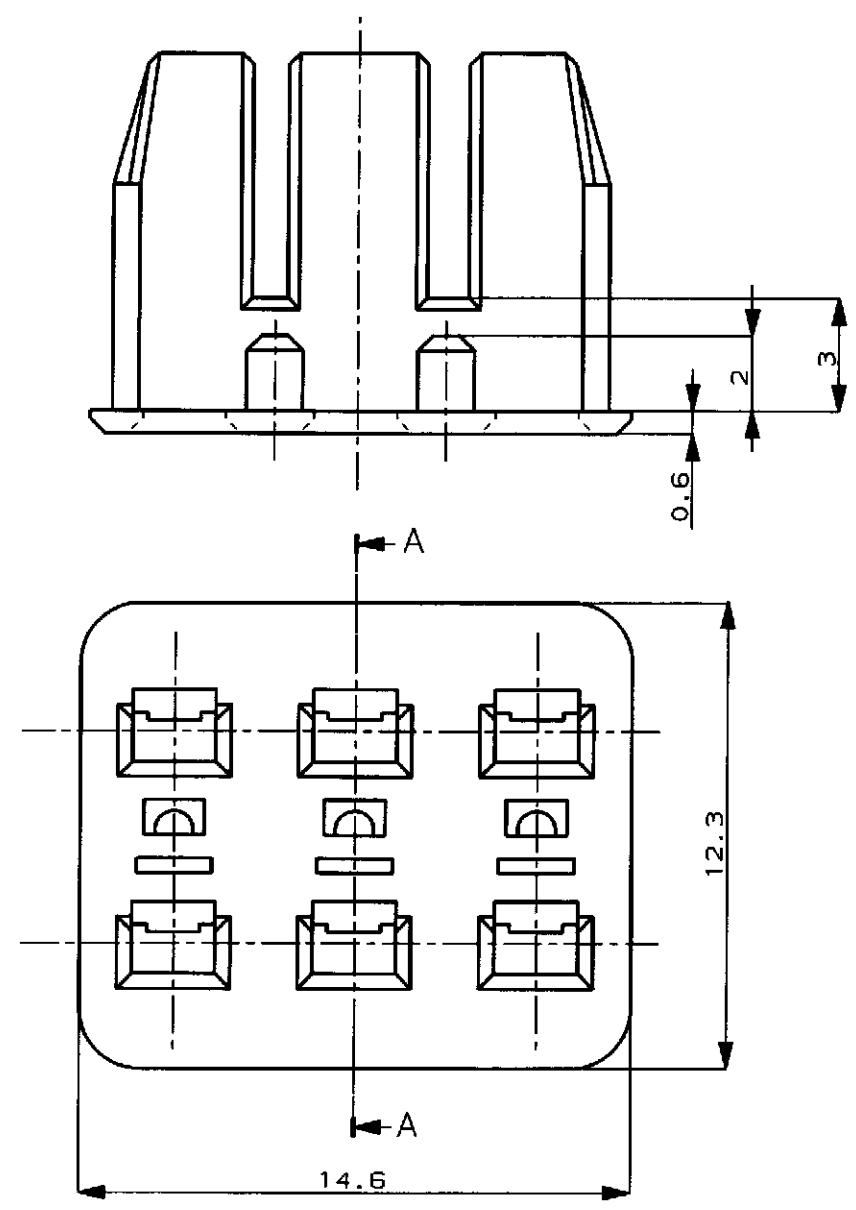
NUMBER C-174263



METRIC

DIMENSIONS IN MILLIMETERS. DO NOT SCALE PRINT

PRINT DIST



注 :

- 1. 本品はプラグハウジングP/N174262に装着される

NOTE :

- 1. TO BE MATES WITH PLUG HOUSING P/N 174262

PBT	(NATURAL) 自然色	1-174263-1
PBT, 難燃材	(YELLOW) 黄	174263-7
MATERIAL 材料	HOUSING COLOR ハウジング色	P/N

© 19 BY AMP (Japan) LTD.
ALL RIGHTS RESERVED.
AMP PRODUCTS COVERED BY PATENTS
AND OR PATENTS PENDING

AMP AMP (JAPAN), LTD.
Tokyo, Japan

WIRE RANGE mm ² (AWG)				INSULATION DIA mm		NAME 6P. ECONOSEAL J-MARK II ⁺ CONNECTOR 6極 エコノシール J マーク II ⁺ DOUBLE LOCK PLATE FOR PLUG HOUSING プラグ用ダブルロックプレート				
B	REVISED	FJ00-0601-98	AY AB	3/12/98	MATERIAL PBT	COLOR YELLOW 黄色	GENERAL TOLERANCE			
A	ADDED	FJ00-3794-95	MT AT	12/12/95	DR. T. SAGAWA	DE. K. Oda	0<≦10 : ±0.2	SIZE A3	LOC J	NUMBER C-174263
O	作成	RELEASED J-9751	T. SY. M	5/26/89	CHK. Matsushita	APP. M. Nozuchi	10<≦30 : ±0.25	SCALE 5-1	REV. B	SHEET 1 OF 1
LTR	REVISION RECORD	DR	CHK	DATE	ANGLES : ±3°					

CUSTOMER DRAWING

AMP-J
REV J0/1/89
F1029188