

THIS DRAWING IS UNPUBLISHED.

RELEASED FOR PUBLICATION

,19

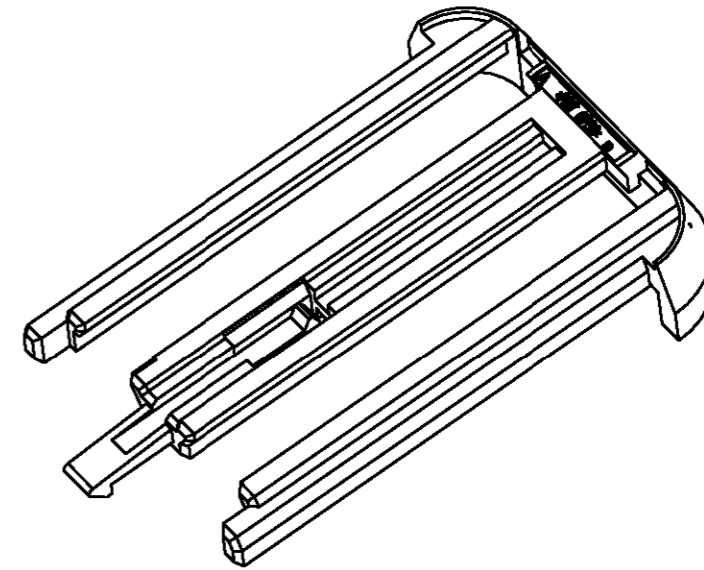
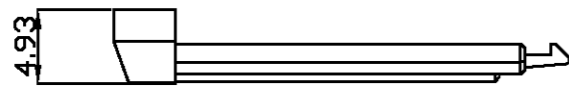
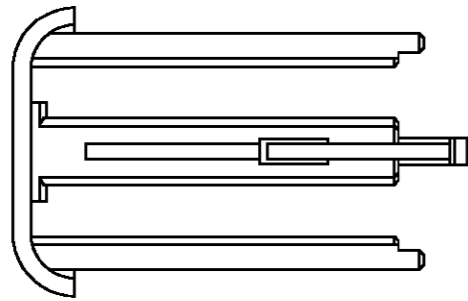
© COPYRIGHT 19

BY AMP INCORPORATED. ALL RIGHTS RESERVED.

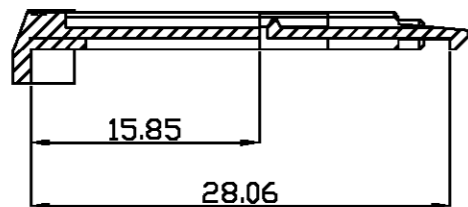
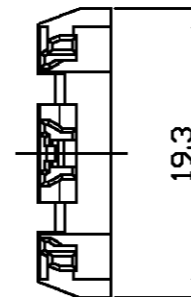
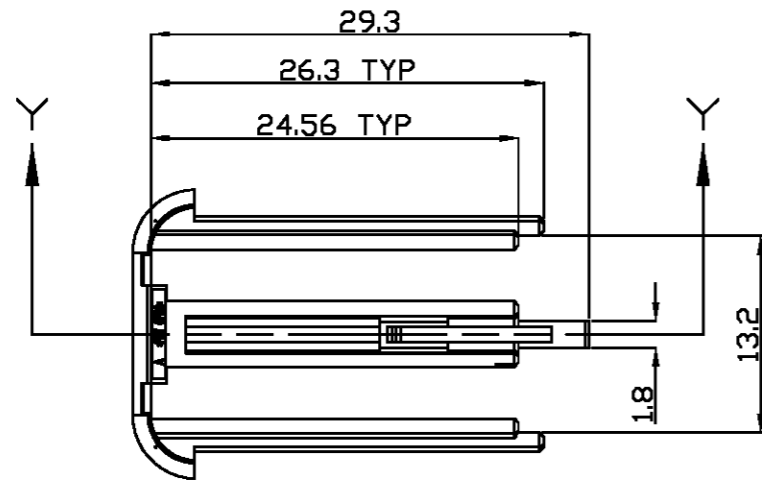
LDC DS DIST

REVISIONS

P	LTR	DESCRIPTION	DATE	DWN	APVD
	□	RELEASED(FC00-0162-00)	15,DEC,'00	HS	CS



3-D VIEW
SCALE 3/1



SECTION Y-Y

NOTES:

1. MATERIAL - P.B.T GF30, COLOR - YELLOW.
2. GENERAL TOLERANCE IS ±0.3
3. APPLIED PLUG ASSEMBLY P/N: 368383.

THIS DRAWING IS A CONTROLLED DOCUMENT FOR AMP INCORPORATED. IT IS SUBJECT TO CHANGE AND THE CONTROLLING ENGINEERING ORGANIZATION SHOULD BE CONTACTED FOR THE LATEST REVISION.

DWN HS BAE		AMP AMP KOREA. kyungsan, korea	
CHK BM JANG			
APVD CS LEE		NAME	
PRODUCT SPEC		MQS RETAINER HSG FOR 40POS	
APPLICATION SPEC		SIZE	DRAWING NO
MATERIAL SEE NOTE		A3	C-368388
FINISH N/A		CAGE CODE	00779
WEIGHT		SCALE	2/1
		SHEET	1 OF 1
		REV	□