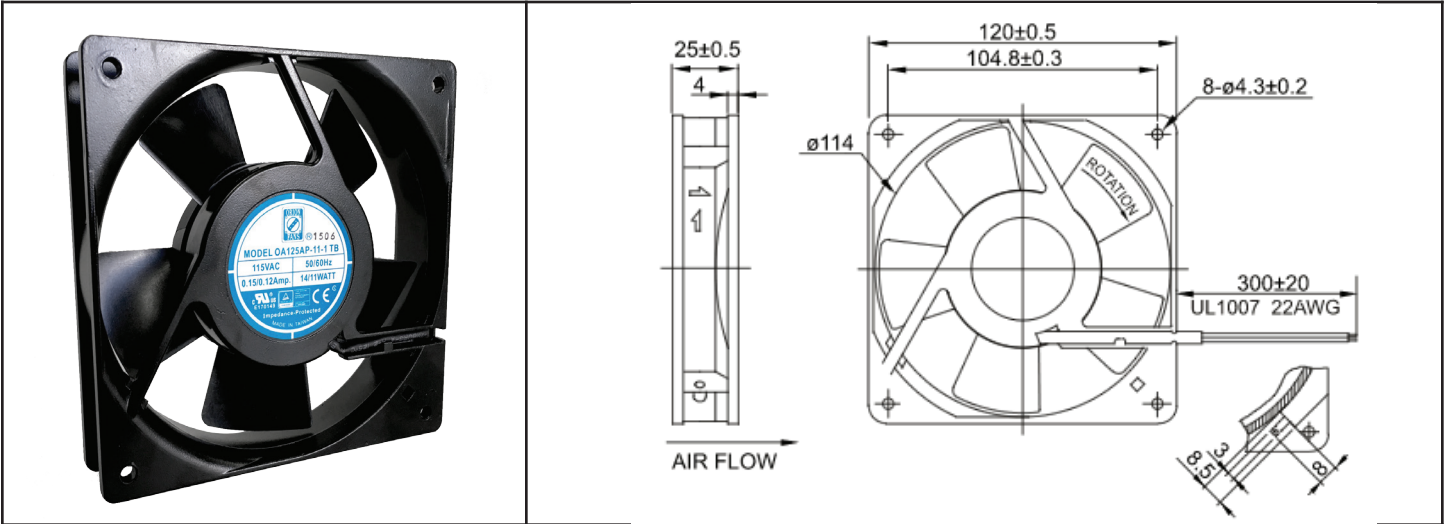


OA125 Series



AC Fan - 115V, 230V
120 x 25mm (4.7" x 1.0")



Frame	Diecast Aluminum	<p><u>Operating Temperature</u> Ball Bearing -20C ~ +80C Sleeve Bearing -10C ~ +50C Storage Temp -40C ~ +80C</p> <p><u>Life Expectancy</u> Ball Bearing 60,000 hours (L10 at 40C) Sleeve Bearing 30,000 hours (L10 at 40C)</p> <p>Weight: ~ 0.73 lbs. m2</p>	
Impeller	PBT, UL94V-0 plastic		
Connection	2x Lead Wires 22 AWG or terminals		
Motor	Shaded pole, impedance protected		
Bearing System	Dual ball or Sleeve		
Insulation Resistance	>100M ohm between lead-wire and frame (500VDC)		
Dielectric Strength	1 min at 1500 VAC, 50/60Hz		

Model Number	Speed (RPM)	Airflow (CFM)	Noise (dB)	Volts AC	Voltage Range	Watts	Max. Static Pressure ("H ₂ O)
OA125AP-11-1 *	2900	75	42	115	80~130	11	.21
OA125AP-11-2 *	2500	60	37	115	80~130	11	.16
OA125AP-11-3 *	2000	53	33	115	80~130	11	.11
OA125AP-22-1 *	2900	75	42	230	160~260	14	.21
OA125AP-22-2 *	2500	60	37	230	160~260	14	.16
OA125AP-22-3 *	2000	53	33	230	160~260	14	.11

* Indicate "TB" (Terminal Ball Bearing), "WB" (12" Wire Leads, Ball Bearing), "TS" (Terminal, Sleeve Bearing), "WS" (12" Wire Leads, Sleeve Bearing)

Mouser Electronics

Authorized Distributor

Click to View Pricing, Inventory, Delivery & Lifecycle Information:

Orion Fans:

[OA125AP-11-2TB](#) [OA125AP-11-2WB](#) [OA125AP-11-3TB](#) [OA125AP-11-1TB](#) [OA125AP-11-1WB](#) [OA125AP-22-1WB](#)
[OA125AP-22-1TB](#) [OA125AP-22-3WB](#) [OA125AP-22-2TB](#) [OA125AP-22-2WB](#) [OA125AP-22-3TB](#) [OA125AP-11-3WB](#)
[OA125AP-11-2WS](#) [OA125AP-22-1TS](#) [OA125AP-22-2TS](#) [OA125AP-11-3WS](#) [OA125AP-22-2WS](#) [OA125AP-22-3WS](#)
[OA125AP-11-2TS](#) [OA125AP-22-1WS](#) [OA125AP-22-3TS](#) [OA125AP-11-3TS](#) [OA125AP-11-1WS](#) [OA125AP-11-1TS](#)