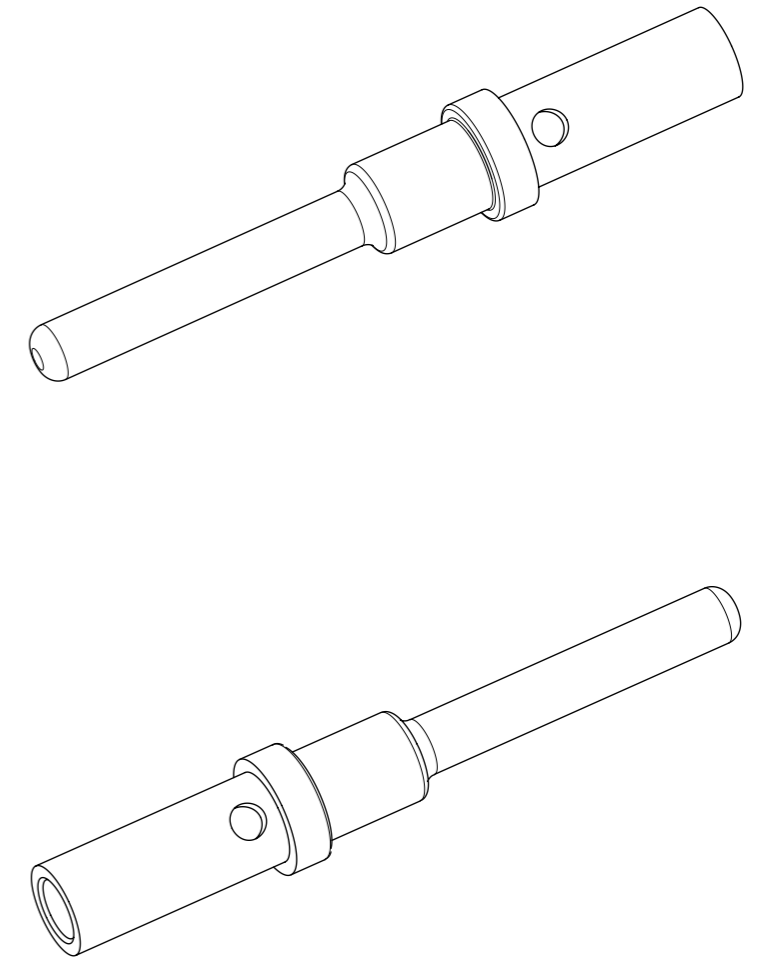
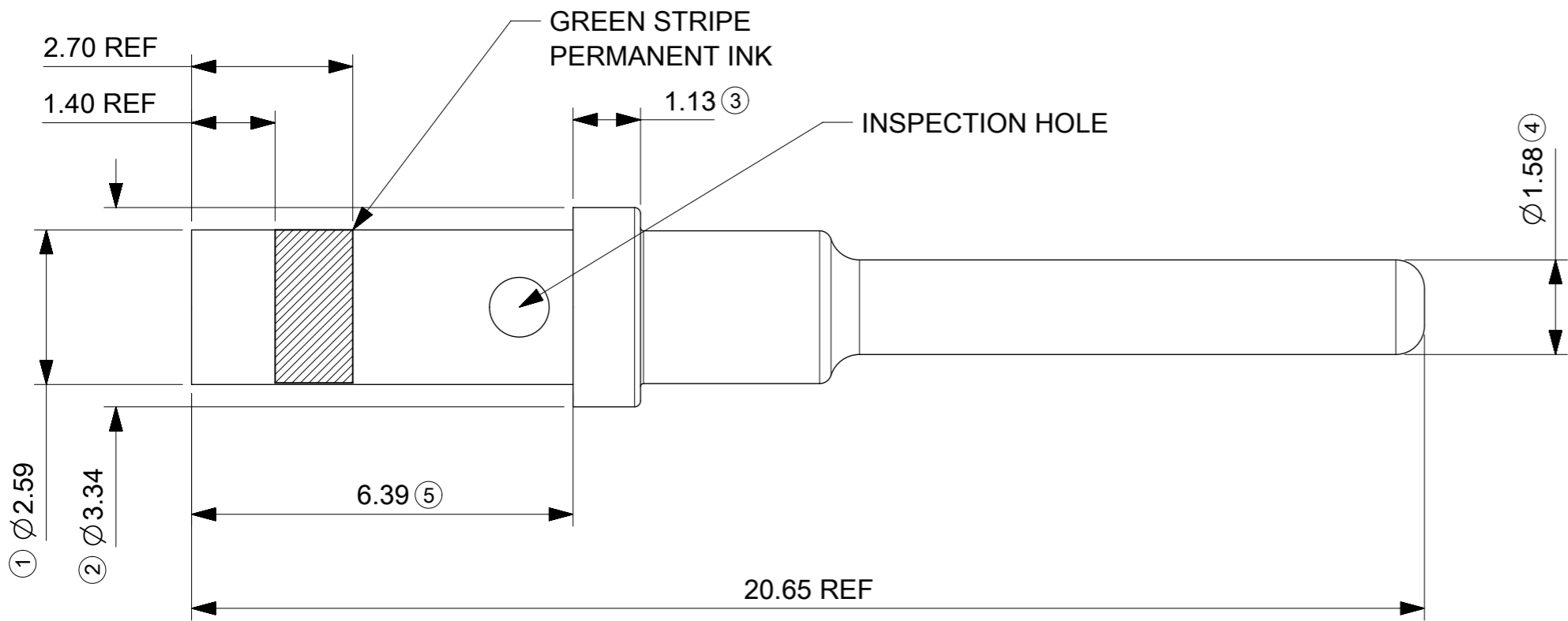


PART NUMBER	DESCRIPTION	GREEN STRIPE	PLATING OPTION
936400022	14AWG	YES	1
936400024	14AWG	YES	2
936400012	16-20AWG	NO	1
936400014	16-20AWG	NO	2

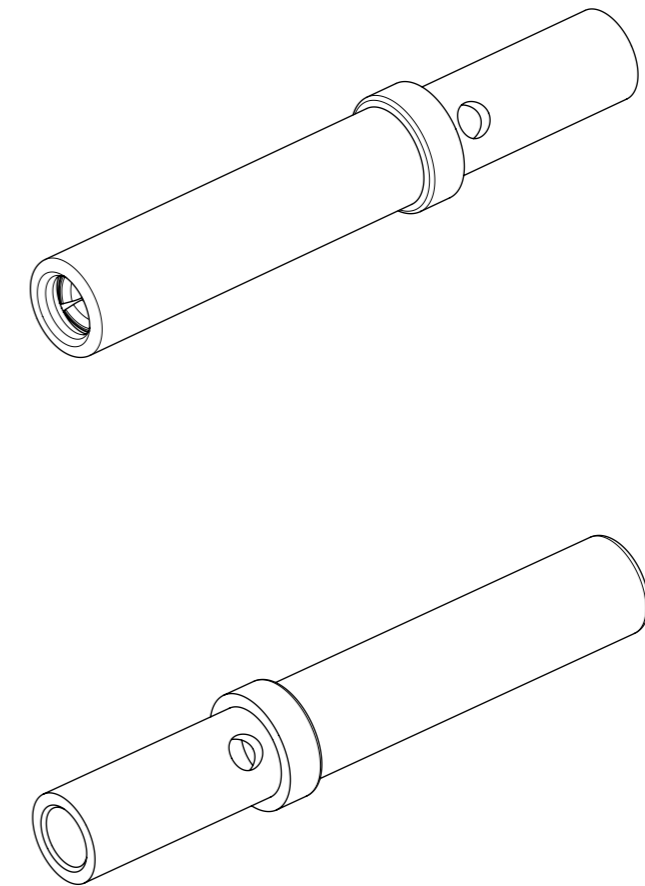
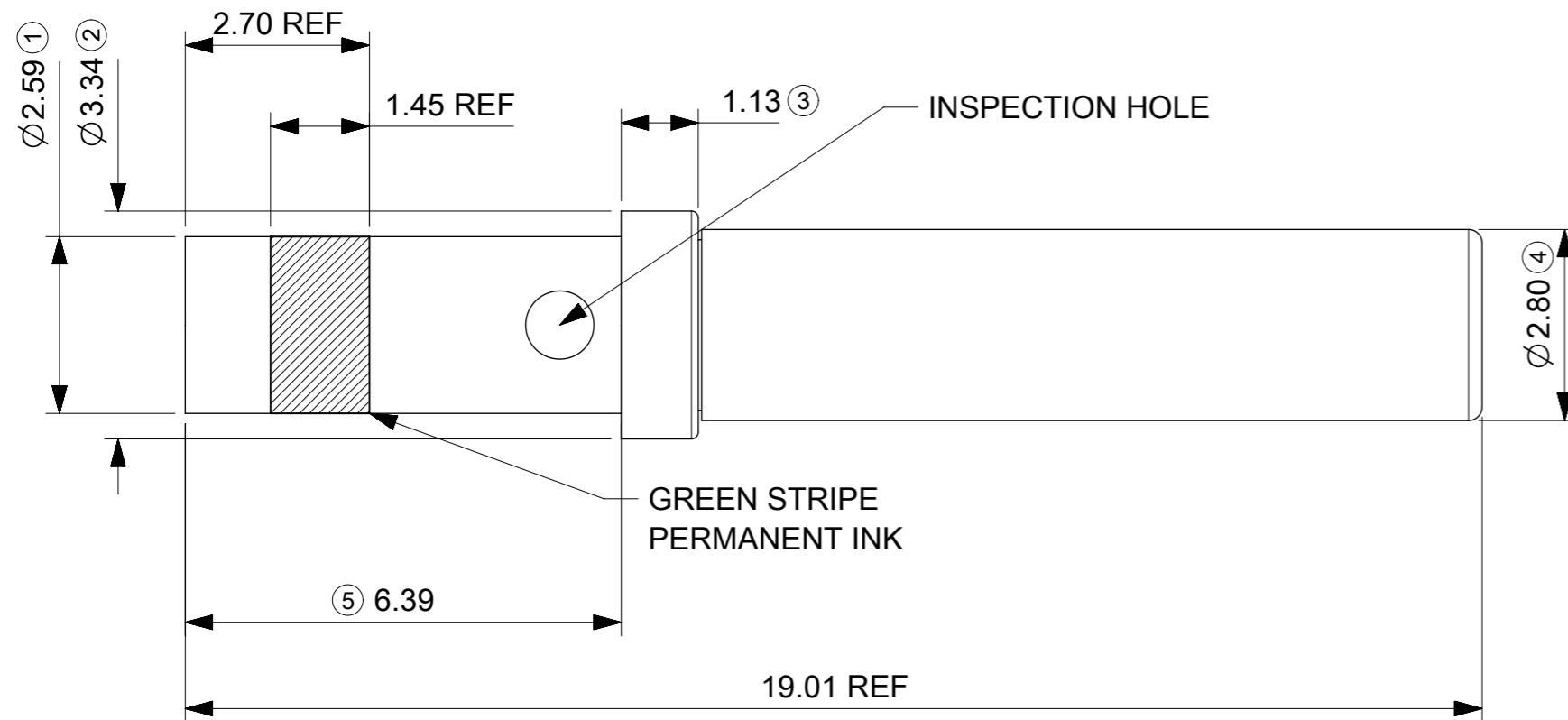


NOTES:

- MATERIAL
COPPER ALLOY TERMINAL
- FINISH
OPTION 1: NICKEL ALLOVER
OPTION 2: GOLD OVER NICKEL ALLOVER
- REFER TO 936400010 PSK FOR PACKAGING INFORMATION.
- REFER TO 936400010 PSP FOR PRODUCT SPECIFICATION.
- CRIMP TOOL DATA:
PLEASE CONTACT MOLEX PERSONNEL.
- REFER TO 934430010 PSA FOR CRIMPING INFORMATION.
- TERMINALS ARE RoHS AND REACH COMPLIANT.
- LAST INSPECTION No. 5

SYMBOLS	THIS DRAWING CONTAINS INFORMATION THAT IS PROPRIETARY TO MOLEX ELECTRONIC TECHNOLOGIES, LLC AND SHOULD NOT BE USED WITHOUT WRITTEN PERMISSION	
DIMENSION UNITS	SCALE	CURRENT REV DESC: SEE LONG TEXT
$\nabla = 0$	mm	1:1
$\nabla = 0$	GENERAL TOLERANCES (UNLESS SPECIFIED)	
$\nabla = 0$	ANGULAR TOL \pm °	
$\nabla = 0$	4 PLACES \pm	EC NO: 172329
$\nabla = 0$	3 PLACES \pm	DRWN: JFLETCHER 2018/02/20
$\nabla = 0$	2 PLACES ± 0.1	CHK'D: JDWALLACE 2018/03/02
$\nabla = 0$	1 PLACE ± 0.2	APPR: IOCONNELL 2018/03/09
$\nabla = 0$	0 PLACES \pm	INITIAL REVISION:
$\nabla = 0$	DRAFT WHERE APPLICABLE MUST REMAIN WITHIN DIMENSIONS	DRWN: FDUGGAN 2017/02/20
$\nabla = 0$	THIRD ANGLE PROJECTION	APPR: JDWALLACE 2017/08/25
	DRAWING	SERIES
	A3-SIZE	93640
	MATERIAL NUMBER	CUSTOMER
	SEE CHART	GENERAL MARKET
	DOCUMENT NUMBER	DOC TYPE DOC PART REVISION
	936400010	PSD 000 A1
	SHEET NUMBER	1 OF 1

PART NUMBER	DESCRIPTION	GREEN STRIPE	PLATING OPTION
936410022	14AWG	YES	1
936410024	14AWG	YES	2
936410012	16-20AWG	NO	1
936410014	16-20AWG	NO	2



- NOTES:
- MATERIAL
COPPER ALLOY TERMINAL
STAINLESS STEEL HOOD
 - FINISH
OPTION 1: NICKEL ALLOVER
OPTION 2: GOLD OVER NICKEL ALLOVER
 - REFER TO 936400010 PSK FOR PACKAGING INFORMATION.
 - REFER TO 936400010 PSP FOR PRODUCT SPECIFICATION.
 - CRIMP TOOL DATA:
PLEASE CONTACT MOLEX PERSONNEL.
 - REFER TO 934430010 PSA FOR CRIMPING INFORMATION.
 - TERMINALS ARE RoHS & REACH COMPLIANT.
 - LAST INSPECTION No. 5

SYMBOLS	THIS DRAWING CONTAINS INFORMATION THAT IS PROPRIETARY TO MOLEX ELECTRONIC TECHNOLOGIES, LLC AND SHOULD NOT BE USED WITHOUT WRITTEN PERMISSION	
DIMENSION UNITS	SCALE	CURRENT REV DESC: SEE LONG TEXT
$\nabla = 0$	mm	5:1
$\nabla = 0$	GENERAL TOLERANCES (UNLESS SPECIFIED)	
$\nabla = 0$	ANGULAR TOL \pm °	
$\nabla = 0$	4 PLACES \pm	EC NO: 172329
$\nabla = 0$	3 PLACES \pm	DRWN: JFLETCHER 2018/02/20
$\nabla = 0$	2 PLACES \pm 0.1	CHK'D: JDWALLACE 2018/03/02
$\nabla = 0$	1 PLACE \pm 0.2	APPR: IOCONNELL 2018/03/09
$\nabla = 0$	0 PLACES \pm	INITIAL REVISION:
$\nabla = 0$	DRAFT WHERE APPLICABLE MUST REMAIN WITHIN DIMENSIONS	DRWN: FDUGGAN 2017/02/16
$\nabla = 0$	THIRD ANGLE PROJECTION	APPR: JDWALLACE 2017/08/25
	DRAWING	SERIES
	A3-SIZE	93640
	MATERIAL NUMBER	CUSTOMER
	SEE CHART	GENERAL MARKET
	DOCUMENT NUMBER	DOC TYPE DOC PART REVISION
	936400020	PSD 000 A1
	SHEET NUMBER	1 OF 1