

4

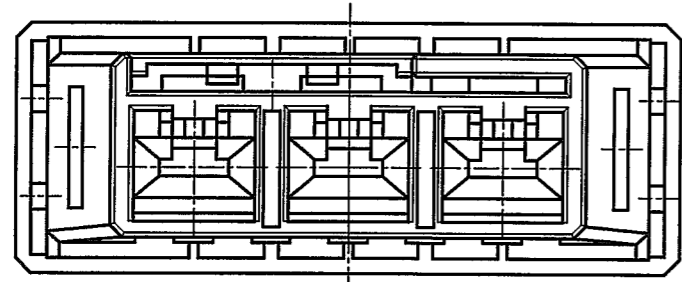
3

2

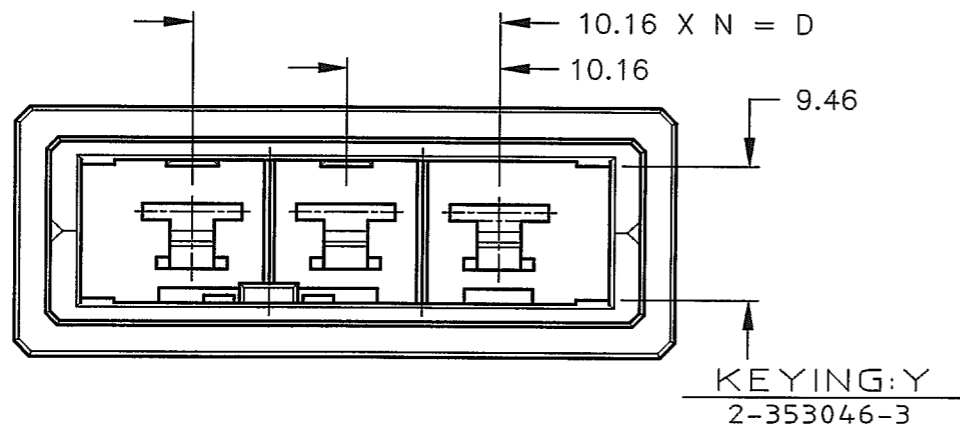
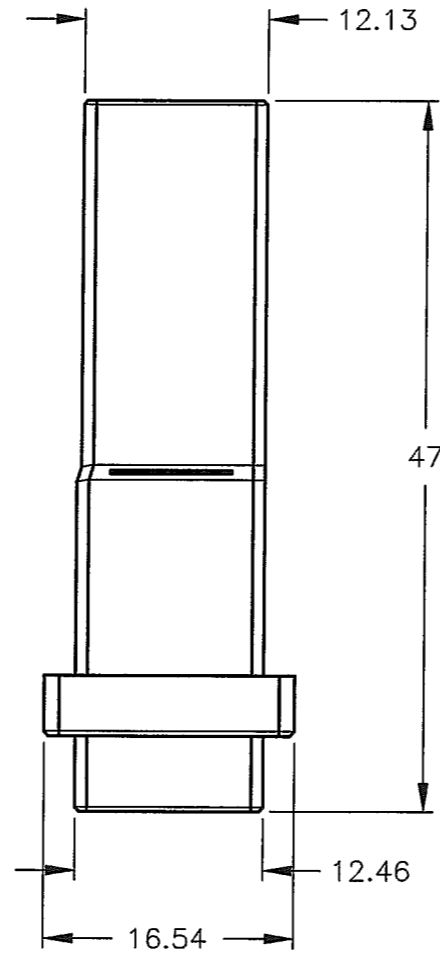
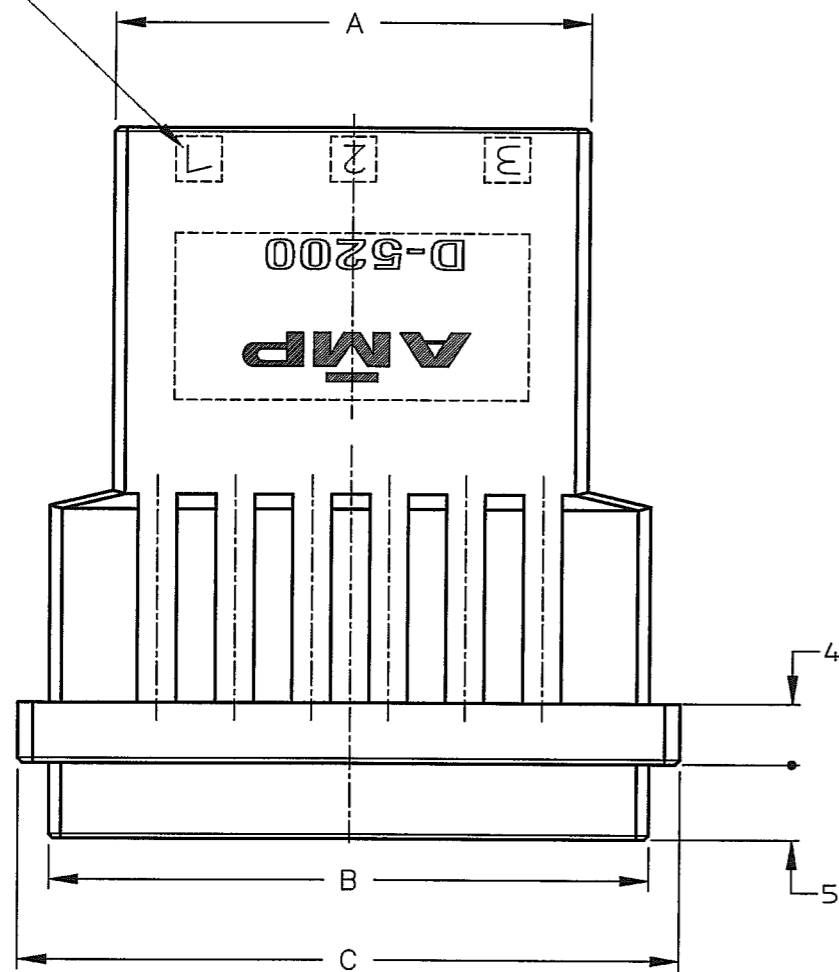
1

THIS DRAWING IS UNPUBLISHED. RELEASED FOR PUBLICATION .1996
 © COPYRIGHT 1996 BY AMP INCORPORATED, ALL RIGHTS RESERVED.

P	LTR	DESCRIPTION	ECN	DATE	DWN	APVD
	0	RELEASED	FJ00-4330-96	16/MAY '96	K.I	Y.I
	A	REVISED	FJ00-5532-96	7/JAN '97	K.I	Y.I
	B	REVISED	FJ00-0246-97	18/FEB '97	K.I	Y.I
	C	REVISED	FJ00-1335-97	18/FEB '97	K.I	I.H
	D	REVISED	FJD0-0108-04	29/MAR '04	T.S	D.M



CIRCUIT NO.
回路番号

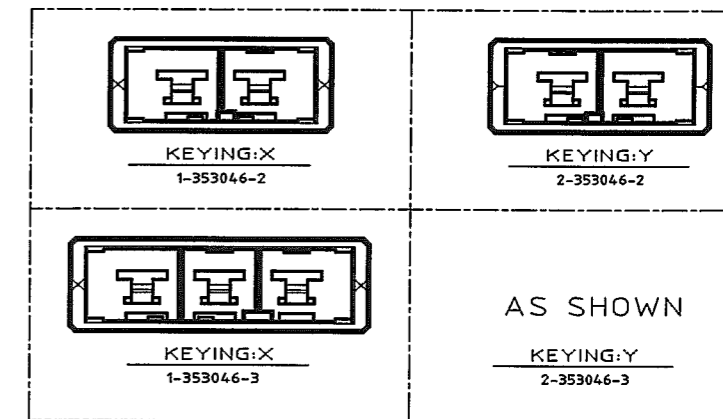


注記

△ 材料:ハウジング:ガラス入り熱可塑性
 ポリエステル樹脂 (94V-0),色:黒

NOTES

△ MATERIAL:HOUSING:GLASS FILED THERMO PLASTIC
 ,POLYESTER(94-V-0),COLOR:BLACK



							2-353046-3
31.27	39.52	43.6	20.32	2	3		1-353046-3
							2-353046-2
21.11	29.36	33.44	10.16	1	2		1-353046-2
A	B	C	D	N	POS		P/N

WIRE RANGE 適合電線断面積	INSULATION DIA 線径外径
T1	T1

THIS DRAWING IS A CONTROLLED DOCUMENT FOR AMP INCORPORATED. IT IS SUBJECT TO CHANGE AND THE CONTROLLING ENGINEERING ORGANIZATION SHOULD BE CONTACTED FOR THE LASTEST REVISION.		DWN K.IKEDA 16/MAY/'96	 Tyco Electronics AMP K.K. Kawasaki, Japan
DIMENSIONS: 単位 番 mm		CHK Y.Ishikawa 16/MAY/'96	
TOLERANCES UNLESS OTHERWISE SPECIFIED		APVD S.Manabe 17/MAY/'96	NAME 名称 1列 タブ ハウジング フリーハンギング タイプ
一般公差 10φ : ±0.2 3φ >10 : ±0.25 10φ >30 : ±0.3 ANGLE : ±0.3°		PRODUCT SPEC 製品規格 108-5453	SINGLE ROW TAB HSG (FREE HANGING) <DYNAMIC D-5200 S>
MATERIAL 材料		APPLICATION SPEC 取付適用規格 114-5206	SIZE A3
FINISH 仕上		WEIGHT T1	CAGE CODE 00779
		CUSTOMER DRAWING	DRAWING NO 番号 C-353046
			SCALE 尺度 2-1
			SHEET 1 OF 1
			REV D