



11-PIN
INDUSTRIAL
RELAYS
HR704C

Product designation

Product type designation

Contact characteristics

| | | | | |
|--|----|---------|------------|---------|
| Contact configuration | | | | 3 C/O |
| Rated insulation voltage U_i IEC/EN | V | | | 250 |
| Rated impulse withstand voltage U_{imp} | kV | | | 6 |
| IEC Conventional free air thermal current I_{th} | A | | | 10 |
| Rated current (I_n) | A | | | 10 |
| Relay control voltage | V | | | 24VAC |
| Rated operating power AC-1 | | | VA | 2500 |
| Rated operating power AC-15 | | 230 VAC | VA | 500 |
| Single-phase motor control | | 230VAC | kW | 1.2 |
| Rated operating current DC-1 | | 30V | A | 10 |
| Minimum switching load | | | V / mA | 5 / 100 |
| Contact impedance | | | m Ω | 100 |
| Contact material | | | | Ag/Ni |

Operating times

| | | | | |
|---------|----|--|--|-----|
| Closing | ms | | | <30 |
| Opening | ms | | | <30 |

Operations

| | | | | |
|---------------------|--|--|--------|---------|
| Mechanical life | | | cycles | 5000000 |
| Electrical life AC1 | | | cycles | 100000 |

Coil characteristics

| | | | | |
|-------------------------------------|----|--|--|-----|
| Average coil consumption AC at 20°C | VA | | | 3 |
| Average coil consumption DC at 20°C | W | | | 1.5 |

Operating range

| | | | | |
|-------------------------|---------|---------|----------|----------|
| | Closing | % U_n | | 70...110 |
| | Opening | % U_n | | 20...55 |
| Maximum cycle frequency | | | cycles/h | 3600 |

Mechanical features

| | | | | |
|---|-----------|--|-----|---------------------|
| Max socket terminal tightening torque | | | Nm | 0.6 |
| Socket screw tightening tool (cross / flat blade) | | | | PH1 / 4.5mm |
| Conductor section | | | | |
| | AWG/Kcmil | | | |
| | | | min | 20 |
| | | | max | 14 |
| | IEC | | | |
| | | | min | mm ² 0.5 |
| | | | max | mm ² 2.5 |

Operating position

normal

Any

Fixing

On 35mm DIN rail and with screw

Ambient conditions

Temperature

Operating temperature

| | | |
|-----|----|-----|
| min | °C | -40 |
| max | °C | +55 |

Storage temperature

| | | |
|-----|----|-----|
| min | °C | -40 |
| max | °C | +70 |

Other features

Indication

Yes

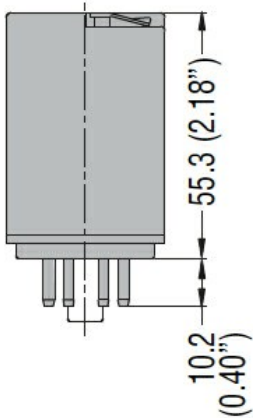
Mechanical contact position indicator

Yes

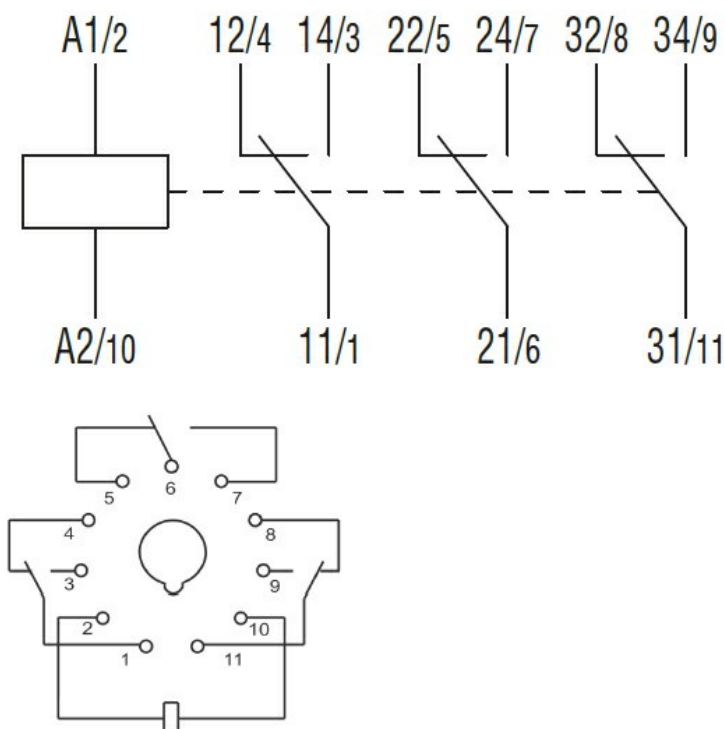
Mechanical test actuator

Yes

Dimensions



Wiring diagrams



Certifications and compliance

Compliance

IEC/EN 61810

Certificates

CSA

cURus

EAC

ETIM classification

ETIM 8.0

EC001437 -
Switching relay