

ATOM TF-CARD Kit

SKU:K044



Description

ATOM TF-CARD is an Atomic based TF-card(microSD) module.It has a self elastic TF card slot, which can support up to 16GB capacity TF cards. You can save important configuration files and user data in the program to TF card, or call these files at any time during the program operation. The use of TF card reading and writing module can greatly reduce the occupation of precious flash space by external resource files.

Product Features

- Compatible with ATOM Matrix/ ATOM Lite
- Up to 16G TF card
- FAT/FAT32 format
- Self elastic TF-card (microSD) slot

Include

- 1x ATOM TF-CARD
- 1x ATOM Lite
- 1x M2 HEX Key
- 1x M2*3mm Hexagon self tapping screw
- 1x M2*8mm Hexagon socket cup head machine screw
- 1x 18cm TYPE-C Cable

Application

- Data saving
- File reading and writing
- Logging
- Self elastic slot

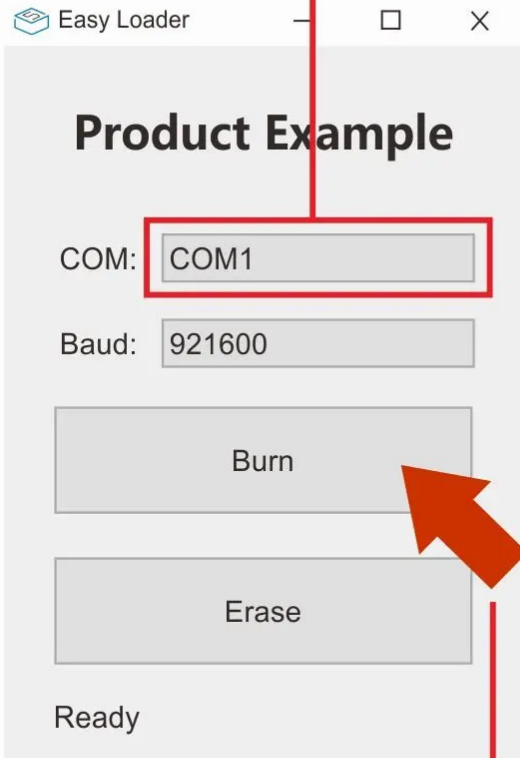
Specification

Specification	Parameter
Support type	16G FAT/FAT32 MicroSD
Net weight	23g
Gross weight	33g
Product size	24*48*18mm
Package size	54*54*20mm

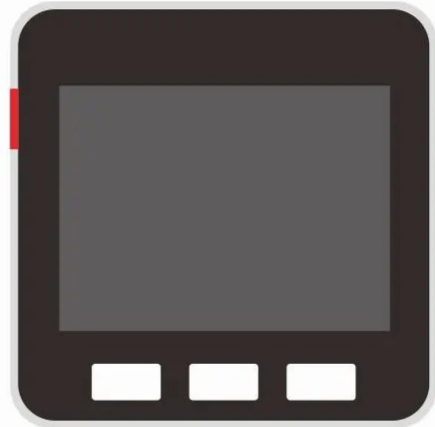
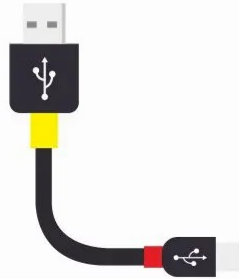
EasyLoader

EasyLoader is a concise and fast program writer, which has a built-in case program related to the product. It can be burned to the main control by simple steps to perform a series of function verification. Please install the corresponding driver according to the device type. M5Core host [Please click here to view the CP210X driver installation tutorial](#), M5StickC/V/T/ATOM series can be used without driver)

2, Select COM



1, Downloads



Core \ M5StickC \ M5StickV...

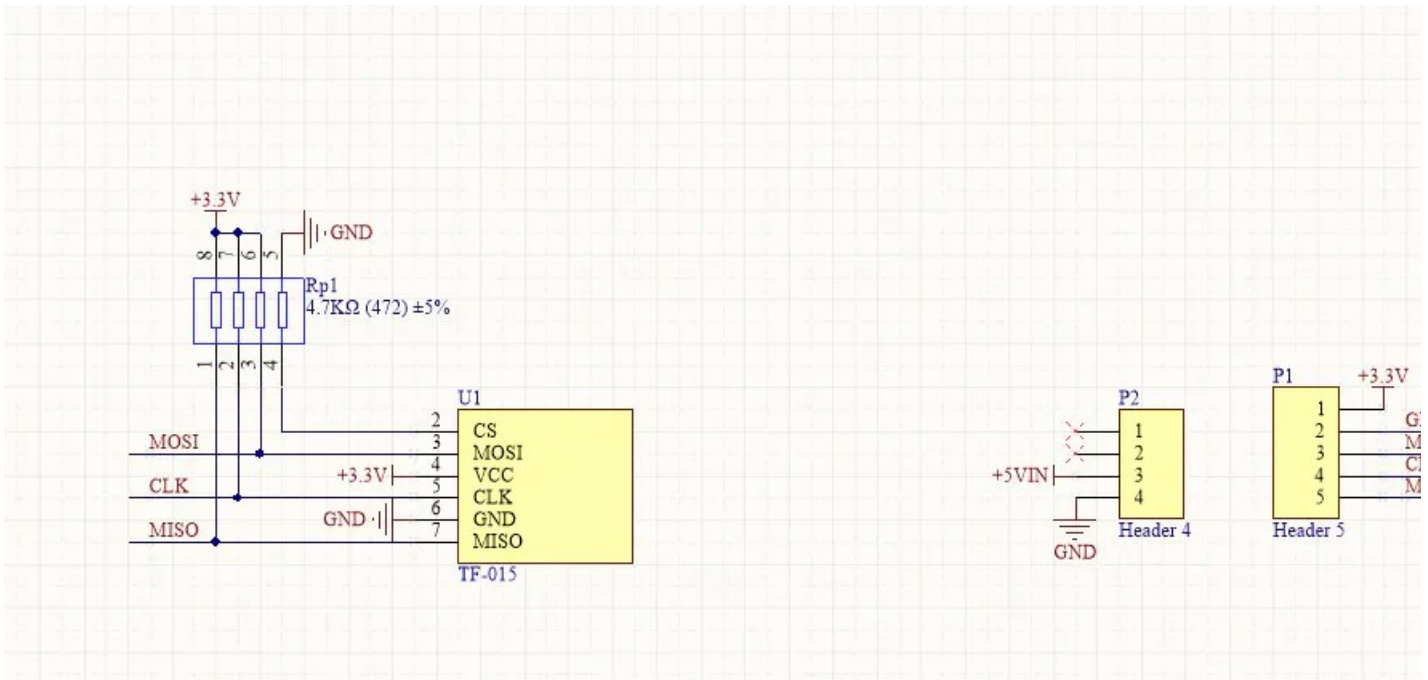
3, Burn Firmware

Windows MacOS

PinMap

ATOM	GPIO19	GPIO23	GPIO33
ATOM TF-CARD	MOSI	CLK	MISO

| Schematic



Example

1. Arduino

- [Click here to download the Arduino example](#)