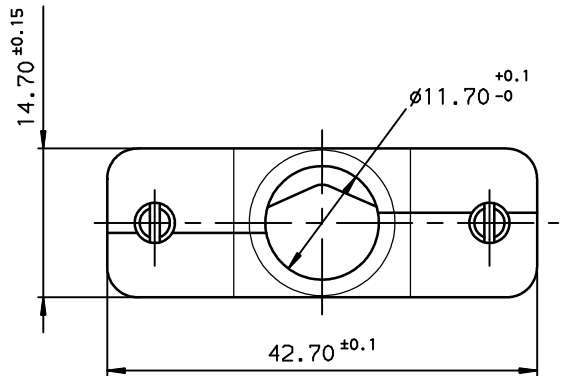
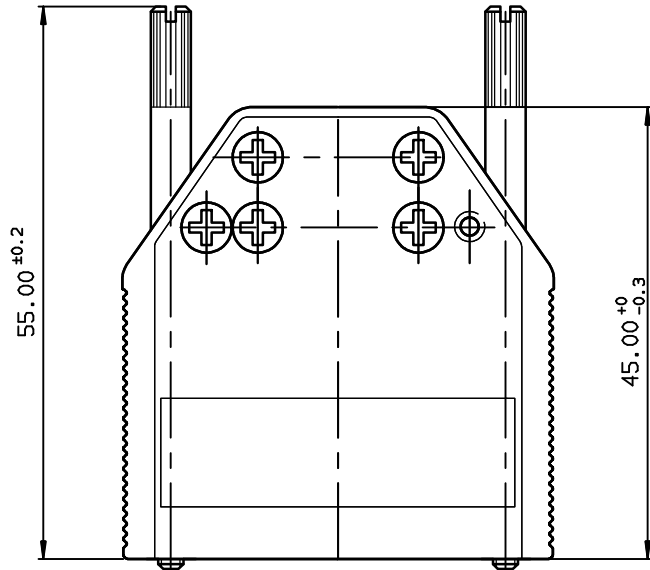
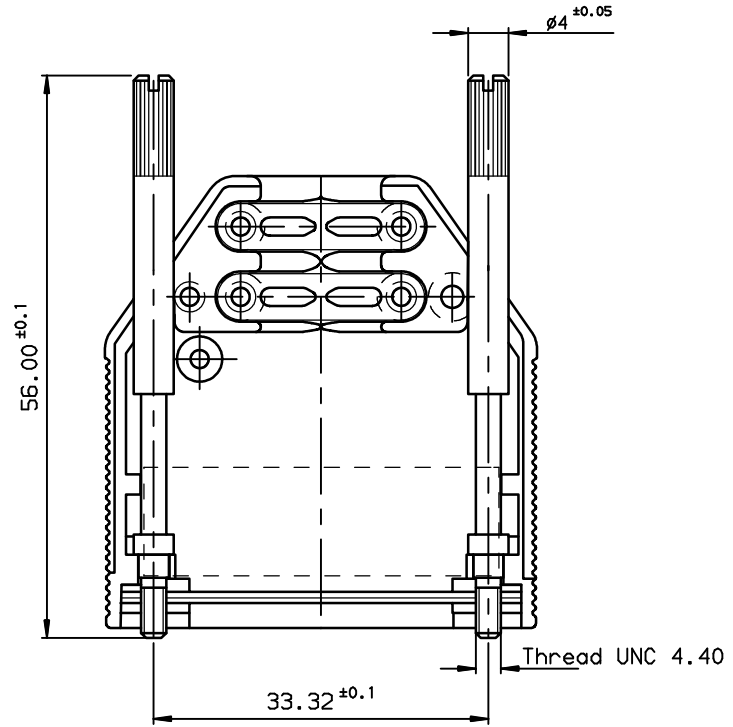




Copyright FCI.



INSIDE VIEW



Core range		
PART NUMBER	8655MH1511	PACKAGING: per 1 piece

FOR STANDARD AND APPLICATION SPECIFIC PART NUMBER SEE SHEET 2.

European Views

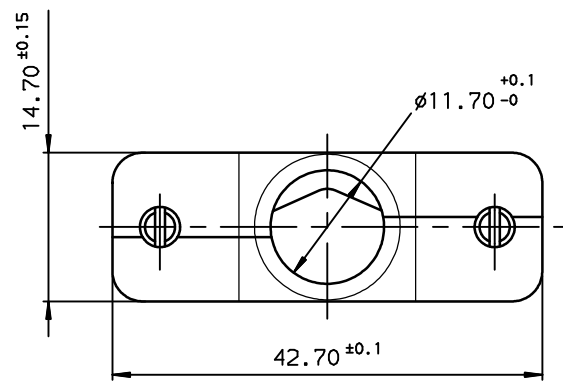
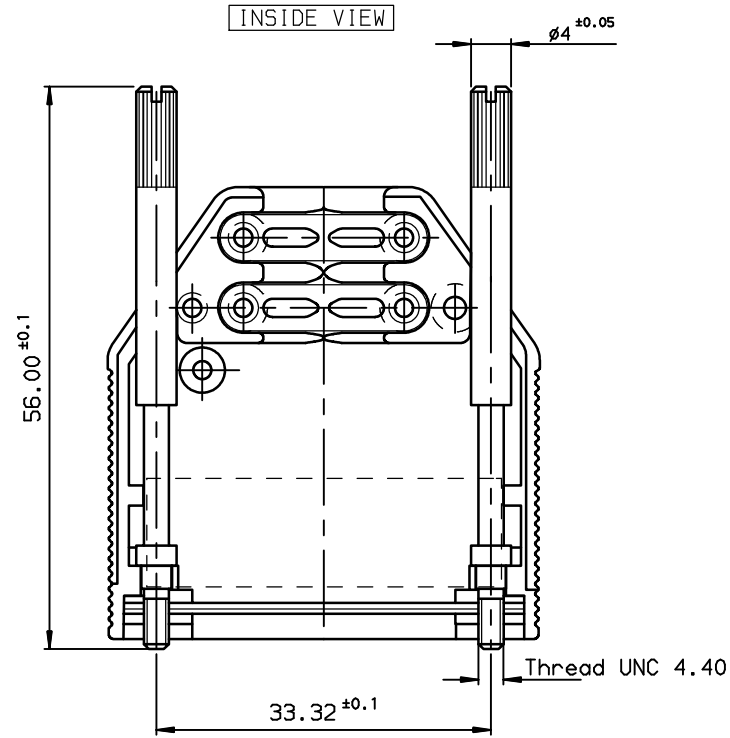
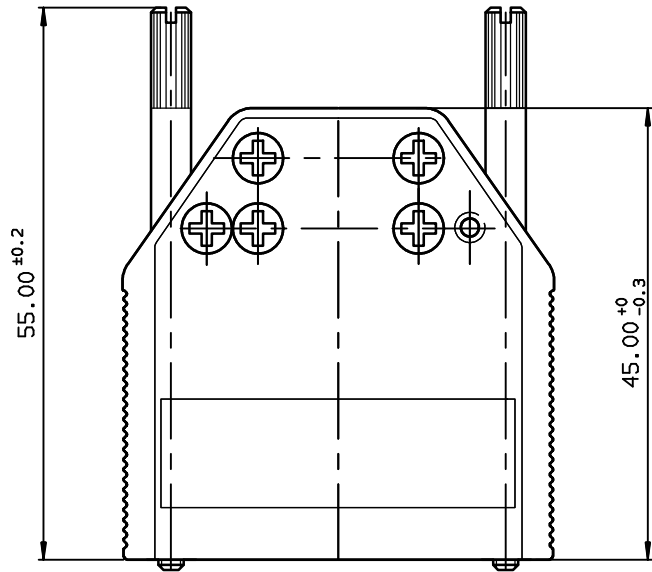
www.fciconnect.com		surface ISO 1302 ✓	tolerance std ISO 406 ISO 1101	projection 	mm ↔
TOLERANCES UNLESS OTHERWISE SPECIFIED					
Dr	JARRY	1991/09/02	ANGULAR	0.x	±0.1
Eng	PESSON	1991/09/02	LINEAR	0.xx	±0.1
Chr	LEGARE	1991/09/02	0.xx' ±2'	0.xxx	±0.1
Appr	LEGARE	1991/09/02	Product family	D-SUB	Spec ref -
title SHIELDED HOODS -TWO PARTS HOODS (Shell size 15)			part no C01-8655-0626-1		Rev. G
catalog no			CUSTOMER sheet 1 of 1		

rev	ecn no	dr	date
D	-	JAR	2002/08/12
E	LS05-0026	MPE	2005/07/08
F	LS05-0084	MPE	2005/09/29
G	LS06-0095	LGO	2006/07/24
-	-	-	-
-	-	-	-
-	-	-	-

REV F - 2006-04-17



Copyright FCI.



Pull Parts		
PART NUMBER	8655MH1501	PACKAGING: per 80 pieces

rev	ecn no	dr	date
D	-	JAR	2002/08/12
E	LS05-0026	MPE	2005/07/08
F	LS05-0084	MPE	2005/09/29
G	LS06-0095	LGO	2006/07/24
-	-	-	-
-	-	-	-
-	-	-	-

www.fciconnect.com		surface ISO 1302 ✓	tolerance std ISO 406 ISO 1101	projection mm
TOLERANCES UNLESS OTHERWISE SPECIFIED		ANGULAR	LINEAR	size A3
Dr	JARRY	1991/09/02	0.X	±0.1
Eng	PESSON	1991/09/02	0.XX	±0.1
Chr	LEGARE	1991/09/02	0.XXX	±0.1
Appr	LEGARE	1991/09/02	Product family	D-SUB
title SHIELDED HOODS -TWO PARTS HOODS (Shell size 15)		drawing no C01-8655-0626-2		Rev. G
catalog no		CUSTOMER sheet 1 of 1		

REV F - 2006-04-17