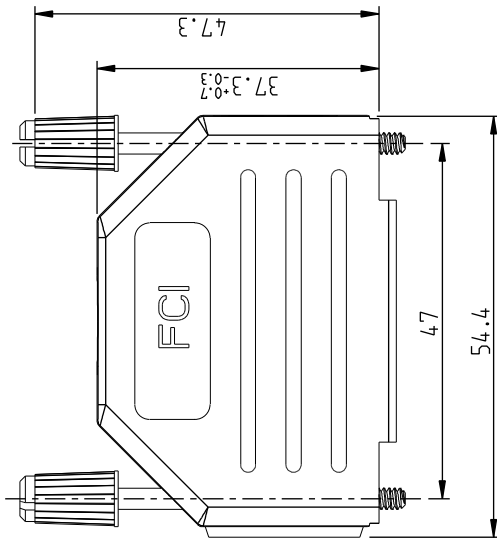
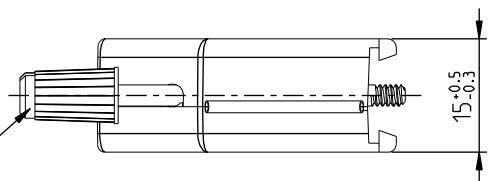


SIZE	Part Num.	Threading	Jackscrew colour
25	86303639BLF	UNC 4.40	black
	86303644BLF	M3	grey
	86303644B100LF	M3	grey

See table for colour coding



NOTES:

Material: Nylon (UL94V-2)

Cable strain relief: Cable clamp with Self-taping screws

Temperature range: -40°C to 95°C

Cable diameter: 4.0 to 11.0mm

Jackscrew colour: black for 4.40 UNC } grey for M3.0

Packaging: - Part Num. ending BLF = Box of 100 individual sets.

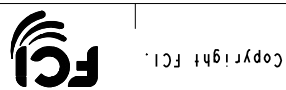
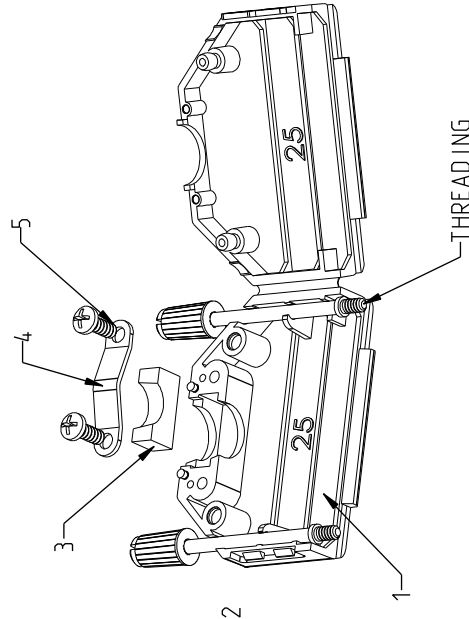
- Part Num. ending B100LF = Box of bulk components in plastic bags (see quantity on the table).

Cable clamp screwing force (max): 70 Ncm

Jack screws screwing force (max): 50 Ncm

- The "LF" product meets European Union Directives and other country regulations as described in GS-22-008.
- The product is not intended to be exposed to a manufacturing solder process.
- packaging spec; see GS-14-920.

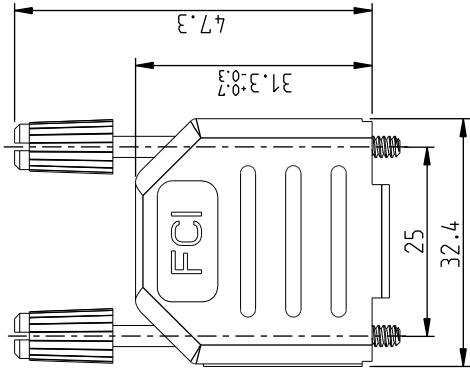
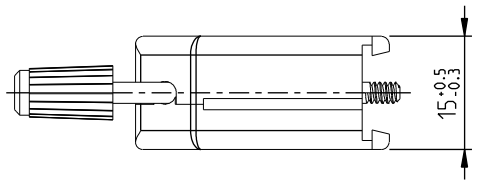
DESIGNATION	REP	Qty per set	Qty per bulk
BACKSHELL	1	1	100
JACKSCREWS	2	2	200
GROMMET	3	1	100
CABLECLAMP	4	1	100
SCREWS POZIDRIVE	5	2	200



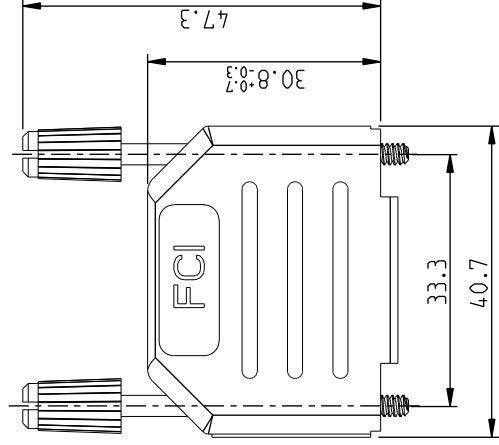
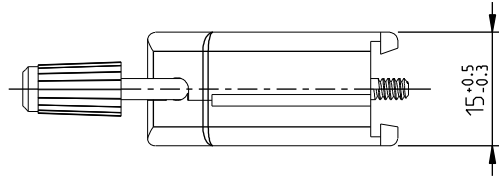
www.fciconnect.com		surface ISO 1302	tolerance std ISO 406	ISO 1101	projection	mm
		TOLERANCES UNLESS OTHERWISE SPECIFIED				
Dr	GOISNARD L	2004.03.22	ANGULAR	L INEAR	size A3	Scale 3:2
Eng	PESSON M	2004.03.22	0.X	0.XX	±/	F10-0083
Chr	LEGARE P	2004.03.22	0°	±/	±/	
Appr	LEGARE P	2004.03.22	Product family	D-SUB HOODS	Spec ref	
FCI logo		D-SUB PLASTIC SHELLS		10061215C		Rev. E
catalog no		STRAIGHT SNAP-TOGETHER		see tables		CUSTOMER sheet 1 of 3

rev	ectn no	dr	date
A	LS05-0086	LGO	2005/10/10
B	LS06-0084	LGO	2006/06/20
C	LS08-0155	MPE	2008/06/27
D	F09-0223	LSA	2009/11/24
E	F10-0083	LSA	2010/08/04
-	-	-	-
-	-	-	-

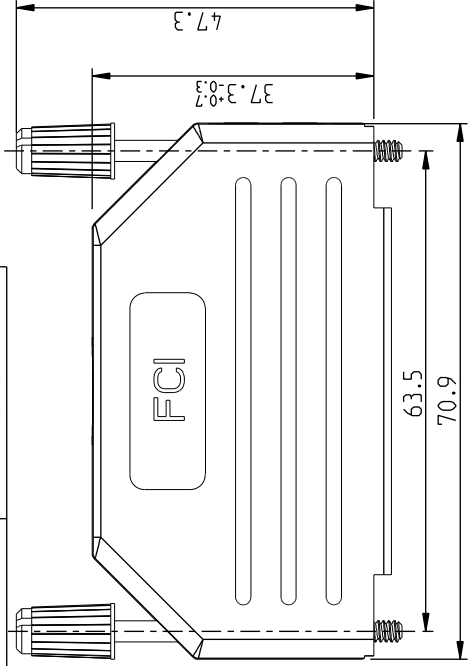
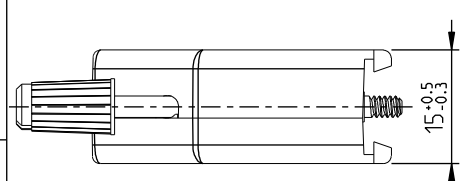
SIZE	Part Num.	Threading	Jackscrew colour	Packaging box
9	86303637BLF	UNC 4.40	Black	Individual sets
	86553329BLF	M3	Grey	Individual sets
	86553329B100LF	M3	Grey	Individual bulks



SIZE	Part Num.	Threading	Jackscrew colour	Packaging box
15	86303638BLF	UNC 4.40	Black	Individual sets
	86553330BLF	M3	Grey	Individual sets
	86553330B100LF	M3	Grey	Individual bulks



SIZE	Part Num.	Threading	Jackscrew colour
37	86303640BLF	UNC 4.40	black
	86303645BLF	M3	grey
	86303645B100LF	M3	grey

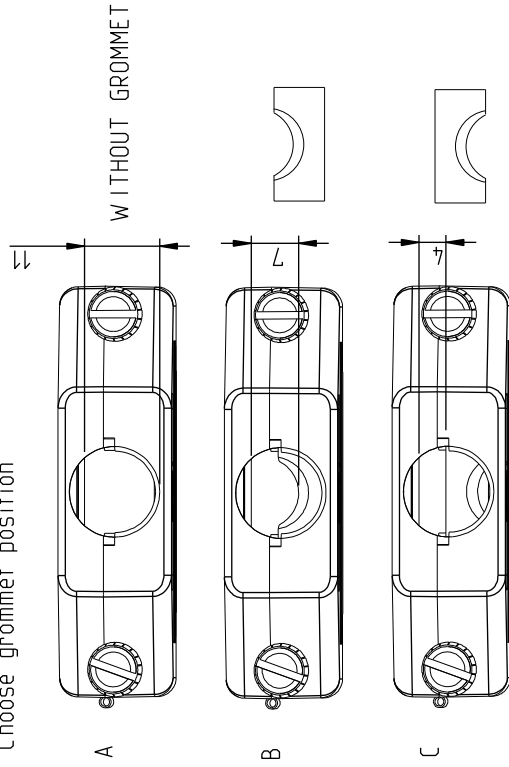


Copyright FCI

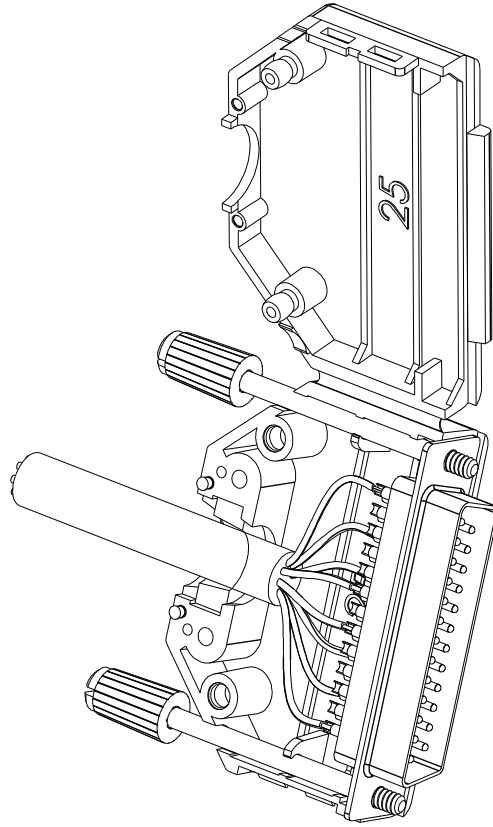
www.fciconnect.com		surface ISO 1302	tolerance std ISO 406	projection	mm
Dr GOISNARD L	2004.03.22	TOLERANCES UNLESS OTHERWISE SPECIFIED	ISO 1101	⊕	
Eng PESSON M	2004.03.22	0.X	±/	size A3	Scale 1:1
Chr LEGARE P	2004.03.22	0.XX	±/	ECN F10-0083	
Appr LEGARE P	2004.03.22	0.XXX	±/	Product family D-SUB HOODS	Spec ref -
FCI logo		D-SUB PLASTIC SHELLS		Rev. 10061215C	
STRAIGHT SNAP-TOGETHER		see tables		CUSTOMER sheet 2 of 3	
catalog no		4		E	

# CABLING INSTRUCTIONS

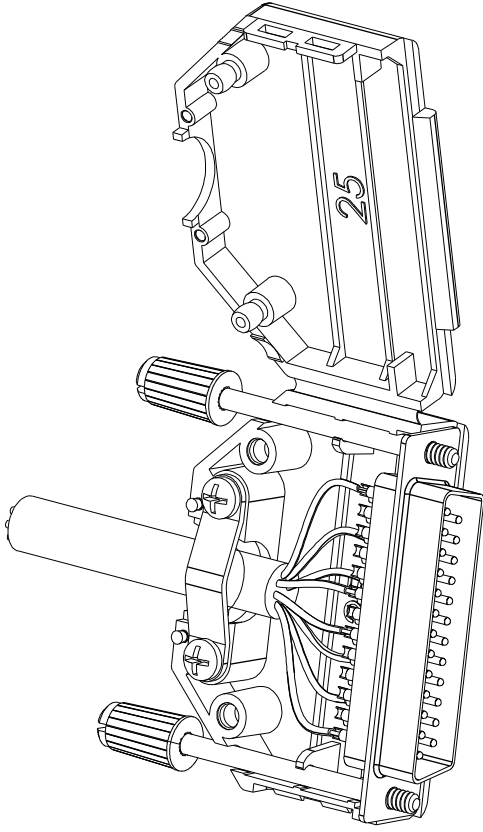
1- Choose grommet position



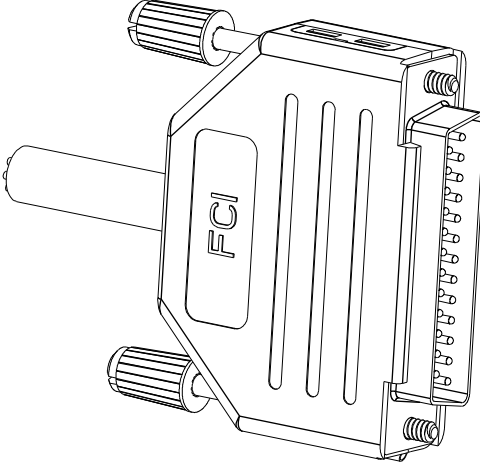
2- Mount connector and cable inside



3- Mount cableclamp and screws



4- Close the backshell and click together



Copyright FCI

www.fciconnect.com		surface ISO 1302	tolerance std ISO 406	ISO 1101	projection	mm
TOLERANCES UNLESS OTHERWISE SPECIFIED		ANGULAR	LINEAR	0.X	0.XX	0.XXX
Dr	GOISNARD L	2004.03.22	±/	±/	size	A3
Eng	PESSON M	2004.03.22	0°	±/	ECN	F10-0083
Chr	LEGARE P	2004.03.22	Product family		D-SUB HOODS	
Appr	LEGARE P	2004.03.22	D-SUB HOODS		Spec ref	
FCI logo		D-SUB PLASTIC SHELLS		10061215C		Rev. E
STRAIGHT SNAP-TOGETHER		see tables		CUSTOMER		sheet 3 of 3
catalog no		3		4		