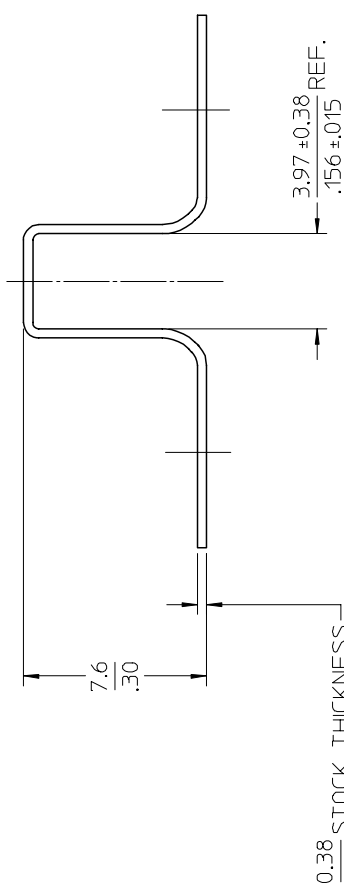
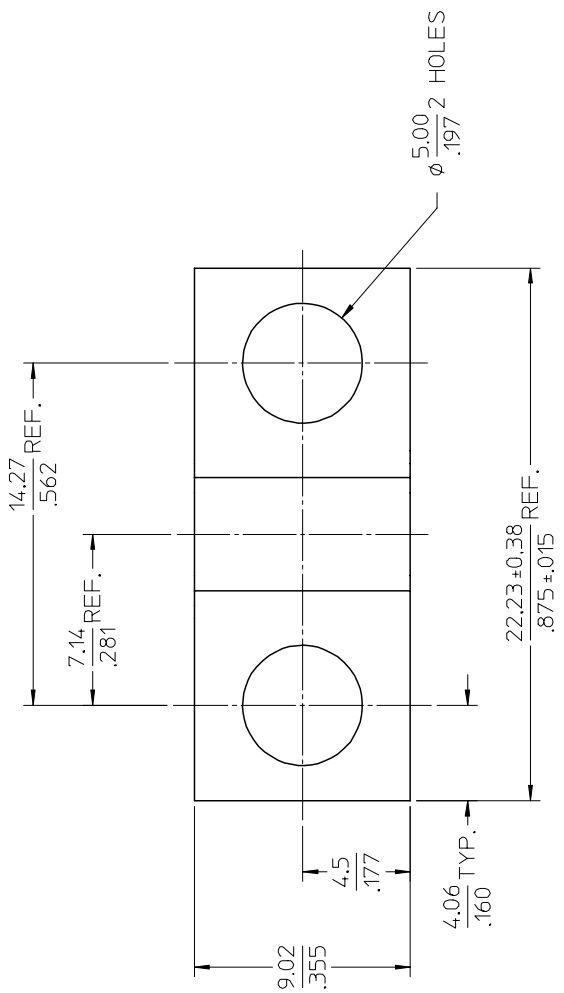
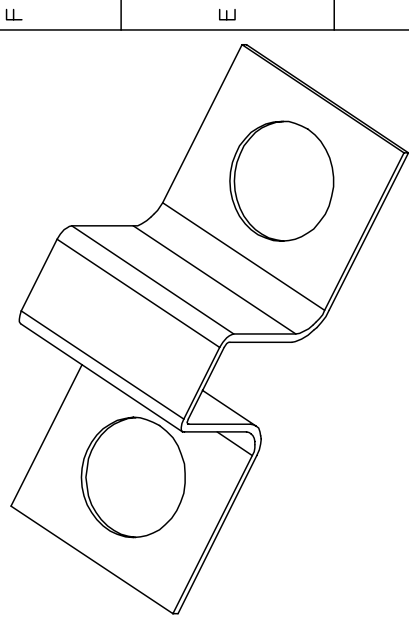


10 9 8 7 6 5 4 3 2 38002



NOTES:

1. MATERIAL: SEE TABLE
2. FINISHES: SEE TABLE
3. PRODUCT SPECIFICATION: NOT REQUIRED
4. PACKAGING: NOT REQUIRED
5. MATES WITH: 21, 22, AND 26 SERIES BTS

QUALITY SYMBOLS	▲ = 0	△ = 0	GENERAL TOLERANCES (UNLESS SPECIFIED)	SCALE	DESIGN UNITS	THIRD ANGLE PROJECTION	REVISE ON CAD ONLY
			mm INCH	5:1	INCH		
DESCRIPTION		DRAFT WHERE APPLICABLE MUST REMAIN WITHIN DIMENSIONS		DIMENSION STYLE		TITLE	
APP: ROBERT S2004/03/18		ANGULAR ± 2 °		MM/IN		JUMPER TERMINAL, HOLE TYPE	
CHKD: RSTONE 2004/03/17		4 PLACES ± .0015		DRAWN BY		MATERIAL NO.	
DRM: YORR 2004/03/17		3 PLACES ± 0.038 ± .005		C. YORK 2004/03/11		MOLEX INCORPORATED	
EC NO: NE02004-0562		2 PLACES ± 0.13 ± .01		CHECKED BY		DOCUMENT NO.	
		1 PLACE ± 0.3 ± .---		R.STONE 2004/03/16		SEE CHART SD-38002-037	
		ANGULAR ± 2 °		APPROVED BY		SHEET NO. 1 OF 1	
		MUST REMAIN WITHIN DIMENSIONS		GHR 2004/03/17		THIS DRAWING CONTAINS INFORMATION THAT IS PROPRIETARY TO MOLEX INCORPORATED AND SHOULD NOT BE USED WITHOUT WRITTEN PERMISSION	

38002-0358	JUMPER TERM. HOLE TYPE	BRASS	NICKEL PLATED
MATERIAL NO.	DESCRIPTION	MATERIAL	FINISH

rev. B1 2000/08/01