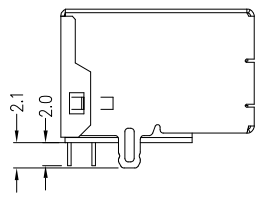
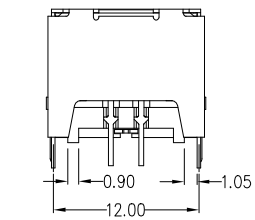
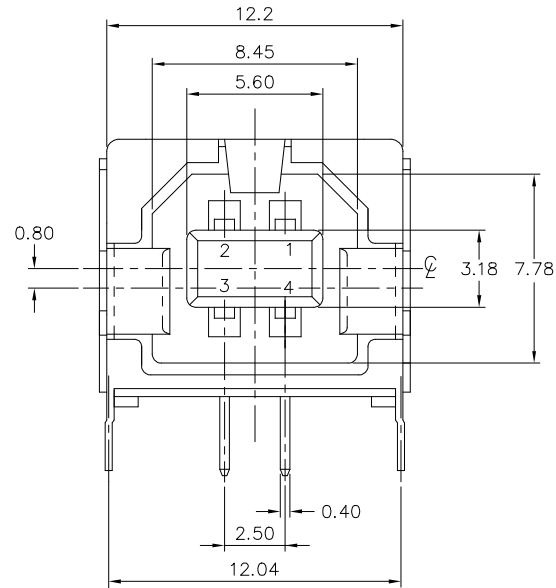
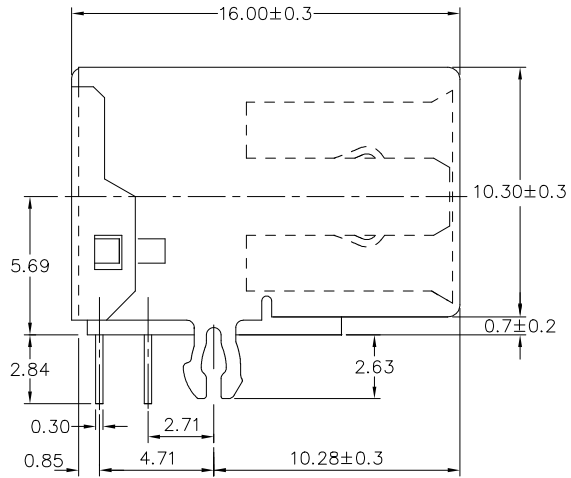
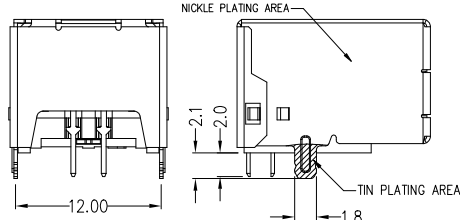


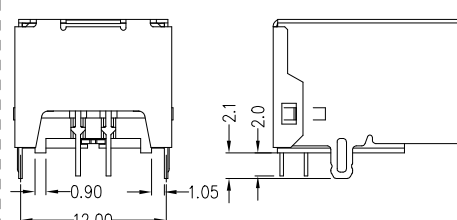
PRODUCT NO.
61729-*



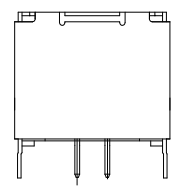
TYPE "4" PARTIAL BACK WITH SHORT SOLDER TAIL, SHELL TAIL AND SPECIAL HOUSING FOR PIP PROCESS 61729-XXWXL



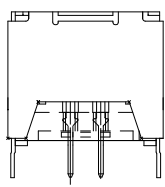
TYPE "5" PARTIAL BACK WITH SHORT SOLDER TAIL, SHORT SHELL TAIL AND SELECTED MATTE TIN SHELL FOR PIP PROCESS 61729-XXTXL



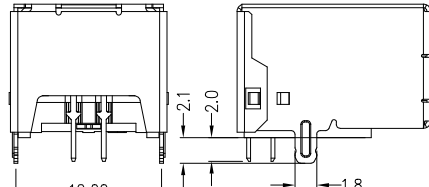
TYPE "6" PARTIAL BACK WITH SHORT SOLDER TAIL, SHORT SHELL TAIL, SPECIAL HOUSING, AND FULL MATTE TIN SHELL FOR PIP PROCESS 61729-XXVXL



TYPE "1" FULL BACK



TYPE "2" PARTIAL BACK



TYPE "3" PARTIAL BACK WITH SHORT SOLDER TAIL AND SHELL TAIL FOR PIP PROCESS 61729-XXQXL

mat'l. code		surface ISO 1302 ✓		tolerance ISO 406 ISO 1101		projection 110°		product family HPL 511 USB2.0		
ltr ecn no dr date		tolerances unless otherwise specified		linear		mm		title		
AA	ELX-N-34768-1	YY	09/19/19	angles	0.0±0.30			USB RECEPTACLE B TYPE		
AB	ELX-N-37746-1	YY	03/09/21	0°±2°	0.00±0.20					
AC	ELX-N-40307-1	YY	03/09/21	dr	0.000±0.10	scale 1:1				
AD	ELX-N-45469-1	TY	07/22/22	engr	Yuan-Yuan Bao	07/22/22			sheet 1 of 3 size	
X	ELX-N-29556	LZ	03/09/18	chr	Tian-Yu.Tang	07/22/22			61729 A3	
Y	ELX-N-32780	YY	02/26/19	appd	Li-Qing Lei	07/22/22			type Product Customer Drawing	
sheet index	revision sheet									

Amphenol FCI

© 2016 AFCI

1

2 3

4

5

6

P.C. BOARD LAYOUT
STYLE 1 APPLY FOR TYPE 1 & 2

P.C. BOARD LAYOUT
STYLE 2 APPLY FOR TYPE 3

NOTES:

- MATERIAL:
SHIELD & CONTACTS: COPPER ALLOY
HOUSING: UL 94V-0 ,HIGH TEMPERATURE THERMOPLASTIC.
COLOR: SEE PRODUCT NUMBER CODE.
- PLATING: SEE PRODUCT NUMBER CODE.
SHIELD: BRIGHT TIN, NICKEL UNDERPLATE(USED FOR WAVE SOLDER PROCESS),
PLATING NICKEL ONLY(USED FOR PIP PROCESS).
- DATUMS & BASIC DIMENSIONS TO BE DETERMINED BY CUSTOMER
- RECOMMENDED BOARD THICKNESS IS 1.57 mm (.062)
- PACKING STANDARD GS-14-920 WILL BE APPLIED FOR LEAD FREE P/N'S
- FOR LEAD FREE P/N, THE PRODUCT MEET EUROPEAN UNION DIRECTIVES AND OTHER COUNTRY REGULATION AS DESCRIBED IN GS-22-008
- FOR LEAD FREE P/N'S, THE HOUSING WILL WITHSTAND EXPOSURE TO 260°C PEAK TEMPERATURE FOR 10 SECONDS IN A CONVECTION, INFRO-RED OR VAPOR PHASE REFLOW OVEN.
- THE PART CAN BE USED FOR PIP PROCESS.

mat'l. code		surface ISO 1302 ✓		tolerance ISO 406 ISO 1101		projection		product family	
ltr		ecn no		dr		date		HPL 511 USB2.0	
AD				tolerances unless otherwise specified		mm		title	
				0.0±0.30		mm		USB RECEPTACLE B TYPE	
				0.00±0.20		scale 1:1		dwg no	
				0.000±0.10		Amphenol FCI		sheet2 of 3	
				dr Yuan-Yuan Bao 07/22/22				size	
				engr Tian-Yu.Tang 07/22/22				A3	
				chr Li-Qing Lei 07/22/22				61729	
				appd Tim Yao 07/22/22				type Product Customer Drawing	
sheet index		revision sheet							

PDS: Rev :AD

STATUS:Released Printed: Aug 14, 2022

5

6

Downloaded from Arrow.com

1

2

3

5

6

Amphenol FCI

© 2016 AFCI

PRODUCT NUMBER CODE:

61729 - X X X X P S LF

BASE PRODUCT NUMBER

HOUSING COLOR OPTION

- 0 - WHITE
- 1 - BLACK

HALOGEN OPTION

- 0 - WITH HALOGEN
- 1 - HF (HALOGEN FREE)

SHIELD OPTION

- 1 - FULL BACK:
 - 50u" NI UNDERPLATED
 - 100u" PURE BRIGHT TIN OVER-ALL
- 2 - PARTIAL BACK:
 - 50u" NI UNDERPLATED
 - 100u" PURE BRIGHT TIN OVER-ALL
- 3 - FULL BACK (SPECIAL PLATING NI ONLY):
 - 50u" NI UNDERPLATED

- S - FULL BACK (SPECIAL MATERIAL FOR 12,000 DURABILITY CYCLES):
 - 50u" NI UNDERPLATED
 - 100u" PURE BRIGHT TIN OVER-ALL

- P - PARTIAL BACK (SPECIAL MATERIAL FOR 12,000 DURABILITY CYCLES):
 - 50u" NI UNDERPLATED
 - 100u" PURE BRIGHT TIN OVER-ALL

- Q - PARTIAL BACK WITH SHORT TAIL FOR TYPE 3:
 - 50u" NI UNDERPLATED
 - 100u" PURE BRIGHT TIN OVER-ALL

- W - PARTIAL BACK WITH SHORT TAIL AND SEPCIAL HOUSING FOR TYPE 4:
 - 50u" NI UNDERPLATED
 - 100u" PURE BRIGHT TIN OVER-ALL

- T - PARTIAL BACK WITH SHORT TAIL AND SELECTED MATTE TIN SHELL FOR TYPE 5:
 - 50u" NI UNDERPLATED
 - 100u" SELECTED MATTE TIN ON LEGS

- V - PARTIAL BACK WITH SHORT TAIL AND FULL MATTE TIN SHELL, AND SPECIAL HOUSING FOR TYPE 6:
 - 50u" NI UNDERPLATED
 - 100u" MATTE TIN OVER-ALL

LEAD FREE OPTION

ONLY FOR PANSONIC

DATE CODE OPTION
P - WITH DATE CODE
DEFAULT: WITHOUT DATE CODE

PACKAGING OPTION
B - TUBES
R - TAPE & REEL (REEL'S DIAMETER IS 600MM)
T - SPECIAL TAPE & REEL (REEL'S DIAMETER IS 380MM)

TERMINAL PLATING OPTION
0 - 50u" NI UNDERPLATED
30u" GXT CONTACT AREA
100u" PURE TIN TAIL AREA
1 - 50u" NI UNDERPLATED
30u" GOLD OR 30U" GXT CONTACT AREA
100u" PURE TIN TAIL AREA
2 - 50u" NI UNDERPLATED
GOLD FLASH CONTACT AREA
100u" PURE TIN TAIL AREA
3 - 50u" NI UNDERPLATED
30u" GOLD CONTACT AREA
100u" PURE TIN TAIL AREA



mat'l. code		surface	tolerance	projection	product family
		ISO 1302 ✓	ISO 406 ISO	110°	HPL 511 USB2.0
ltr	ecn no	dr	date	title	
AD				USB RECEPTACLE B TYPE	
		angles	linear	mm	
		0±2°	0.0±0.30	scale 1:1	
		dr	Yuan-Yuan Bao	07/22/22	Amphenol FCI
		engr	Tian-Yu.Tang	07/22/22	dwg no
		chr	Li-Qing Lei	07/22/22	sheet 3 of 3
		appd	Tim.Yao	07/22/22	size
					A3
sheet index		revision sheet			type Product Customer Drawing