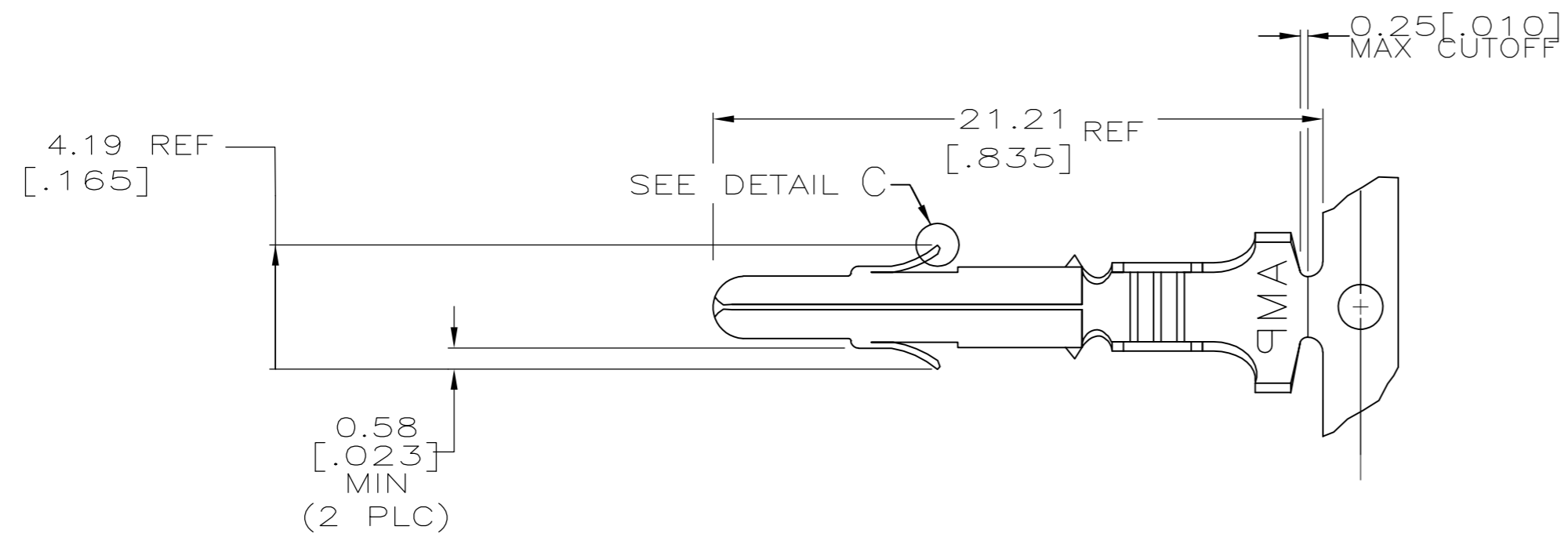
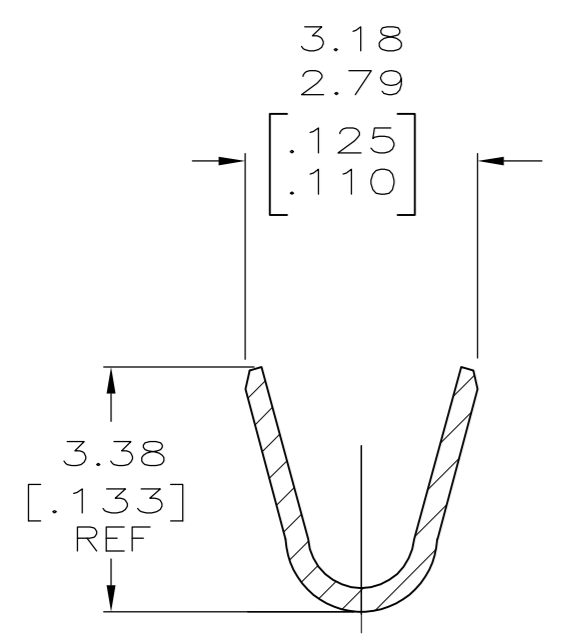
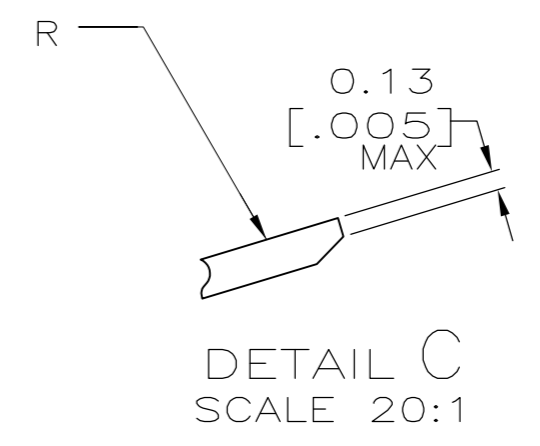
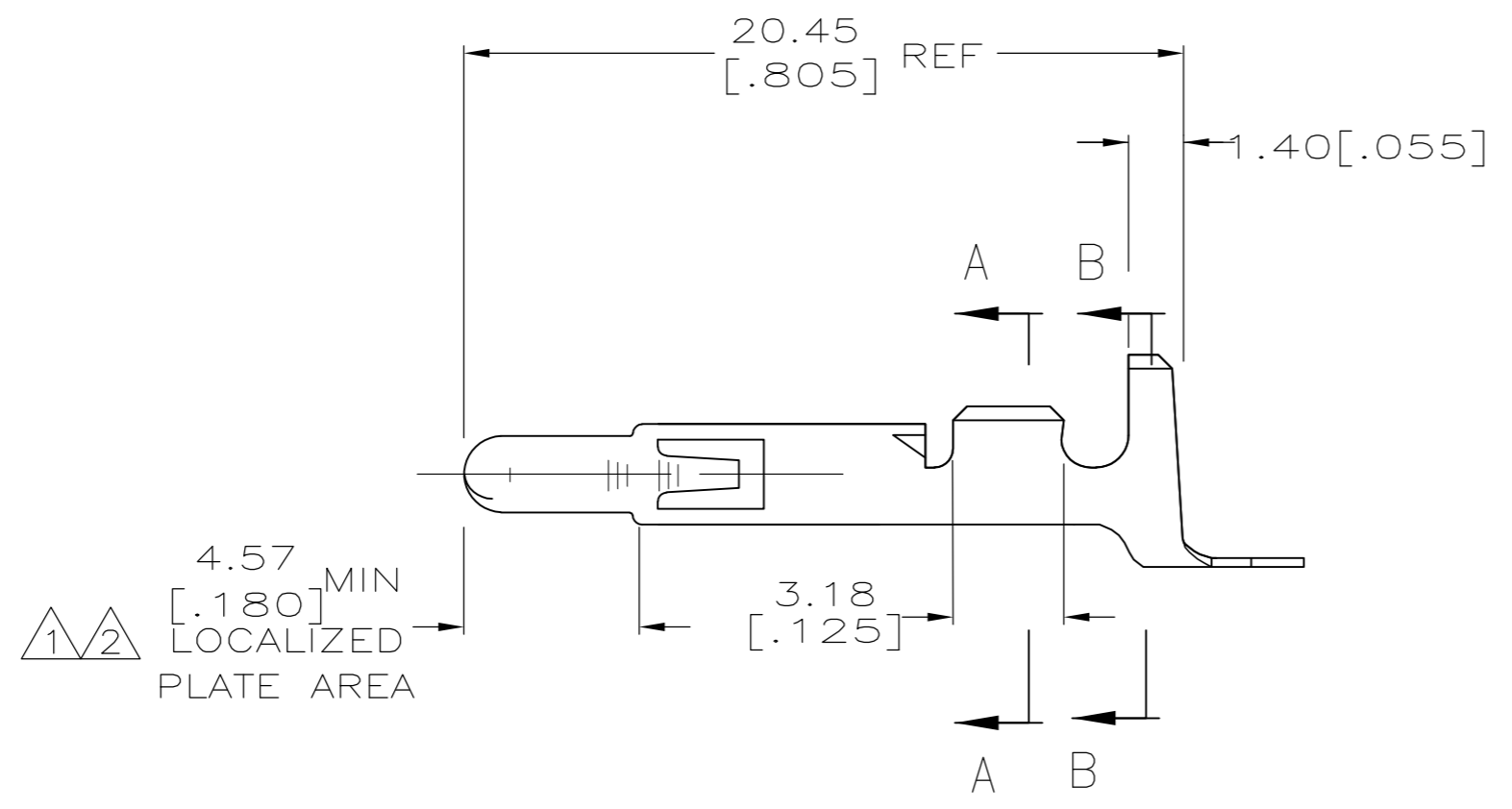
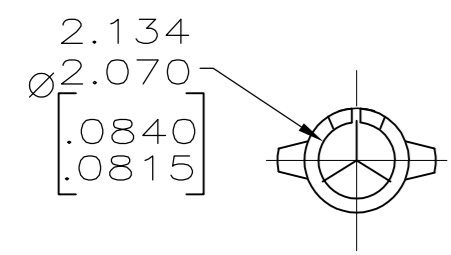


THIS DRAWING IS UNPUBLISHED. RELEASED FOR PUBLICATION
 © COPYRIGHT BY TYCO ELECTRONICS CORPORATION. ALL RIGHTS RESERVED.

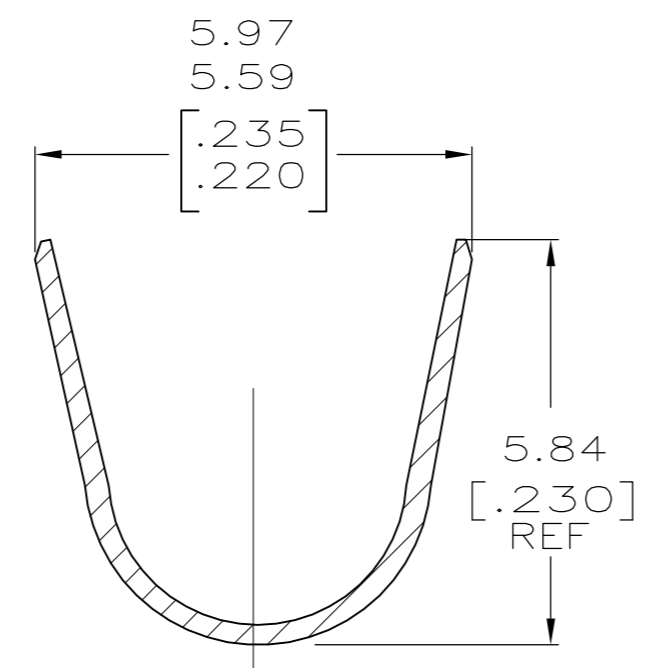
LOC	DIST	REVISIONS					
CM	00	P	LTR	DESCRIPTION	DATE	DWN	APVD
		AA1		ECO-07-014741	21JUN07	KW	DC



- 1 0.00076[.000030] MIN THK GOLD IN LOCALIZED PLATE AREA AND 0.000127[.000005] MIN THK GOLD FLASH ON REMAINDER OF CONTACT OVER 0.00127[.000050] MIN THK NICKEL UNDERPLATE.
- 2 0.00076[.000030] MIN THK GOLD IN LOCALIZED PLATE AREA OVER 0.00127[.000050] MIN THK NICKEL UNDERPLATE.
- 3. DIMENSIONS IN BRACKETS ARE IN INCHES.



SECTION A-A
SCALE 10:1



SECTION B-B
SCALE 10:1

LOOSE PIECE (REF)	FINISH	MATERIAL	PART NO
350552-7	GOLD 2	0.30 [.012] BRASS	350538-7
350552-6	GOLD 2	0.30 [.012] PH BZ	350538-6
350552-3	TIN	0.30 [.012] PH BZ	350538-3
350552-2	GOLD 1	0.30 [.012] BRASS	350538-2
350552-1	TIN	0.30 [.012] BRASS	350538-1

THIS DRAWING IS A CONTROLLED DOCUMENT.

DIMENSIONS: mm [INCHES]	TOLERANCES UNLESS OTHERWISE SPECIFIED: 0 PLC ± - 1 PLC ± - 2 PLC ± - 3 PLC ± 0.13[.005] 4 PLC ± - ANGLES ± -	DWN K. WHITAKER 16-FEB-04 CHK S. RIDGILL 16-FEB-04 APVD S. RIDGILL 16-FEB-04 PRODUCT SPEC APPLICATION SPEC WEIGHT -	NAME Tyco Electronics Corporation Harrisburg, Pa 17105-3608 PIN, UNIVERSAL MATE-N-LOK™
MATERIAL SEE TABLE	FINISH SEE TABLE	CUSTOMER DRAWING	SIZE A2 CAGE CODE 00779 DRAWING NO 350538 RESTRICTED TO -

SCALE 5:1 SHEET 1 OF 1 REV AA1

A/C BUSINESS GROUP 3323 177-34 RALPH VESTAL

350538