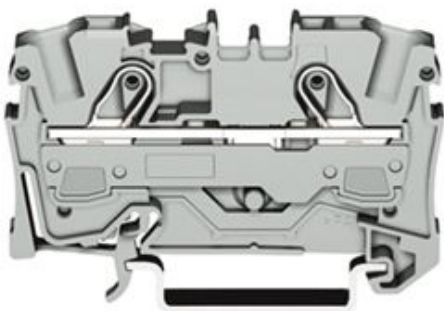

Item no.: 2010-1201
Product description: 2-Conductor through terminal block suitable for Ex e applications



Produkt kann von Bild abweichen / product may differ

Packing unit 25 pieces

RoHS compliant

| | |
|----------------------------------|--|
| Current intensity EN | 76 A |
| Product group | 22 (TOPJOB S RAIL-MOUNTED TERMINAL BLOCKS) |
| Cross section [mm ²] | 0.5 - 10 mm ² |
| Cross section [AWG] | 20 - 6 AWG |
| Connection method | CAGE CLAMP®S Connection |
| Cross section [mm ²] | 0.5 - 16 mm ² |
| Cross section [AWG] | 20 - 6 AWG |
| Wiring method | s + f-st |
| Connection method | CAGE CLAMP®S Connection |
| Measured voltage EN | 800 V |
| Measured shock voltage | 8 kV |
| Pollution degree | 3 |
| Current intensity EN | 57 A |
| Rated voltage EN (Ex e II) | 550 V |
| Nominal current (Ex e II) | 51 A |
| Weight | 16.9 g |
| Color | grey |
| Wiring type | Front-entry |

| | |
|--------------------------|---------|
| No. of connection Points | 2 |
| No. of potentials | 1 |
| Height | 37 mm |
| Height | 1.46 in |



| | |
|--------------------|-------------|
| Width | 10 mm |
| Width | 0.394 in |
| Depth | 68 mm |
| Depth | 2.68 in |
| Strip length from | 17 mm |
| Strip length to | 19 mm |
| Strip length | 0.71 in |
| Customs Tariff No. | 85369010 |
| Country of Origin | Deutschland |
| Mounting | TS 35 |



| Item number | Admission office | Approval no. | Voltage [V] | Current [A] | Cross section [mm ²] |
|-------------|------------------|-------------------|-------------|-------------|-----------------------------------|
| 2010-1201 | ABS | 05-HG476175/3-PDA | 800 | 57 | 0,5-16 |
| 2010-1201 | AEX | E185892 | 550 | 65 | 20-6 |
| 2010-1201 | CCA | NL6011 | 800 | 57/76 | 0,5-10/16 |
| 2010-1201 | CSA | 154112-1645436 | 600 | 65 | 20-6 |
| 2010-1201 | DNV | E-10423 | 800 | 41 | 0,5-6 |
| 2010-1201 | GL | 26187-05HH | 800 | 57 | 0,5-10 |
| 2010-1201 | KEMA | 2095948.02 | 800 | 57 | 0,5-16 |
| 2010-1201 | LR | 91/20112(E6) | 800 | 57 | 0,5-10 |
| 2010-1201 | PRS | TE/1718/880590/08 | 800 | 57 | 0,5-16 |
| 2010-1201 | PTB | IECEXPTB06.0003U | 550 | 51 | 0,5-16 |
| 2010-1201 | PTB | PTB05AteX1070U | 550 | 51 | 0,5-16 |
| 2010-1201 | RosTest | 8189158 | 550 | 51 | 0,5-16 |
| 2010-1201 | UR | E45172 | 600 | 65 | 20-6 |

Sorting criteria: admission office - approval number

© WAGO Kontakttechnik GmbH & Co. KG

Specifications are subject to changes and errors may be expected