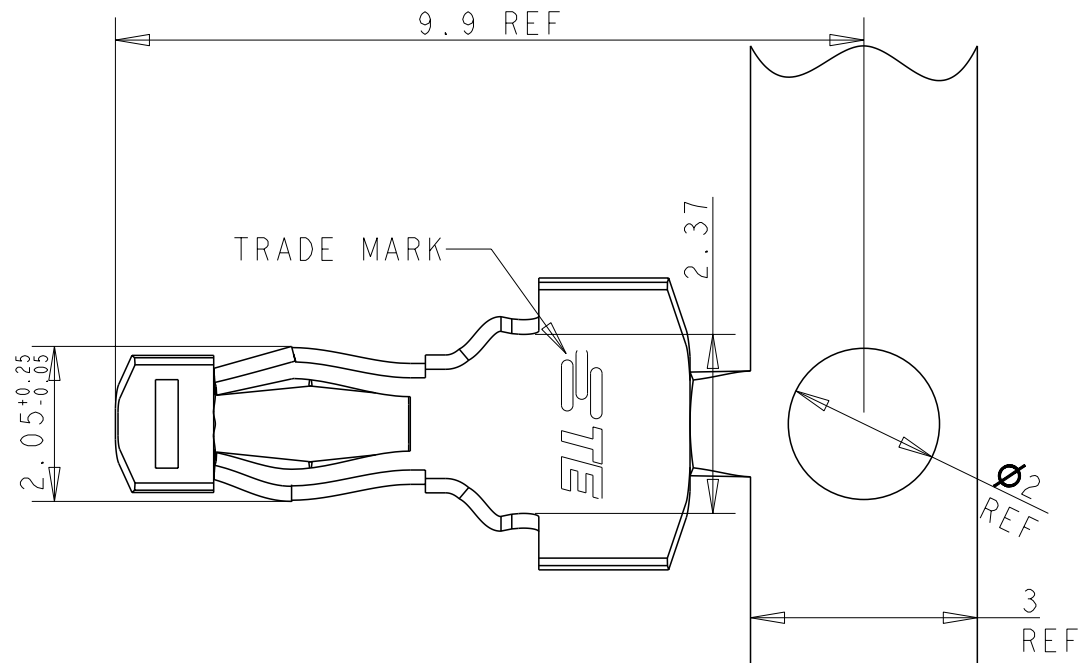
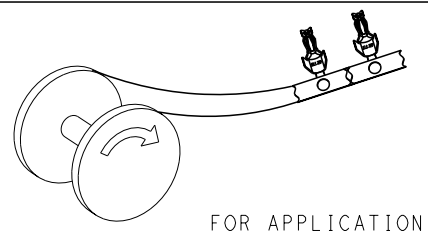
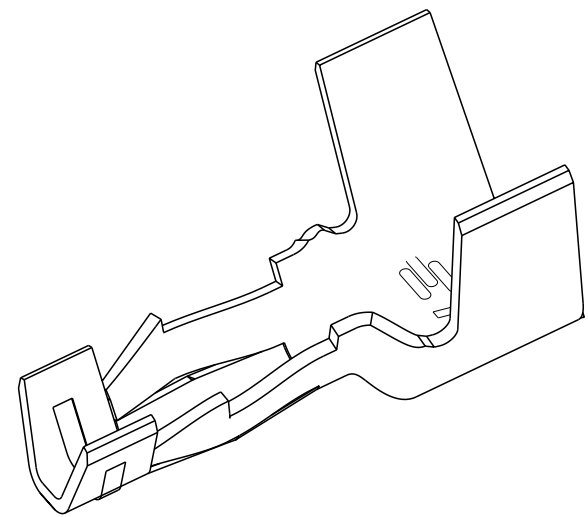
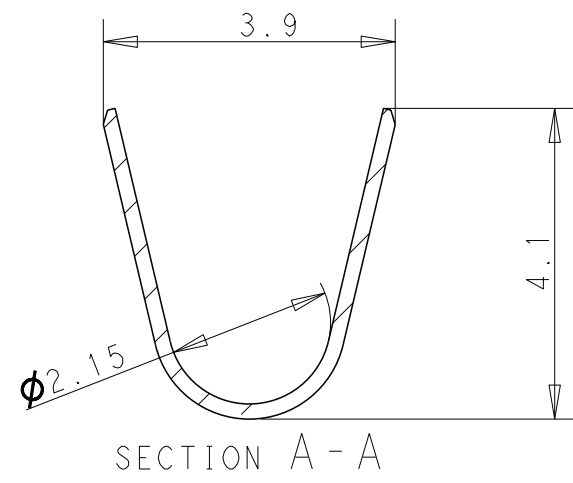
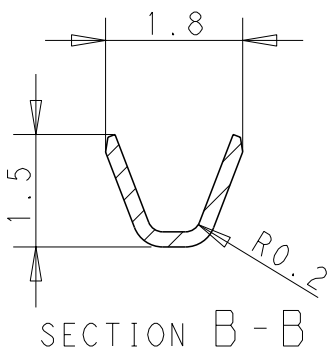
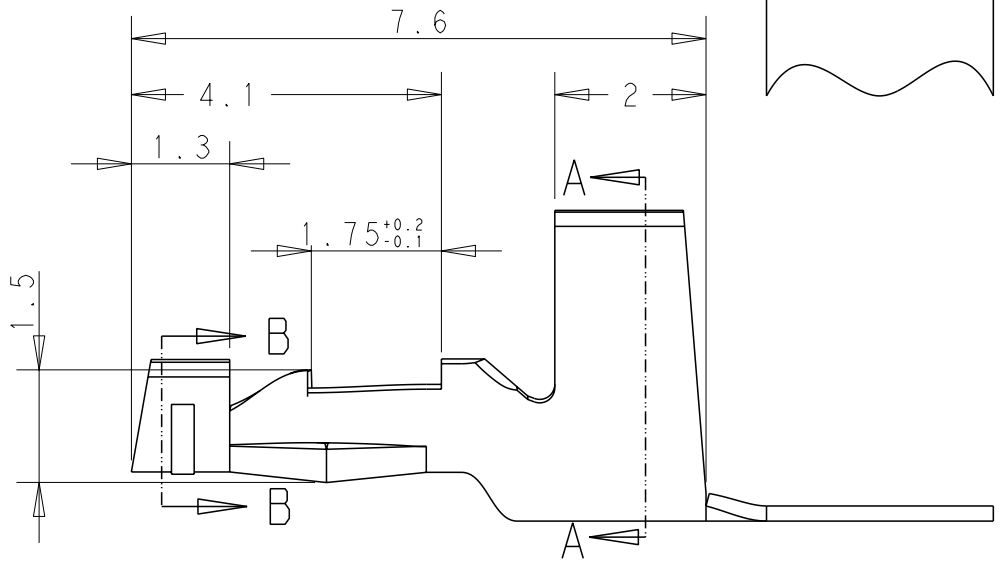


THIS DRAWING IS UNPUBLISHED. RELEASED FOR PUBLICATION 20  
 © COPYRIGHT 20 BY - ALL RIGHTS RESERVED.

REVISIONS					
P	LTR	DESCRIPTION	DATE	DWN	APVD
	A	INITIAL RELEASE	20FEB2023	M.G	D.Z



- 1. MATERIAL: COPPER ALLOY, PRE TIN
- 2. PACKAGE: REEL
- 3. APPLICATION FEED PITCH: 14MM
- 4. APPLICABLE WIRE: AWG26-22, INS DIA Ø1.02-2.5MM
- 5. RECOMMEND PCB HOLE DIA: Ø1.8-1.9MM
- 6. RECOMMEND PCB THICKNESS: 1.6±0.05MM



3500PC/BOX	2393261-1
PACKAGE QUANTITY	PART NUMBER

THIS DRAWING IS A CONTROLLED DOCUMENT.		DWN	M. GAO	26-09-2021	 TE Connectivity	NAME <b>BOARD-IN CONTACT</b> <b>S-TYPE</b>
DIMENSIONS: mm		CHK	L. CHEN	27-09-2021		
		APVD	D. ZHANG	28-09-2021		
TOLERANCES UNLESS OTHERWISE SPECIFIED: 0 PLC ±0.3 1 PLC ±0.3 2 PLC ±0.3 3 PLC ± 4 PLC ± ANGLES ±1°		PRODUCT SPEC	108-106642			
MATERIAL	1	FINISH	PRE TIN		APPLICATION SPEC	114-106642
		WEIGHT	0.122		SIZE	A3
		CUSTOMER DRAWING		SCALE	10:1	SHEET 1 OF 1
				RESTRICTED TO	-	
				REV	A	

printed on 20 Feb 2023 13:54 (China Standard Time) from TE315078