

VS-08-SD-F-BK

Order No.: 1658066

<http://catalog.phoenixcontact.net/phoenix/treeViewClick.do?UID=1658066>

Protective cover, IP67, flat design, to cover the contact insert in the panel mounting frame, color: black


Ethernet**Product notes**

WEEE/RoHS-compliant since:
06/20/2006



<http://www.download.phoenixcontact.com>
Please note that the data given here has been taken from the online catalog. For comprehensive information and data, please refer to the user documentation. The General Terms and Conditions of Use apply to Internet downloads.

Commercial data

EAN	 4 046356 144315
sales group	D510
Pack	5 Pcs.
Customs tariff	39269097
Gross weight in pieces	0.00358 KG
Net weight per piece	0.00346 KG
Catalog page information	Page 83 (C-2-2013)

Technical data**Mechanical characteristics**

Connection profile	RJ45
Locking type	Without
Color	black

Ambient conditions

Ambient temperature (operation)	-40 °C ... 80 °C
---------------------------------	------------------

Degree of protection	IP67
Material data	
Inflammability class according to UL 94	V0
Housing material	PA
Material	Plastic
Sealing material	EDPM, self-greasing
Seal material	EDPM, self-greasing

Certificates / Approvals

Certification

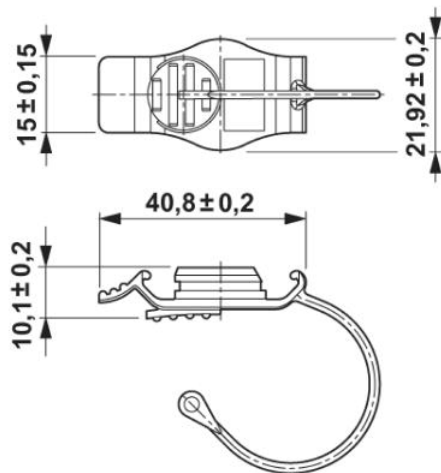
Certifications applied for:

Certification Ex:

Drawings

Dimensioned drawing

Protective cover, IP67



Address

PHOENIX CONTACT Deutschland GmbH
Flachmarktstr. 8
32825 Blomberg, Germany
Phone +49 5235 3 12000
Fax +49 5235 3 41200
<http://www.phoenixcontact.com>



© 2014 Phoenix Contact
Technical modifications reserved;